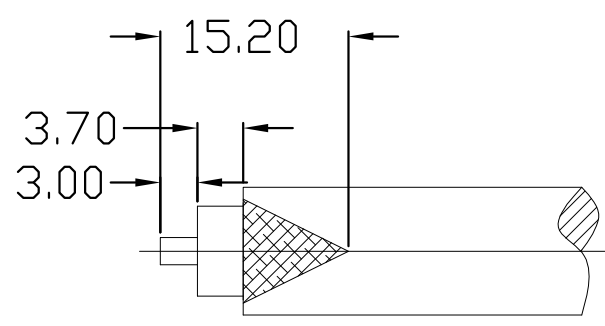
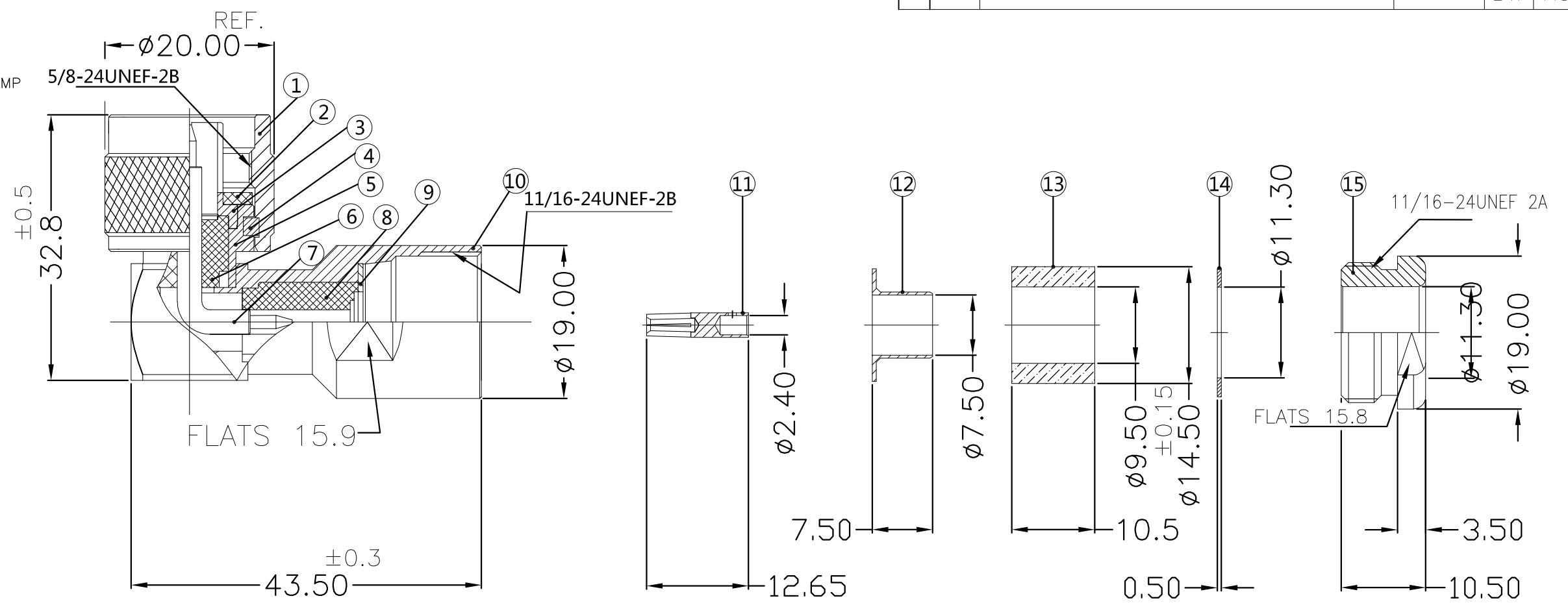


THIS DRAWING IS UNPUBLISHED. RELEASED FOR PUBLICATION
 © COPYRIGHT - By - ALL RIGHTS RESERVED.

REVISIONS					
P	LTR	DESCRIPTION	DATE	DWN	APVD
	C	REVISED PER ECR-16-013330	20APR2017	BW	RS

- NOTES:
- 1 SINGLE PACK IN ACCORDANCE WITH AMP SPEC 107-3275
 - 2 100 TRAY PACK IN ACCORDANCE WITH AMP SPEC 107-3275
 - 3 Ag PLATING
 - 4 THIS ITEM MUST BE WHITE
 - 5. INSTRUCTION SHEET : 411-3275



RECOMMENDED CABLE STRIPPING DIMENSION

QTY	QTY PER ASSY	MATERIAL	DESCRIPTION	ITEM
1	1	BRASS	NUT	15
1	1	BRASS	WASHER	14
1	1	SILICON RUBBER	GASKET	13
1	1	BRASS	FURREL	12
1	1	PHOSPHOR BRONZE	CONTACT 2	11
1	1	BRASS	BODY 3	10
1	1	BRASS	CLAMP	9
1	1	PTFE	INSULATION	8
1	1	BRASS	CONTACT 1	7
1	1	PTFE	INSULATION	6
1	1	BRASS	BODY 2	5
1	1	PHOSPHOR BRONZE	RING	4
1	1	BRASS	BODY 1	3
1	1	SILICON RUBBER	GASKET	2
1	1	BRASS	SHELL	1
6--0	1--0	MATERIAL	DESCRIPTION	ITEM
QUANTITY PER ASSY		PARTS LIST		

THIS DRAWING IS A CONTROLLED DOCUMENT.		DWN BILL WONG 20APR2017	TE Connectivity	
DIMENSIONS: mm		CHK ROGER SONG 20APR2017		
TOLERANCES UNLESS OTHERWISE SPECIFIED:		APVD ROGER SONG 20APR2017	NAME TYPE N ELBOW PLUG SOLDER(PS) RG213 50 OHM	
0 PLC ± - 1 PLC ± - 2 PLC ± - 3 PLC ± - 4 PLC ± - ANGLES ± -		PRODUCT SPEC	-	
MATERIAL		APPLICATION SPEC	-	
FINISH		WEIGHT 0	SIZE A3	CAGE CODE 00779
		CUSTOMER DRAWING	DRAWING NO C-1478418	RESTRICTED TO -
		SCALE 1:1	SHEET 1 OF 1	REV C

单击下面可查看定价，库存，交付和生命周期等信息

[>>TE Connectivity\(泰科\)](#)