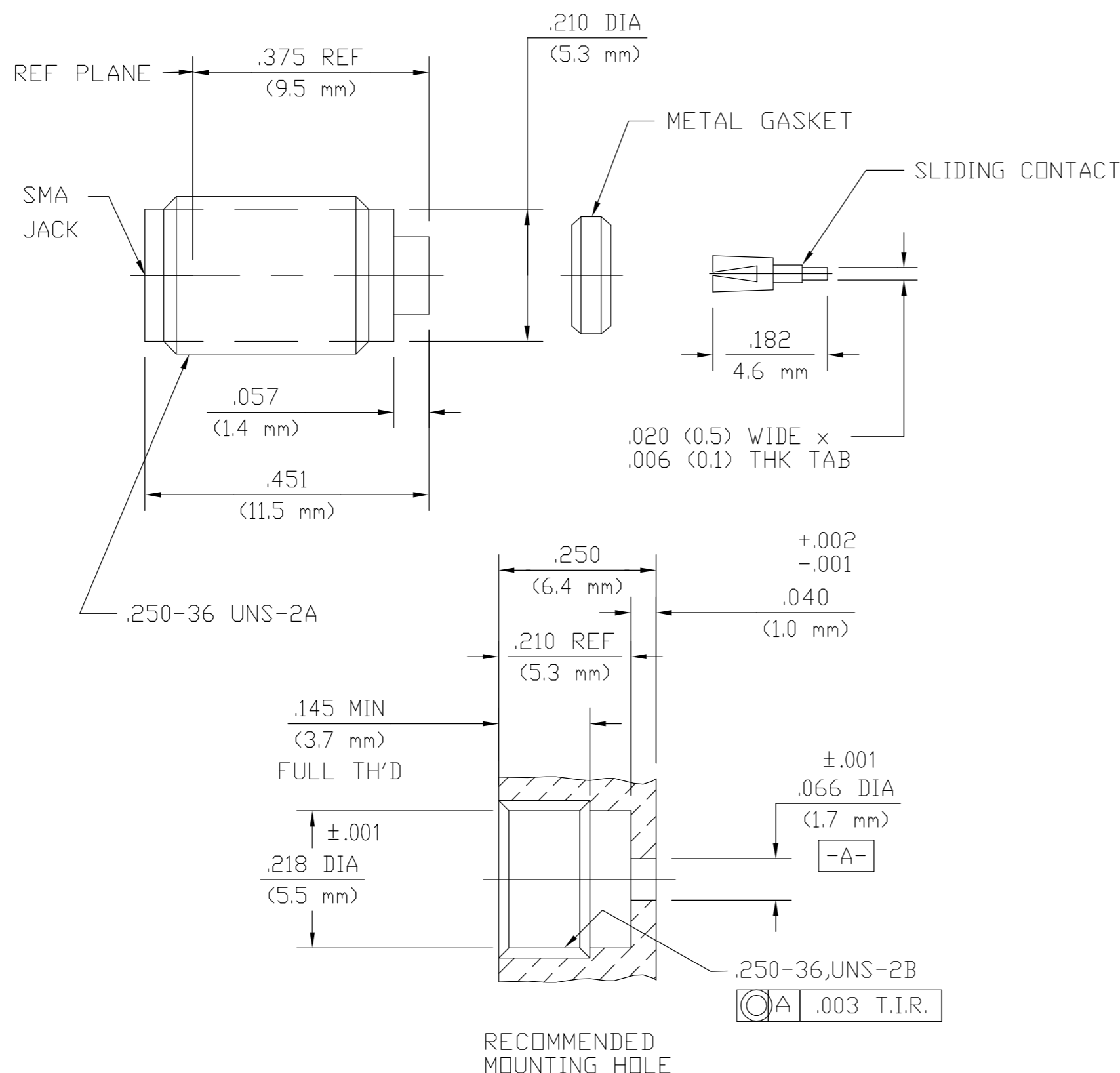


THIS DRAWING IS UNPUBLISHED. RELEASED FOR PUBLICATION
 © COPYRIGHT BY TYCO ELECTRONICS CORPORATION. ALL RIGHTS RESERVED.

LOC	DIST	REVISIONS					
HC	00	P	LTR	DESCRIPTION	DATE	DWN	APVD
		A		REV PER ECO 06-002539	07APR06	GB	JH



NOTE:
 1. CAPTURED CENTER CONTACT

6053256-1
 PART NUMBER

HOUSING	STAINLESS STEEL PER ASTM-A484 AND ASTM-A582, TYPE 303	GOLD PLATE PER ASTM B 488
DIELECTRIC	TFE FLUOROCARBON PER ASTM D 1710	N/A
CTR CONTACT SLD.CONTACT	BERYLLIUM COPPER PER ASTM B 196	GOLD PLATE PER ASTM B 488
CONTACT EXT BUSHING	IRON-NICKEL-COBALT ALLOY PER MIL-I-23011 (KOVAR)	GOLD PLATE PER ASTM B 488
METAL GASKET	STEEL SAE C12L14	SILVER PLATE PER ASTM B 700
HERMETIC SEAL	GLASS BEAD	N/A
COMPONENT	MATERIAL	FINISH

THIS DRAWING IS A CONTROLLED DOCUMENT.		DWN BB 06DEC88	tyco Tyco Electronics Corporation	
DIMENSIONS: INCHES (mm)		CHK K.C.MAHER 09DEC88	Harrisburg, PA 17105-3608	
TOLERANCES UNLESS OTHERWISE SPECIFIED:		APVD NGB 09DEC88	NAME	
0 PLC ± -	1 PLC ± -	PRODUCT SPEC	SMA PANEL FEEDTHROUGH JACK	
2 PLC ± -	3 PLC ± .005	APPLICATION SPEC	RECEPTACLE WITH SLIDING CONTACT HERMETICALLY SEALED (2058-5305-00)	
4 PLC ± -	ANGLES ± -	408-4852	SIZE A2	CAGE CODE 00779
MATERIAL SEE NOTES	FINISH SEE NOTES	WEIGHT -	DRAWING NO C=6053256	RESTRICTED TO -
		CUSTOMER DRAWING	SCALE 5:1	SHEET 1 OF 1

单击下面可查看定价，库存，交付和生命周期等信息

[>>TE Connectivity\(泰科\)](#)