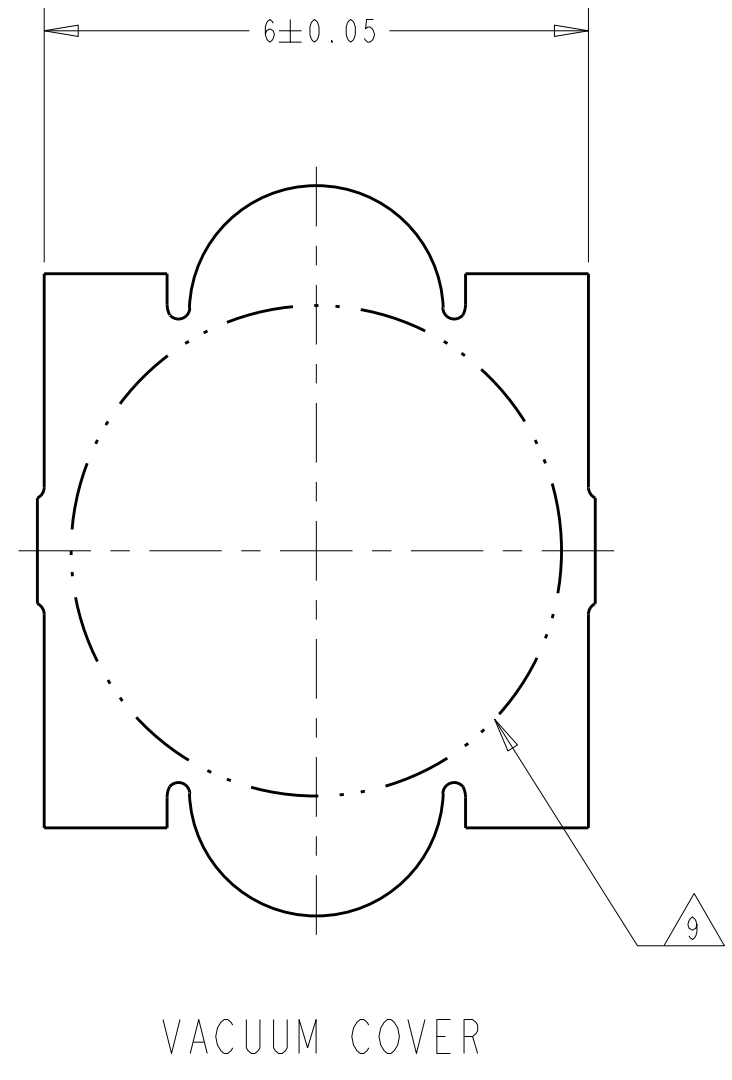
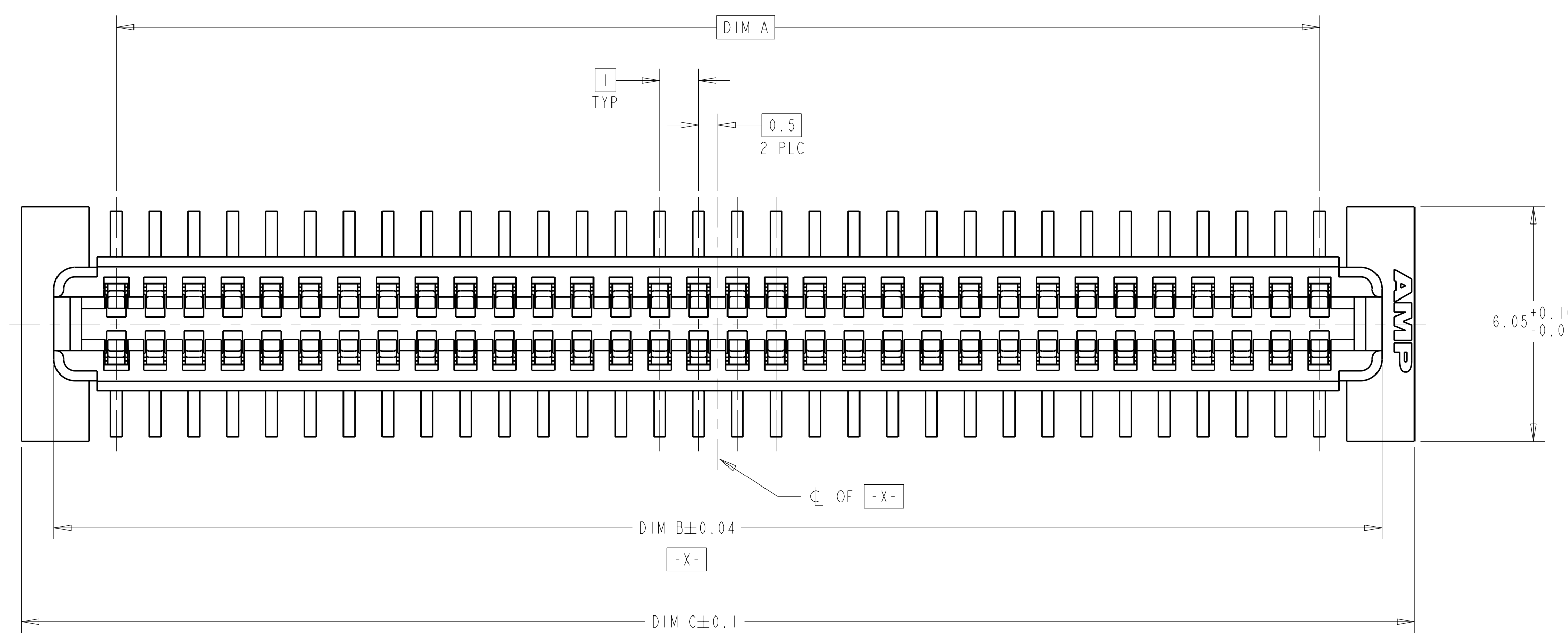
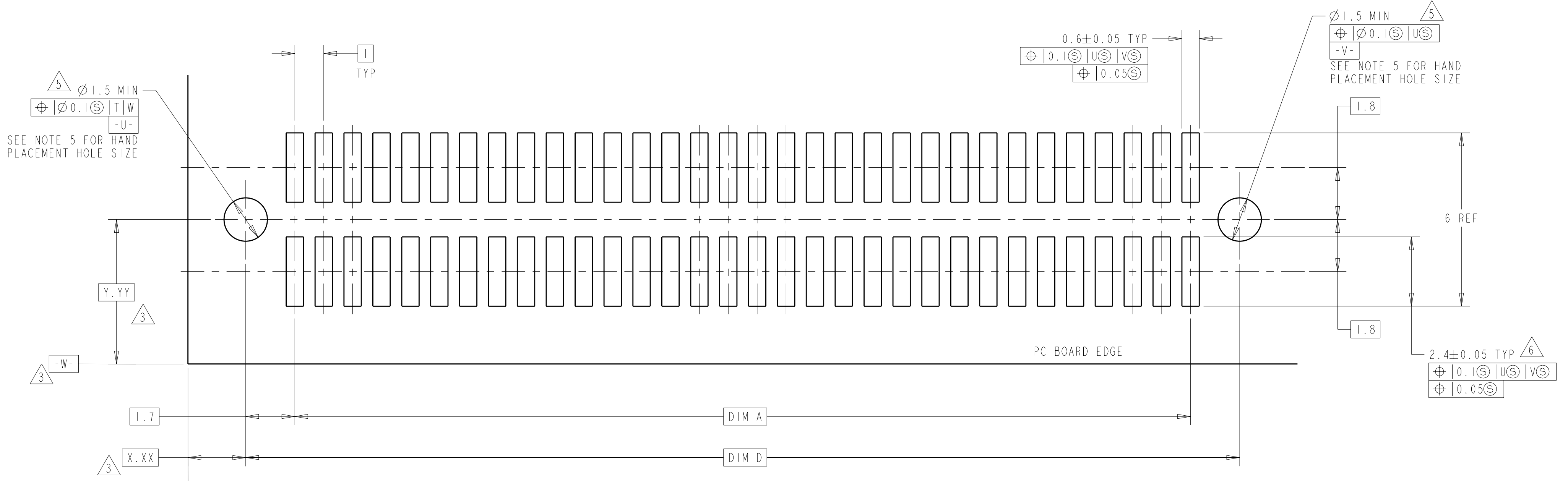
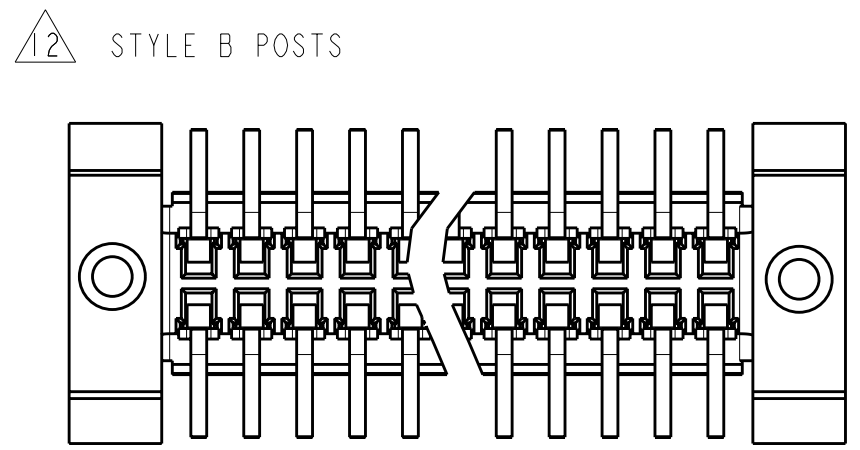
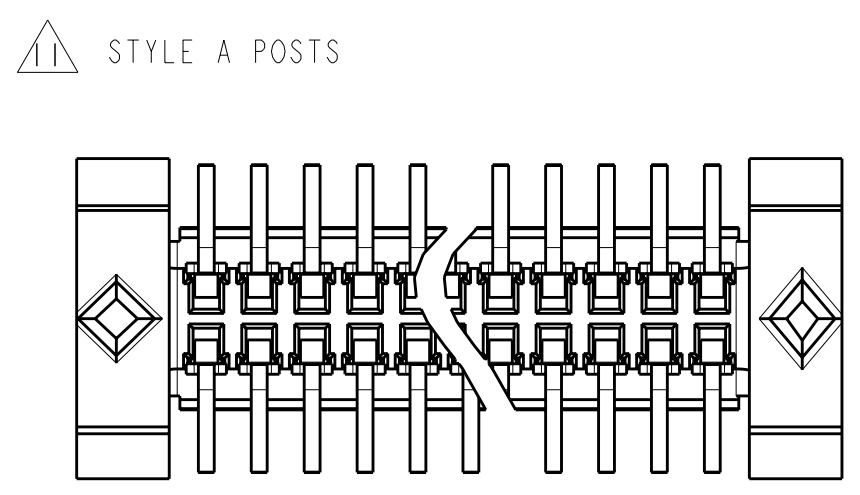
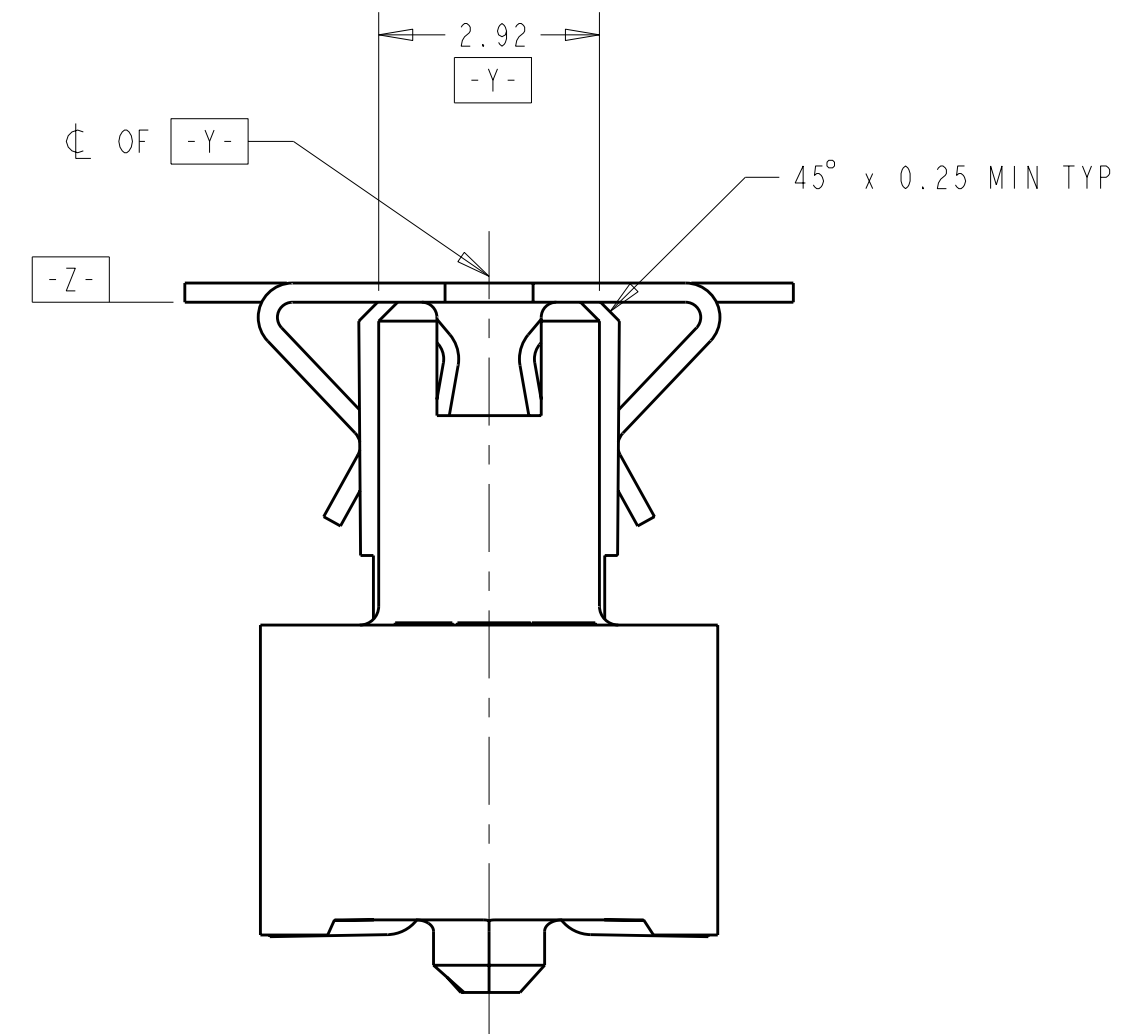
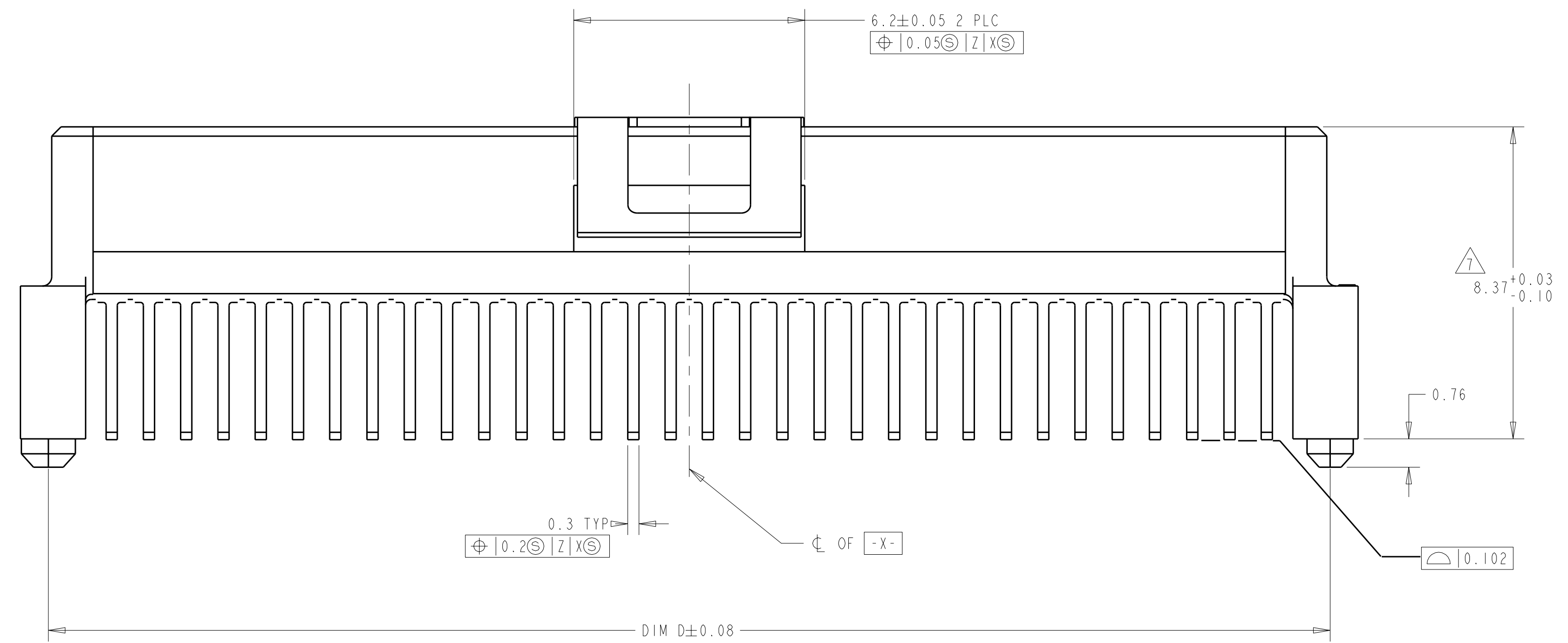


LOC	DIST	REV	DATE	BY	APPD
AD	00	0	01OCT2004	BC	RW
		A	22JAN2007	BC	DB
		B	10JUL2008	DH	DB
		B1	25AUG2009	AEG	DD



- 1 HOUSING MATERIAL: HIGH TEMPERATURE THERMOPLASTIC, COLOR: BLACK.1  
CONTACT MATERIAL: PHOSPHOR BRONZE.
  - 2 CONTACT FINISH: NICKEL UNDERPLATE ALL OVER, MATING SURFACES PLATED TO MEET PLI PERFORMANCE REQUIREMENTS OF INDUSTRY SPECIFICATION EIA-700AAAB, SOLDER TAILS PLATED TIN.
  - 3 DATUM LOCATIONS AND BASIC DIMENSIONS TO BE ESTABLISHED BY THE CUSTOMER. CONSULT AMP ENGINEERING WHEN PLACING MULTIPLE CONNECTORS ON A PC BOARD.
  - 4 PACKAGED IN TAPE ON REEL PER EIA-481.
  - 5 1.4±0.05 DIAMETER HOLE WHEN PLACING BY HAND.
  - 6 SHORTER SOLDER LANDS MAY BE USED PER EIA 700AAAB, HOWEVER 2.4 LENGTH ASSURES OPTIMUM SOLDER FILLET REGARDLESS OF MANUFACTURER OF CONNECTOR.
  - 7 REFERRED TO AS DIM H = 8.3±0.1 IN EIA 700AAAB SPECIFICATION.
  - 8 VACUUM COVER NOT SHOWN IN SOME VIEWS FOR CLARITY.
  - 9 5.5 MIN DIAMETER TARGET AREA FOR VACUUM PICK-UP.
  - 10 CONTACT FINISH: 0.00381 MINIMUM MATTE TIN PER ASTM B 545 ON SOLDER AREA. 0.00127 MINIMUM GOLD PER ASTM B 488 ON MATING AREA. BOTH OVER 0.00127 MINIMUM NICKEL PER SAE-AMS-00-N-290 ON ENTIRE CONTACT.
- ▲1 SQUARE AND DIAMOND SHAPED POSTS  
 ▲2 ROUND SHAPED POSTS



POST STYLE	FINISH	DIM D	DIM C	DIM B	DIM A	STACK HEIGHTS	POS	PART NUMBER
▲10	▲10	44.4	45.9	44.22	41	13	84	3-5146895-2
▲12	▲10	34.4	35.9	34.22	31	13	64	3-5146895-1
▲12	▲2	44.4	45.9	44.22	41	13	84	2-5146895-2
▲12	▲2	34.4	35.9	34.22	31	13	64	2-5146895-1
▲11	▲10	44.4	45.9	44.22	41	13	84	1-5146895-2
▲11	▲10	34.4	35.9	34.22	31	13	64	1-5146895-1
▲11	▲2	44.4	45.9	44.22	41	13	84	5146895-2
▲11	▲2	34.4	35.9	34.22	31	13	64	5146895-1

THIS DRAWING IS UNPUBLISHED. RELEASED FOR PUBLICATION BY TYCO ELECTRONICS CORPORATION, ALL RIGHTS RESERVED.

DIMENSIONS:	TOLERANCES UNLESS OTHERWISE SPECIFIED:	DWG: B. CARBO	01OCT04		Tyco Electronics Corporation Harrisburg, PA 17105-3608
mm	9 PLC ± 5 PLC ±0.03 4 PLC ±0.003	CHK: R. WERTZ	01OCT04		NAME: RECEPTACLE ASSY, W/ VACUUM COVER, 1.0mm FH (IEEE 1386) CONNECTOR
	ANGLES: ±0°30'	APVD: R. WERTZ	01OCT04	SIZE: A1	CAGE CODE: 00779
MATERIAL:	FINISH: SEE TABLE	PRODUCT SPEC: 502-1079	APPLICATION SPEC: 114-25045	SCALE: 10:1	SHEET 1 OF 1
		WEIGHT:	CUSTOMER DRAWING	REV: B1	

单击下面可查看定价，库存，交付和生命周期等信息

[>>TE Connectivity\(泰科\)](#)