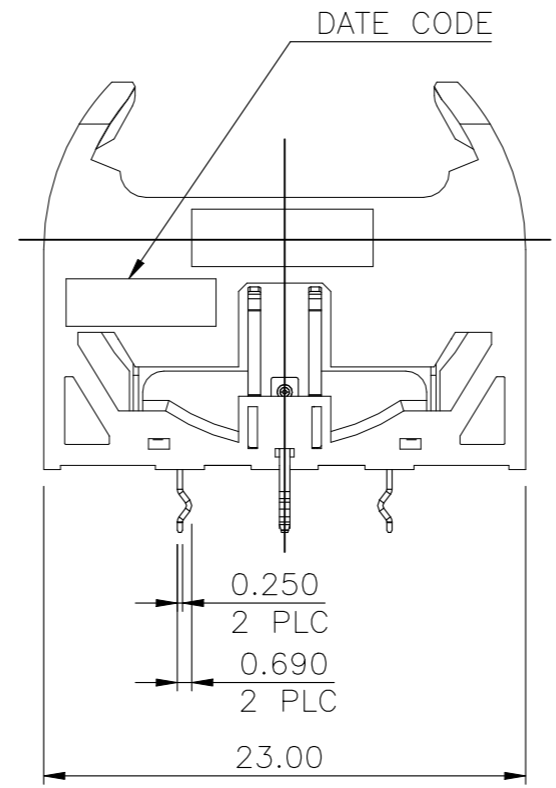
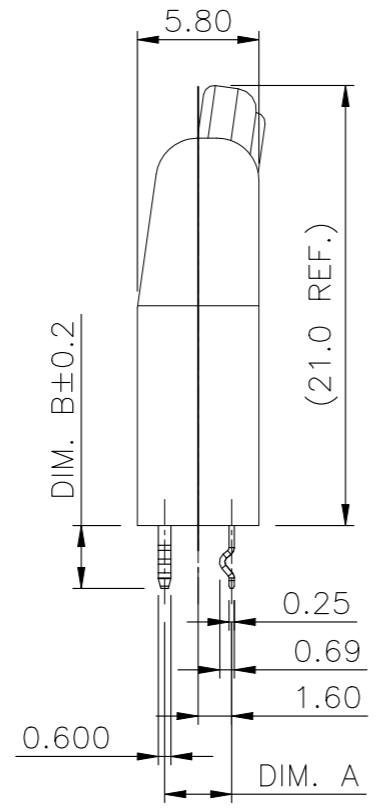
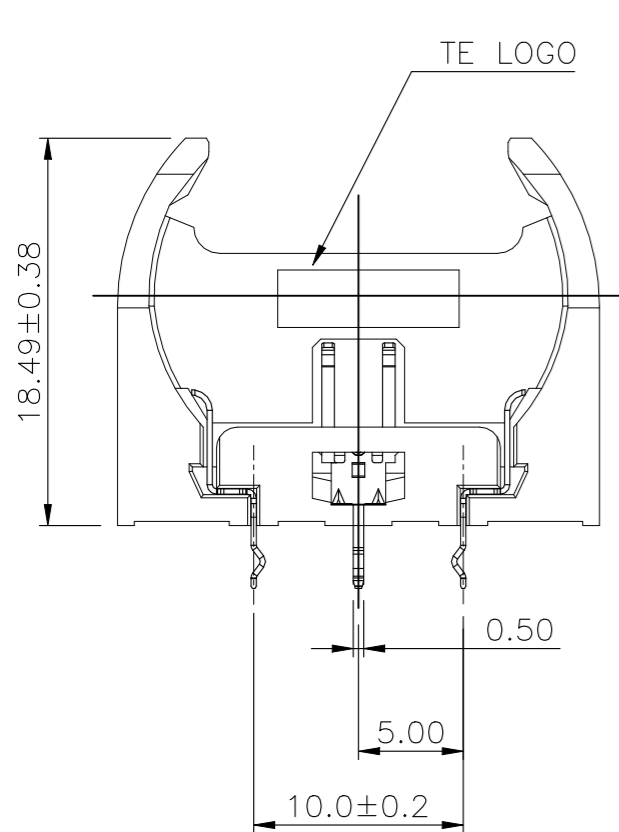
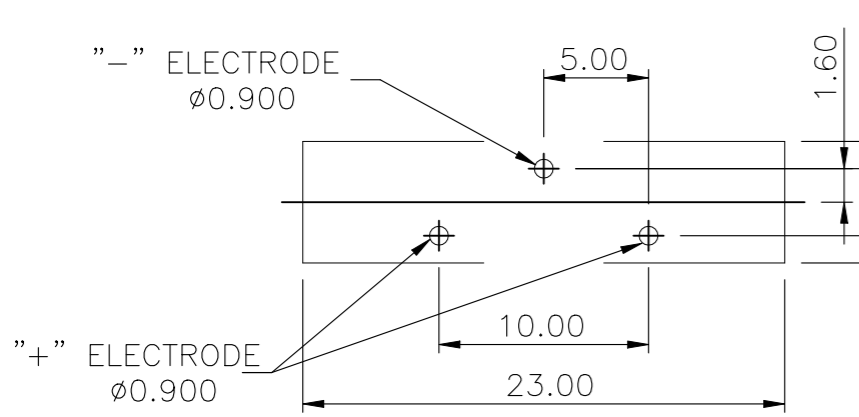
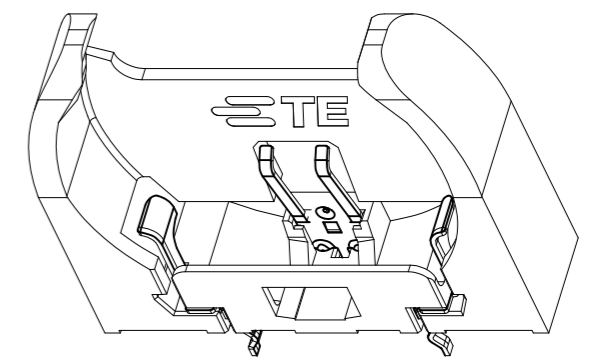


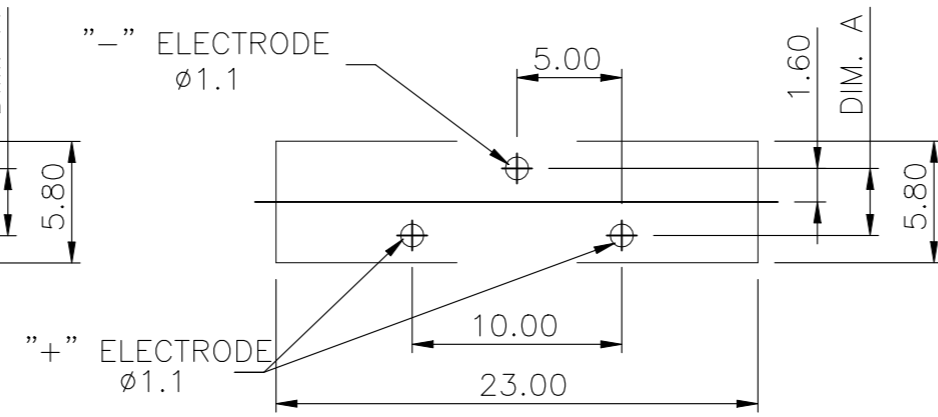
P	LTR	DESCRIPTION	DATE	DWN	APVD
	B3	ECR-21-108371	27JUL2021	E.Z	N.S



- NOTES :
- MATERIAL :
    - HOUSING: MATERIAL AND COLOR: SEE TABLE, UL94 V-0
    - CONTACT: STAINLESS STEEL
  - FINISH : CONTACT
    - 2.1 GOLD FLASH PLATING ON CONTACT AREA, 2.54um [100u"] MIN. MATTE-TIN PLATING ON SOLDERING AREA. 0.76um [30u"] MIN. NICKEL UNDERPLATING OVERALL.
    - 2.2 GOLD PLATING 0.125um [5u"] MIN.ON CONTACT AREA, 2.54um [100u"] MIN. MATTE-TIN PLATING ON SOLDERING AREA. 1.25um [50u"] MIN. NICKEL UNDERPLATING OVERALL.
  - WAVE SOLDER CAPABLE TO 265°C PER TE SPEC. 109-202, CONDITION B.
  - RECOMMENDED PCB THICKNESS: 1.6mm
  - SUITABLE FOR BATTERY NO.: CR2032.
  - LOW PCB RETENTION FORCE.



RECOMMENDED PCB HOLE LAYOUT  
PCB TOLERANCE ±0.05

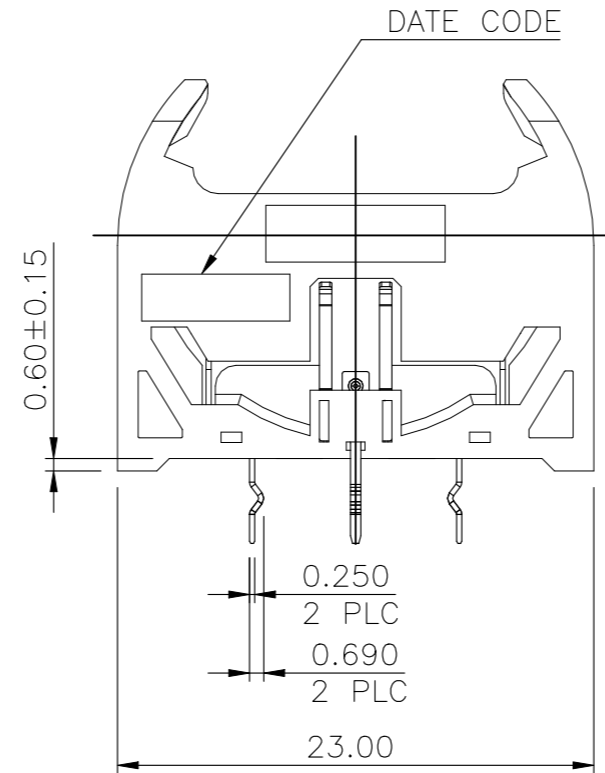
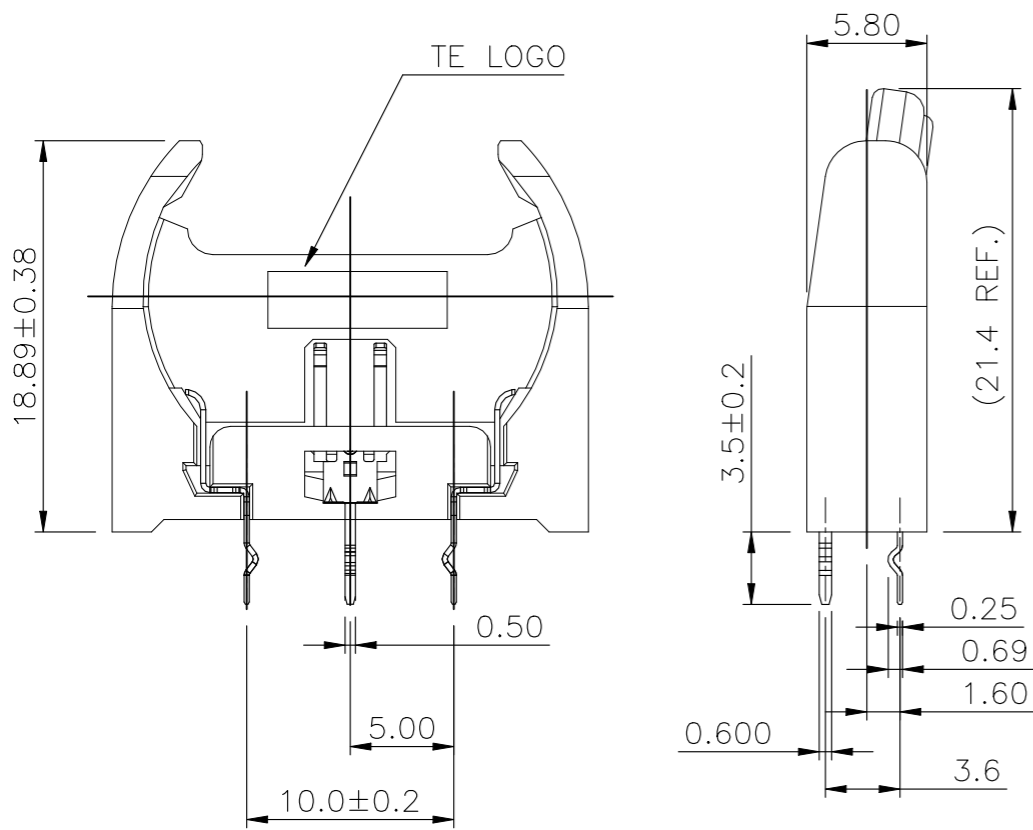


RECOMMENDED PCB HOLE LAYOUT  
PCB TOLERANCE ±0.05

2.1	3.0 mm	3.2 mm	PA-66 & BLACK	2-1775485-4
2.2	3.6 mm	3.6 mm	PA-66 & BLACK	1775485-5
2.1				2-1775485-1
2.1	3.0 mm	3.2 mm	PA-66 & 2718C BLUE	1-1775485-2
2.1			PA-66 & BLACK	1-1775485-1
2.1	3.0 mm	3.6 mm	PA-66 & 2718C BLUE	1775485-2
2.2			PA-66 & BLACK	1775485-4
2.1			PA-66 & BLACK	1775485-1
FINISHED	DIM B	DIM A	HOUSING MATERIAL&COLOR	PART NO.

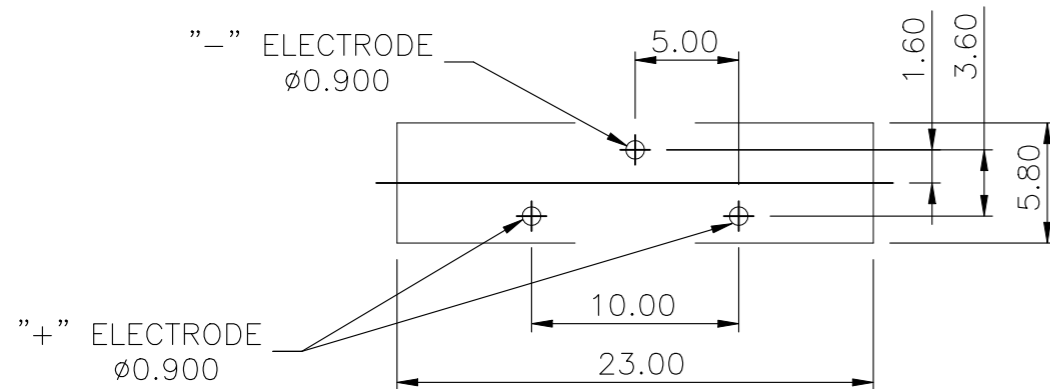
THIS DRAWING IS A CONTROLLED DOCUMENT.		DWN S. CHIEN 03JUN2008	TE Connectivity		
DIMENSIONS: mm		CHK W.KODAMA 03JUN2008			
TOLERANCES UNLESS OTHERWISE SPECIFIED:		APVD S. CHIEN 03JUN2008	NAME		
0 PLC ± -		PRODUCT SPEC	BATTERY HOLDER, H=18.5mm, V/T		
1 PLC ± 0.38		108-57542	-		
2 PLC ± 0.25		APPLICATION SPEC	-		
3 PLC ± 0.15			SIZE	CAGE CODE	DRAWING NO
4 PLC ± -			1.19 GRAMS	A300779	C-1775485
ANGLES ± 2'			RESTRICTED TO	-	
MATERIAL SEE NOTE		FINISH SEE NOTE	CUSTOMER DRAWING		
			SCALE 1:1	SHEET 1 of 5	REV B3

P	LTR	DESCRIPTION	DATE	DWN	APVD
-	-	SEE SHEET 1	-	-	-

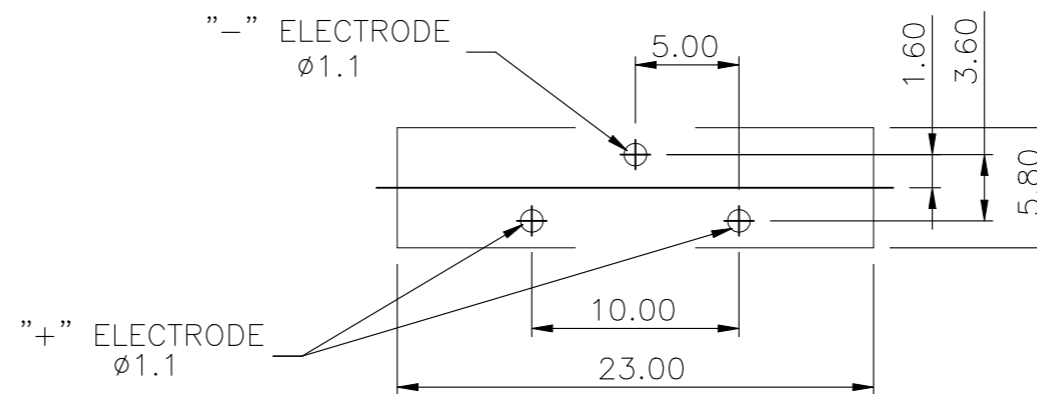


NOTES :

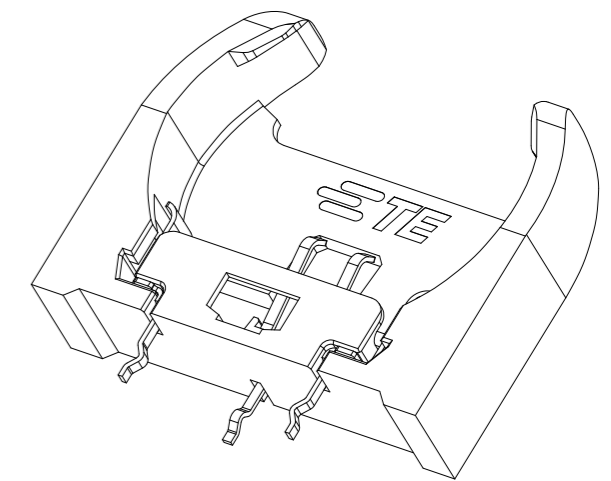
1. MATERIAL :
  - 1.1 HOUSING: UL94 V-0, PA SERIES COLOR: SEE TABLE
  - 1.2 CONTACT: STAINLESS STEEL
2. FINISH :
  - 2.1 CONTACT
    - GOLD FLASH PLATING ON CONTACT AREA,
    - 2.54um [100u"] MIN. MATTE-TIN PLATING ON SOLDERING AREA.
    - 0.76um [30u"] MIN. NICKEL UNDERPLATING OVERALL.
3. WAVE SOLDER CAPABLE TO 265°C PER TE SPEC. 109-202, CONDITION B.
4. RECOMMENDED PCB THICKNESS: 1.6mm
5. SUITABLE FOR BATTERY NO.: CR2032.
6. LOW PCB RETENTION FORCE.



RECOMMENDED PCB HOLE LAYOUT  
PCB TOLERANCE ±0.05



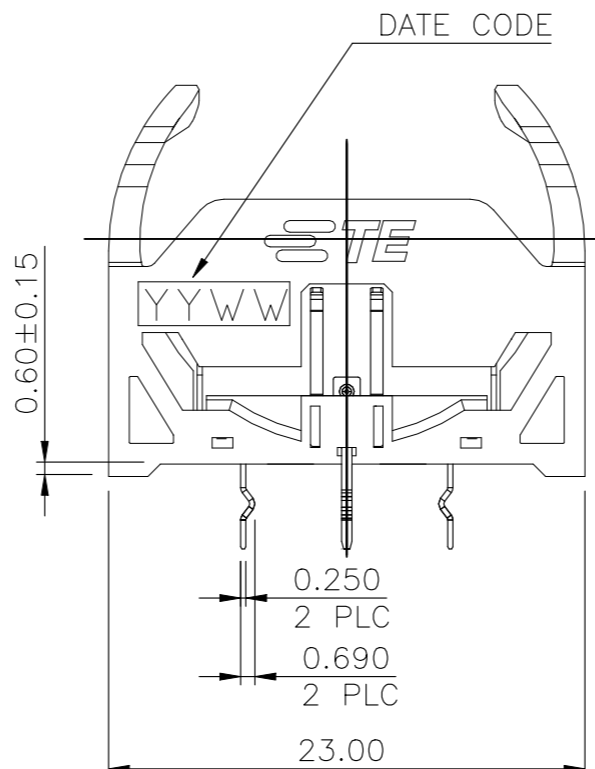
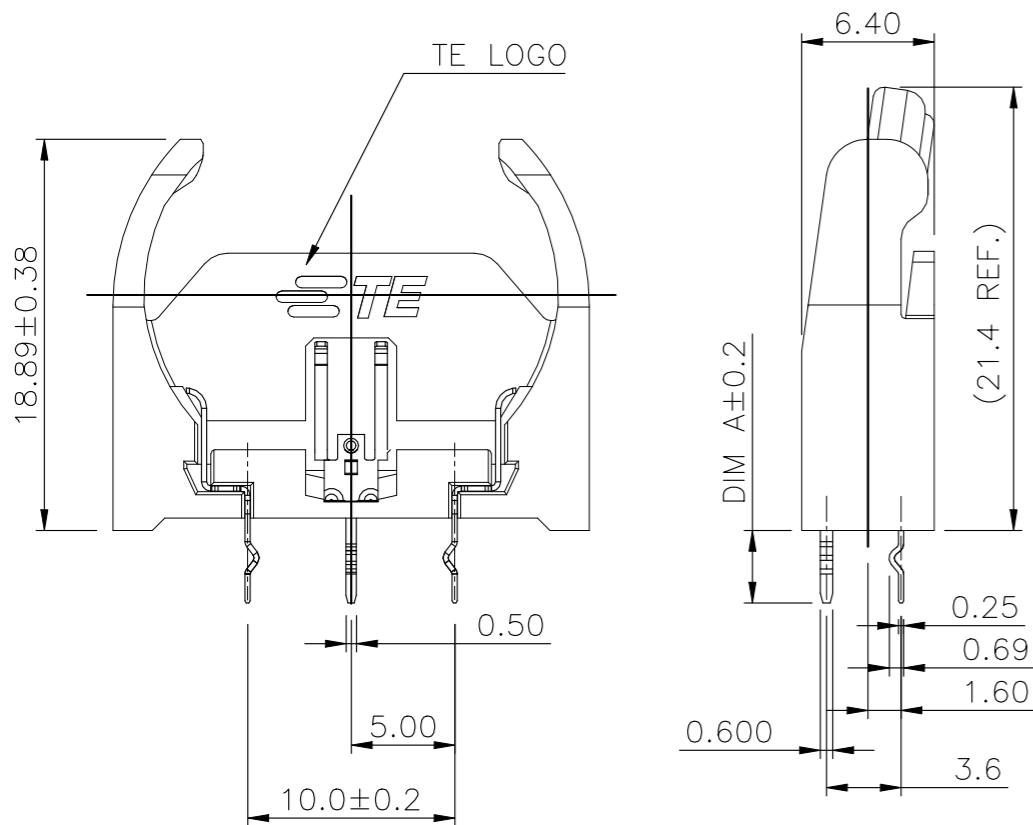
RECOMMENDED PCB HOLE LAYOUT  
PCB TOLERANCE ±0.05



PRODUCT AS SHOWN  
(0.60mm Height Standoff)

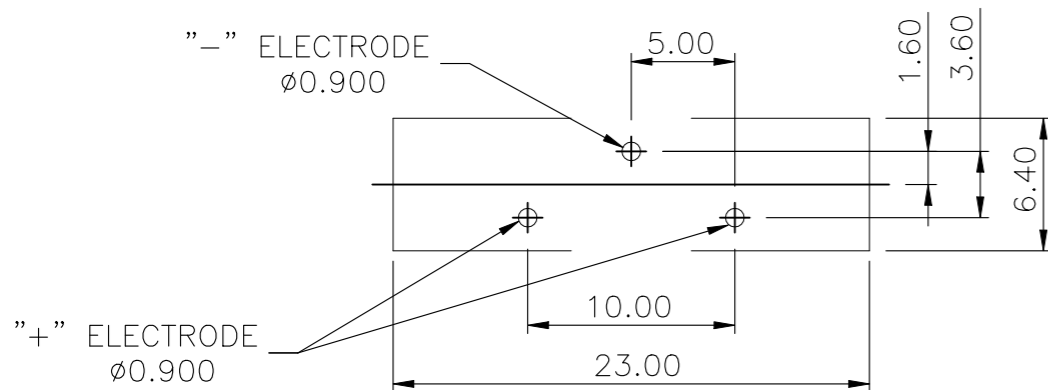
THIS DRAWING IS A CONTROLLED DOCUMENT.		DWN S. CHIEN 03JUN2008	TE Connectivity		
DIMENSIONS: mm		CHK W.KODAMA 03JUN2008			
TOLERANCES UNLESS OTHERWISE SPECIFIED:		APVD S. CHIEN 03JUN2008	NAME BATTERY HOLDER, H=18.5mm, V/T		
0 PLC ± -		PRODUCT SPEC 108-57542	-		
1 PLC ± 0.38		APPLICATION SPEC -	SIZE	CAGE CODE	DRAWING NO
2 PLC ± 0.25					RESTRICTED TO
3 PLC ± 0.15					
4 PLC ± -					
ANGLES ± 2°					
MATERIAL SEE NOTE		FINISH SEE NOTE	WEIGHT 1.19 GRAMS	A3 00779	C=1775485
CUSTOMER DRAWING			SCALE 1:1	SHEET 2 OF 5	REV B3

P	LTR	DESCRIPTION	DATE	DWN	APVD
-	-	SEE SHEET 1	-	-	-

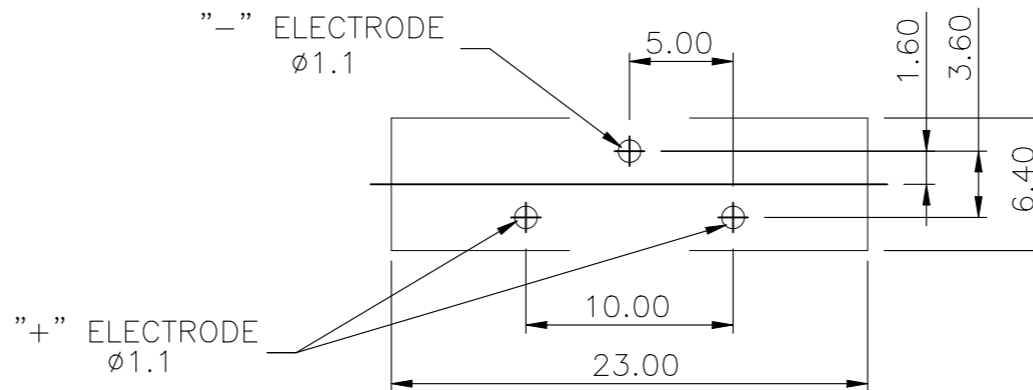


NOTES :

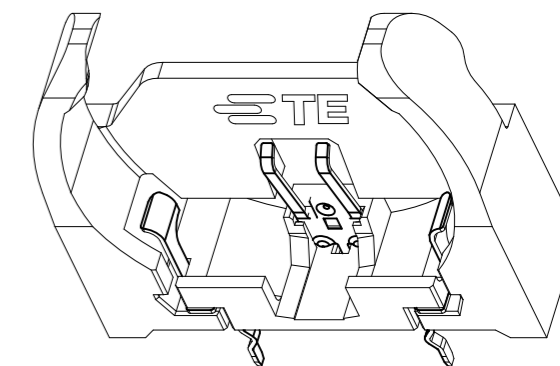
- MATERIAL :
  - HOUSING: UL94 V-0, PA SERIES COLOR: SEE TABLE
  - CONTACT: STAINLESS STEEL
- FINISH :
  - CONTACT
    - GOLD FLASH PLATING ON CONTACT AREA,
    - 2.54um [100u"] MIN. MATTE-TIN PLATING ON SOLDERING AREA.
    - 0.76um [30u"] MIN. NICKEL UNDERPLATING OVERALL.
- WAVE SOLDER CAPABLE TO 265°C PER TE SPEC. 109-202, CONDITION B.
- RECOMMENDED PCB THICKNESS: 1.6mm
- SUITABLE FOR BATTERY NO.: CR2032.
- LOW PCB RETENTION FORCE.
- 3-1775485-2 AND 4-1775485-2 ARE PRELIMINARY PART



RECOMMENDED PCB HOLE LAYOUT  
PCB TOLERANCE ±0.05



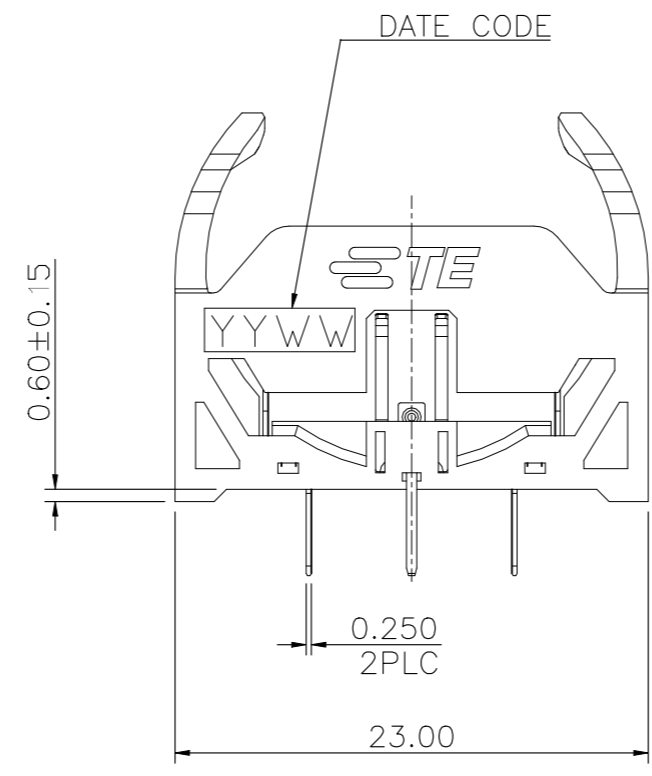
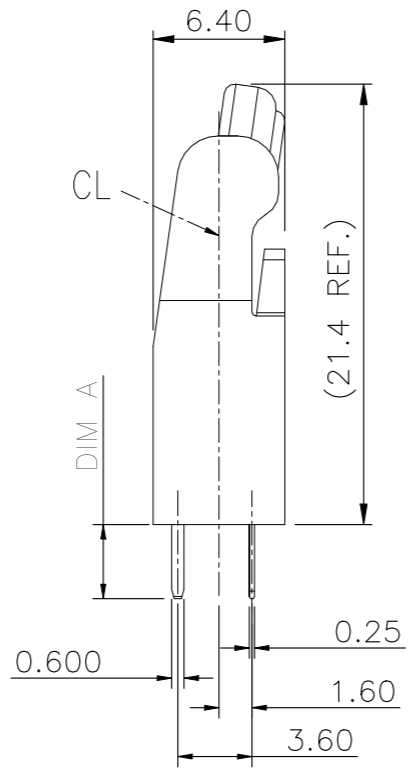
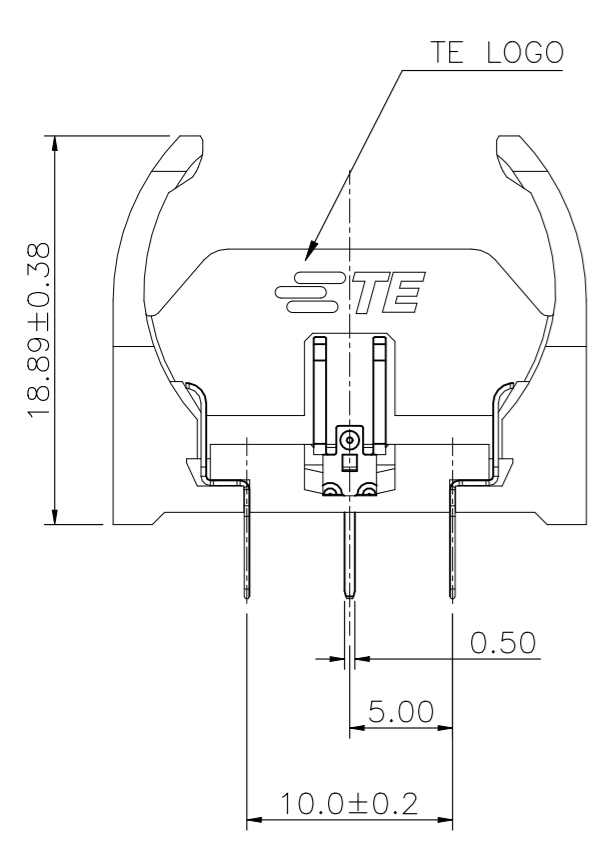
RECOMMENDED PCB HOLE LAYOUT  
PCB TOLERANCE ±0.05



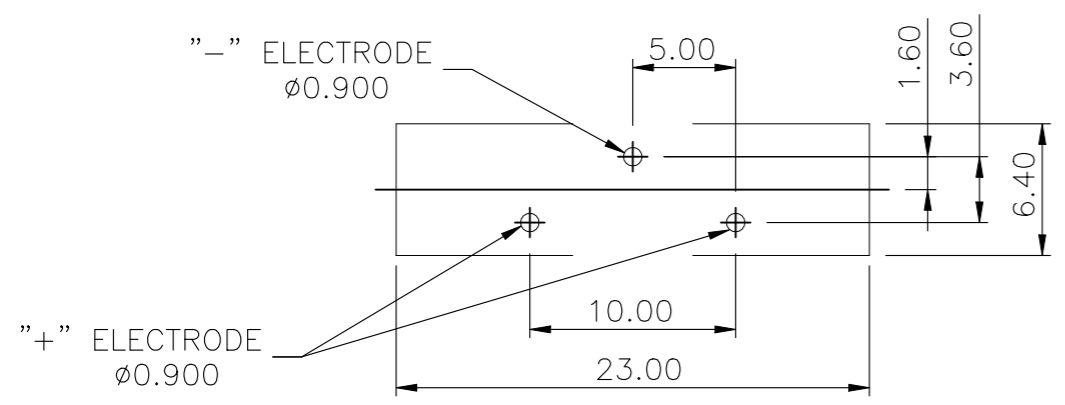
3.00	PA10T HF& BLACK	3-1775485-2
3.50	PA10T HF&2718C BLUE	2-1775485-2
DIM A	HOUSING COLOR	PART NO.

THIS DRAWING IS A CONTROLLED DOCUMENT.		DWN S. CHIEN 03JUN2008	<b>STE</b> TE Connectivity		
DIMENSIONS: mm		CHK W.KODAMA 03JUN2008			
TOLERANCES UNLESS OTHERWISE SPECIFIED:		APVD S. CHIEN 03JUN2008	NAME BATTERY HOLDER, H=18.5mm, V/T		
0 PLC ± -		PRODUCT SPEC 108-57542	-		
1 PLC ± 0.38		APPLICATION SPEC -	-		
2 PLC ± 0.25		SIZE -	CAGE CODE A300779	DRAWING NO C-1775485	RESTRICTED TO -
3 PLC ± 0.15		WEIGHT 1.19 GRAMS	SCALE 1:1 SHEET 3 OF 5 REV B3		
4 PLC ± -		CUSTOMER DRAWING			
ANGLES ± 2°					
MATERIAL SEE NOTE					
FINISH SEE NOTE					

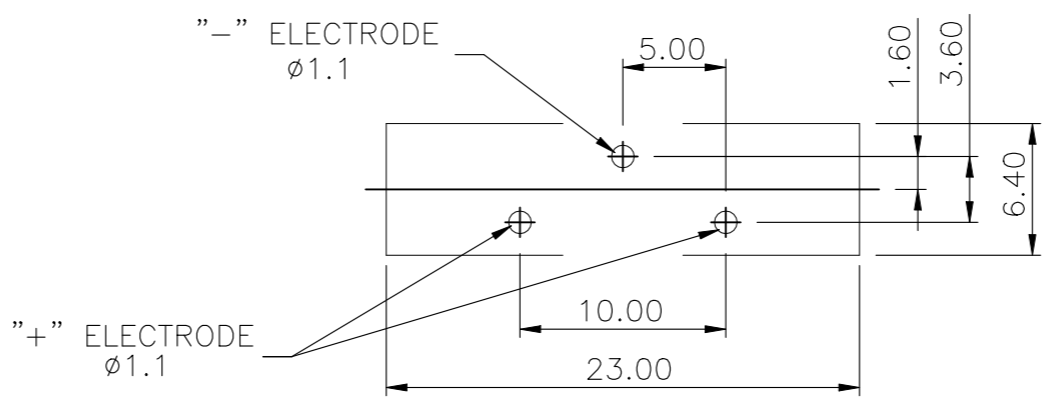
REVISIONS					
P	LTR	DESCRIPTION	DATE	DWN	APVD
-	-	SEE SHEET 1	-	-	-



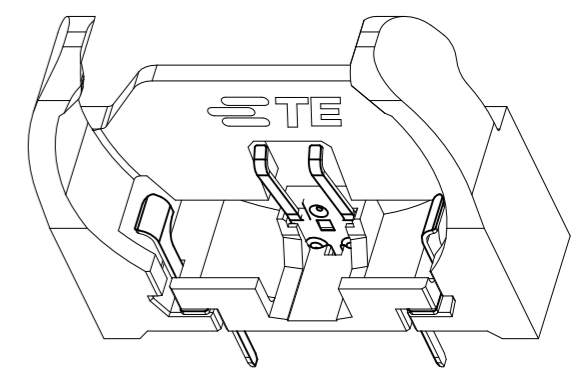
- NOTES :
- MATERIAL :
    - HOUSING: UL94 V-0, PA SERIES COLOR: SEE TABLE
    - CONTACT: STAINLESS STEEL
  - FINISH :
    - CONTACT
      - GOLD FLASH PLATING ON CONTACT AREA, 2.54um [100u"] MIN. MATTE-TIN PLATING ON SOLDERING AREA.
      - 0.76um [30u"] MIN. NICKEL UNDERPLATING OVERALL.
  - WAVE SOLDER CAPABLE TO 265°C PER TE SPEC. 109-202, CONDITION B.
  - RECOMMENDED PCB THICKNESS: 1.6mm
  - SUITABLE FOR BATTERY NO.: CR2032.
  - LOW PCB RETENTION FORCE.
  - 1775485-6 IS PRELIMINARY PART.



RECOMMENDED PCB HOLE LAYOUT  
PCB TOLERANCE ±0.05



RECOMMENDED PCB HOLE LAYOUT  
PCB TOLERANCE ±0.05



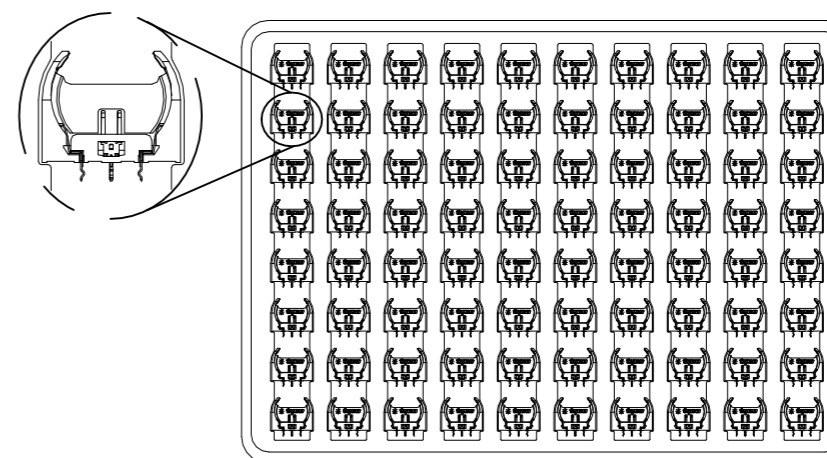
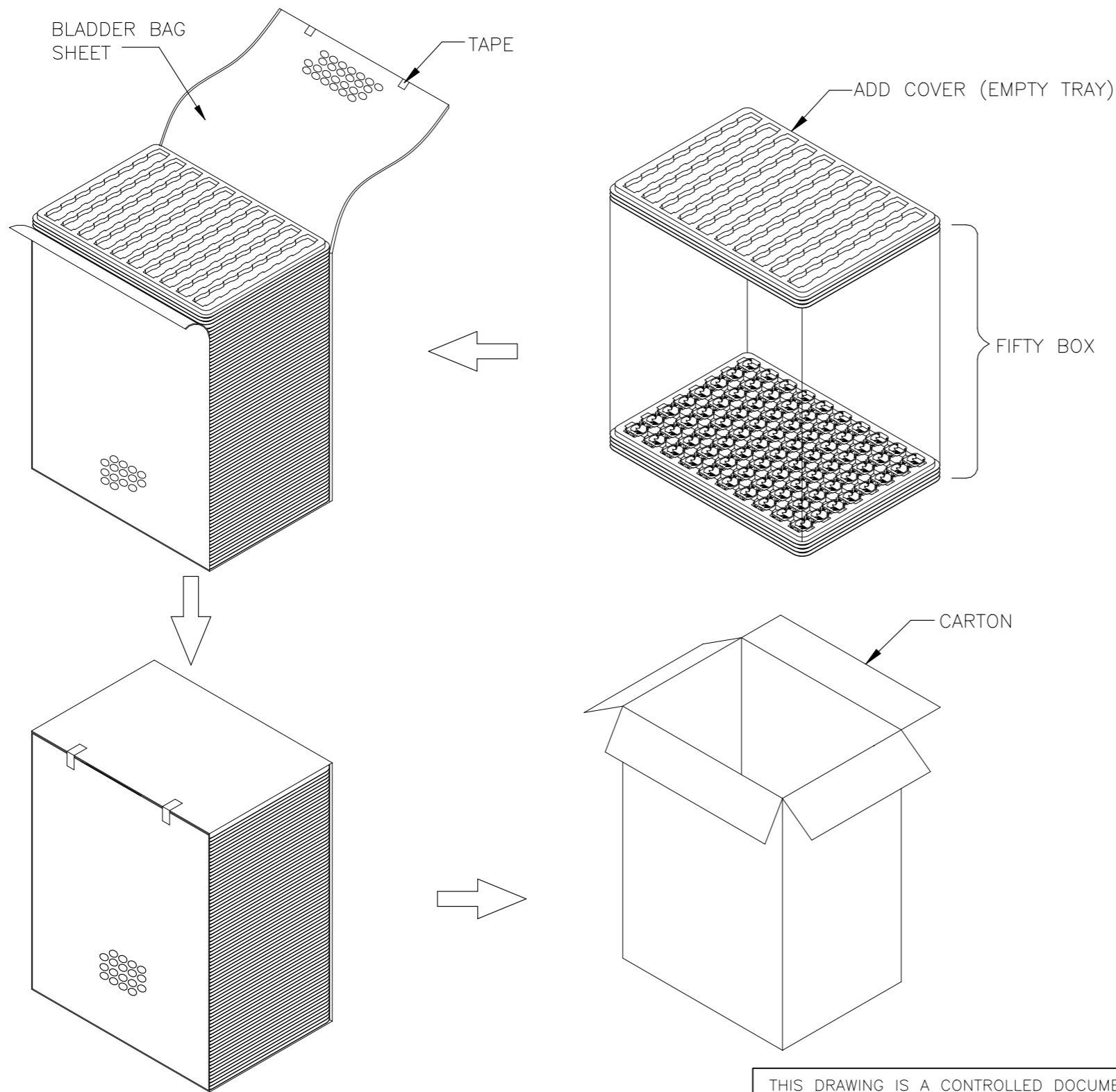
3.60	PA10T HF&2718C BLUE	1775485-6
DIM A	HOUSING COLOR	PART NO.

THIS DRAWING IS A CONTROLLED DOCUMENT.		DWN S. CHIEN 03JUN2008	TE Connectivity BATTERY HOLDER, H=18.5mm, V/T				
DIMENSIONS: mm		CHK W.KODAMA 03JUN2008					
TOLERANCES UNLESS OTHERWISE SPECIFIED:		APVD S. CHIEN 03JUN2008					
0 PLC ± - 1 PLC ± 0.38 2 PLC ± 0.25 3 PLC ± 0.15 4 PLC ± - ANGLES ± 2°		NAME					
MATERIAL SEE NOTE		FINISH SEE NOTE	PRODUCT SPEC 108-57542	SIZE	CAGE CODE	DRAWING NO	RESTRICTED TO
			APPLICATION SPEC	-	-	-	-
			WEIGHT 1.19 GRAMS	A3	00779	C-1775485	-
			CUSTOMER DRAWING	SCALE 1:1	SHEET 4 OF 5	REV B3	

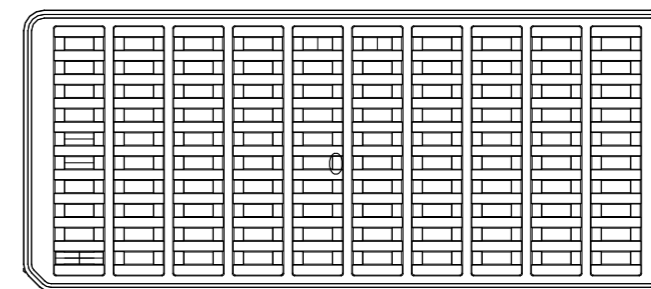
REVISIONS					
P	LTR	DESCRIPTION	DATE	DWN	APVD
-	-	SEE SHEET 1	-	-	-

NOTES :

- 1. MATERIAL:
  - 1.1 TRAY:
    - 1775485-1/1775485-2/1775485-4/1775485-5 SOFT TRAY
    - 1-1775485-1/1-1775485-2/2-1775485-1 SOFT TRAY
    - 2-1775485-2/1775485-3/1775485-6 SOFT TRAY
    - 3-1775485-2 SOFT TRAY
    - 2-1775485-4 HARD TRAY
  - 1.2 SHIPPING CARTON: CORRUGATED FIBERBOARD
- 2. QUANTITY:
  - 2.1 PRIMARY PACKING: 80 PCS/TRAY SOFT TRAY  
100 PCS/TRAY HARD TRAY
  - 2.2 SECONDARY PACKING: 50 TRAY/CARTON(4,000PCS)  
20 TRAY/CARTON(2,000PCS)



SOFT TRAY



HARD TRAY

THIS DRAWING IS A CONTROLLED DOCUMENT.		DWN S. CHIEN 03JUN2008	TE Connectivity		
		CHK W.KODAMA 03JUN2008			
		APVD S. CHIEN 03JUN2008	NAME BATTERY HOLDER, H=18.5mm, V/T		
DIMENSIONS: mm 		TOLERANCES UNLESS OTHERWISE SPECIFIED: 0 PLC ± - 1 PLC ± 0.38 2 PLC ± 0.25 3 PLC ± 0.15 4 PLC ± - ANGLES ± 2°		PRODUCT SPEC 108-57542 APPLICATION SPEC -	
MATERIAL SEE NOTE		FINISH SEE NOTE		WEIGHT 1.19 GRAMS CUSTOMER DRAWING	SIZE A3 CAGE CODE 00779 DRAWING NO C-1775485 RESTRICTED TO -
				SCALE 1:1	SHEET 5 of 5
				REV B3	

单击下面可查看定价，库存，交付和生命周期等信息

[>>TE Connectivity\(泰科\)](#)