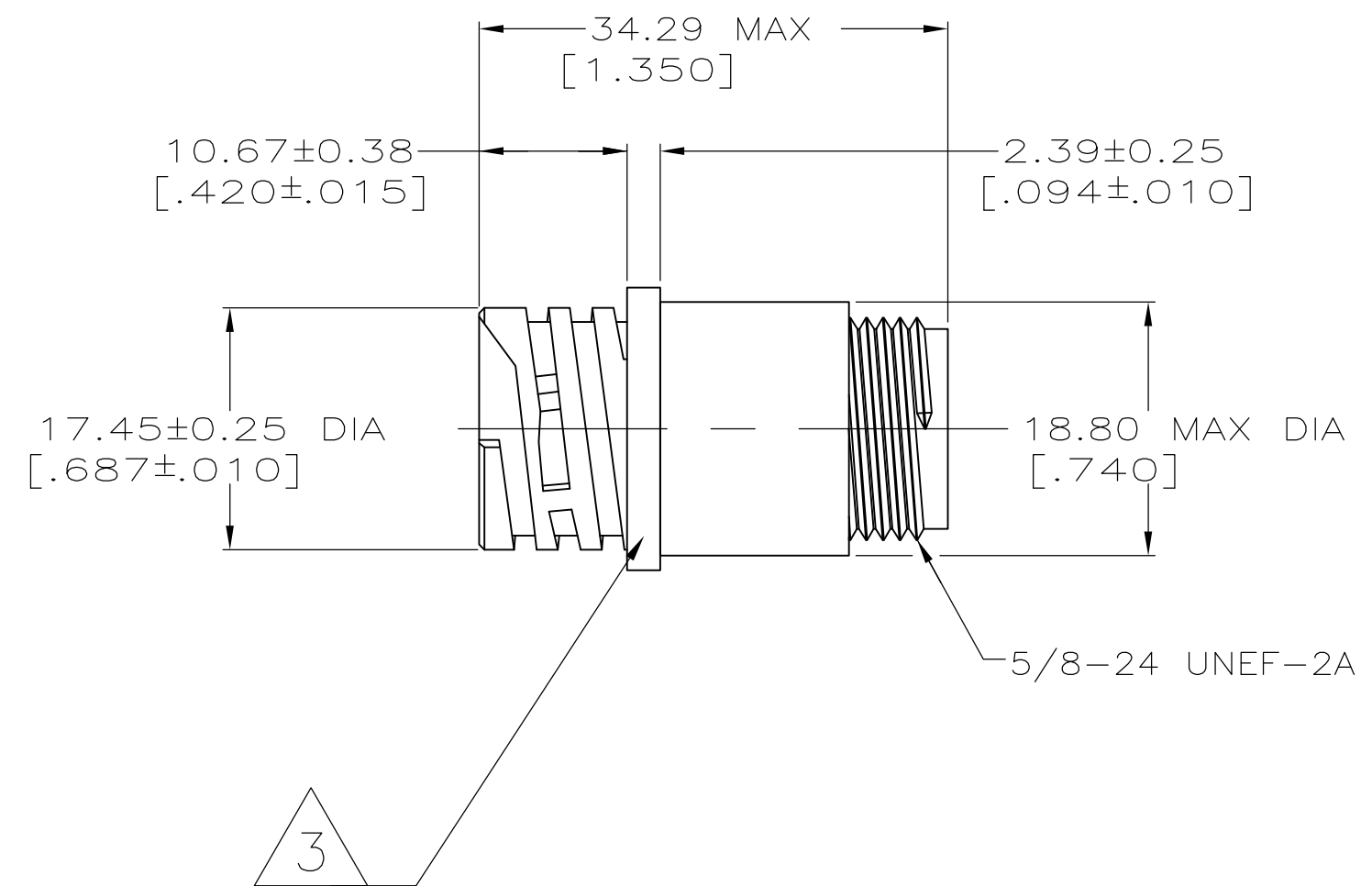
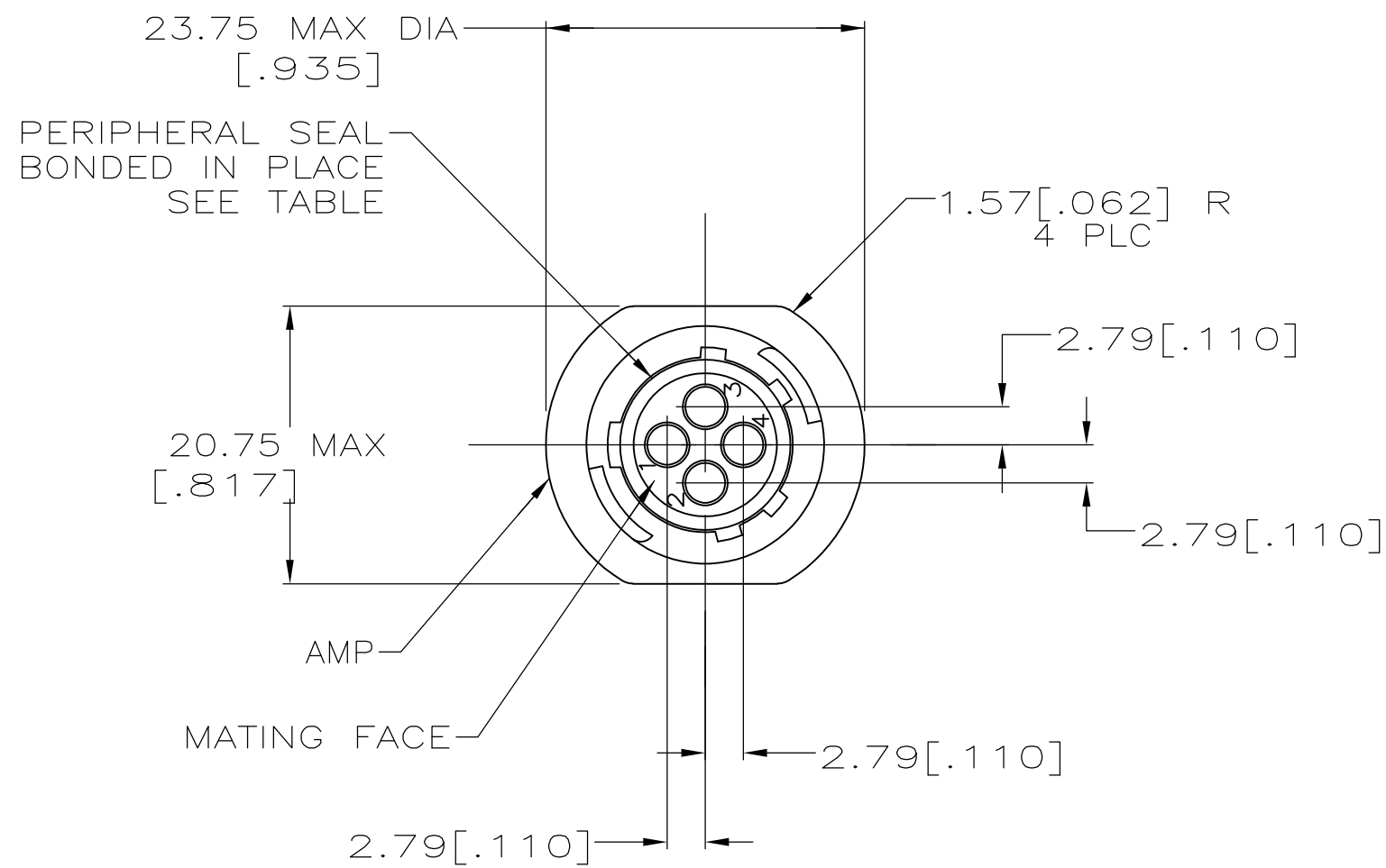


THIS DRAWING IS UNPUBLISHED. RELEASED FOR PUBLICATION  
 © COPYRIGHT - By - ALL RIGHTS RESERVED.

LOC	DIST	REVISIONS			
P	LTR	DESCRIPTION	DATE	DWN	APVD
BD	35	G2	REVISED PER ECO-13-000918	17JAN13	KH MZ

- 1 CAVITY IDENTIFICATION ON FRONT AND REAR FACE.
- 2 RECEPTACLE WILL ACCEPT FOUR (4) MULTIMATE PIN CONTACTS.
- 3 206153-1 MOLDED INTO HOUSING ON THIS SURFACE, ORIENTATION OPTIONAL.



YES	206153-2
NO	206153-1
PERIPHERAL SEAL	PART NO

THIS DRAWING IS A CONTROLLED DOCUMENT.		DWN	D.HARDY	05/18/94	 TE Connectivity RECEPTACLE HOUSING, STANDARD SEX, SHELL SIZE 11, CPC
DIMENSIONS: MM [INCHES]		CHK	R.STONE	05/20/94	
TOLERANCES UNLESS OTHERWISE SPECIFIED:		APVD	A.FRANTUM	07/12/94	
0 PLC ± - 1 PLC ± - 2 PLC ± 0.13 [.005] 3 PLC ± - 4 PLC ± - ANGLES ± -		PRODUCT SPEC	108-10024		
MATERIAL	NYLON, BLACK	FINISH	-	WEIGHT	-
CUSTOMER DRAWING		SCALE	2:1	SHEET	1 OF 1
		SIZE	A2	CAGE CODE	00779
		DRAWING NO	C=206153		RESTRICTED TO
		REV	G2		

单击下面可查看定价，库存，交付和生命周期等信息

[>>TE Connectivity\(泰科\)](#)