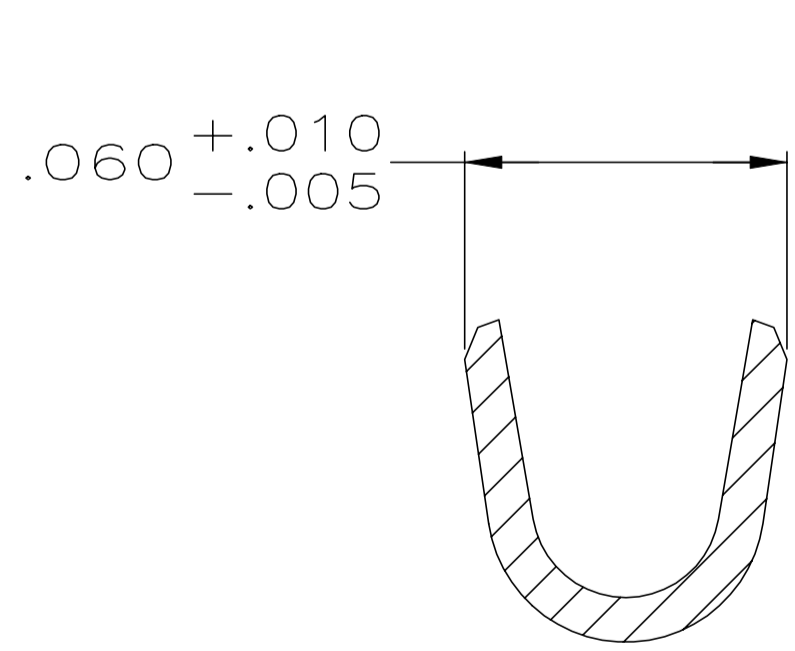
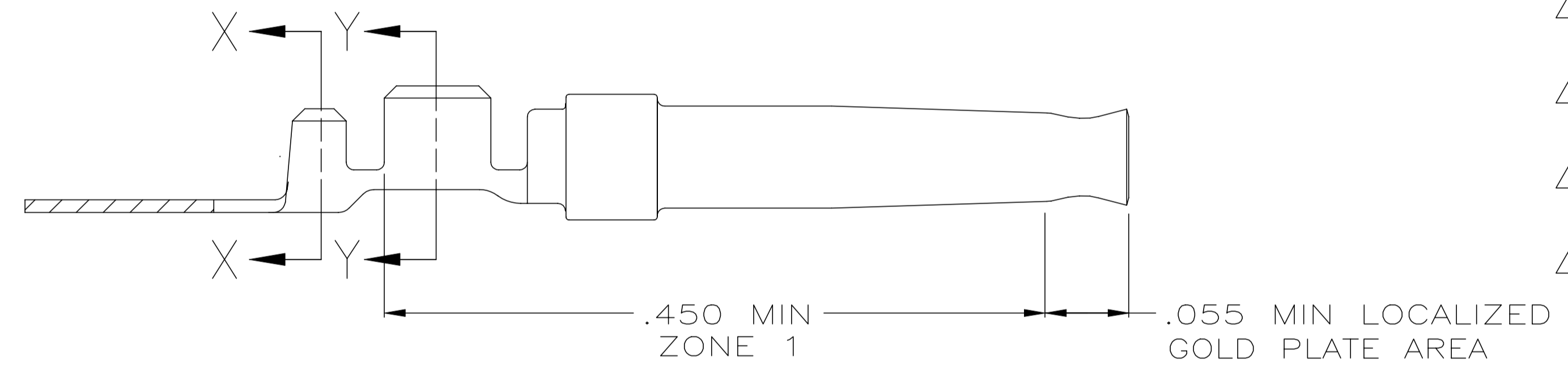
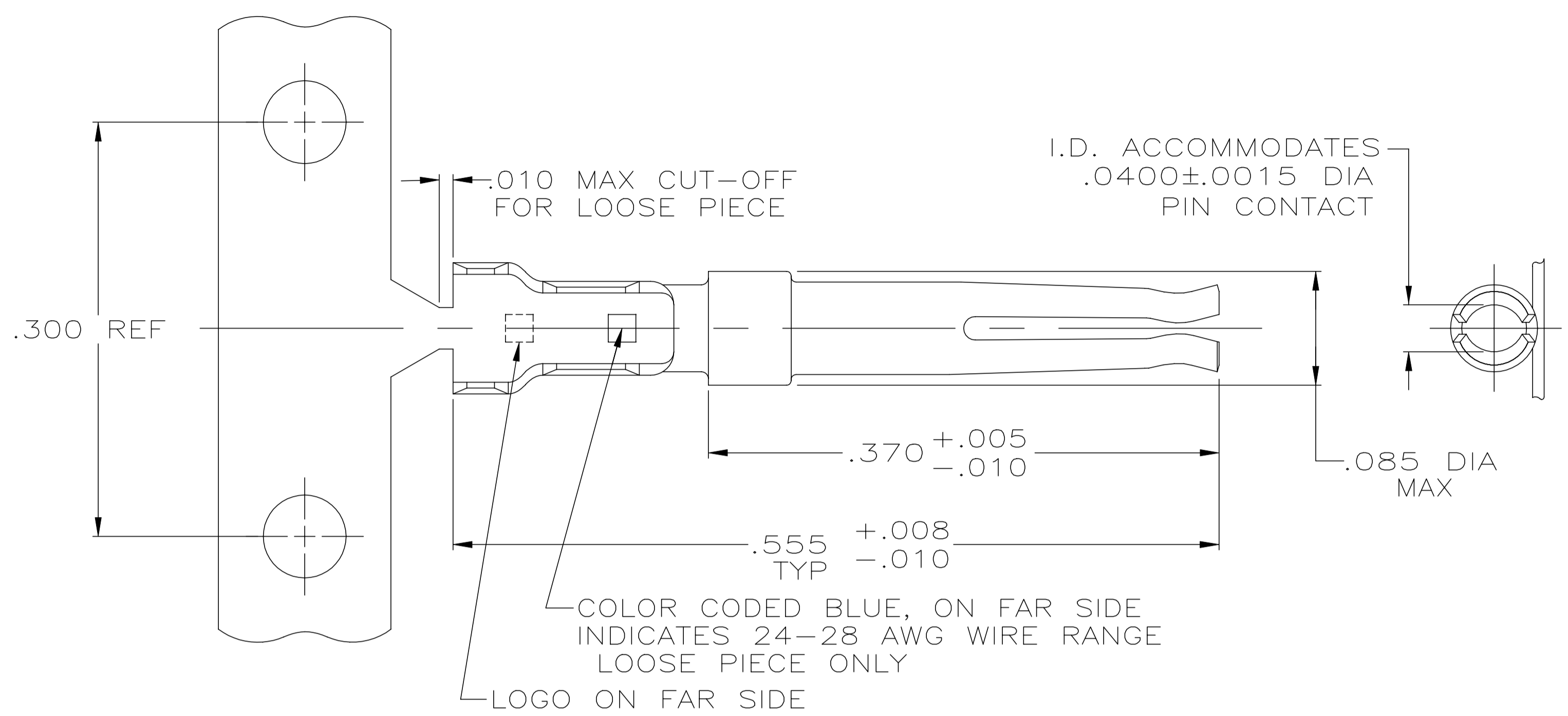
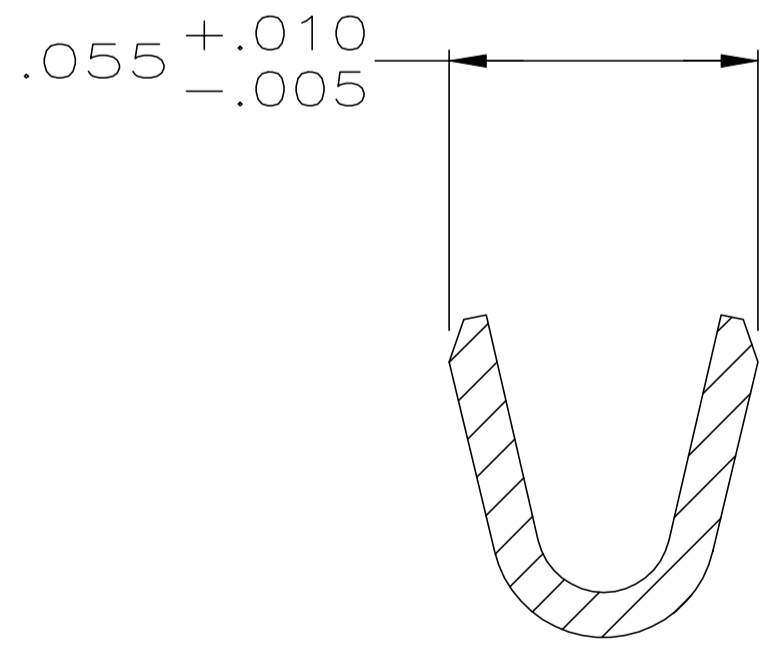


THIS DRAWING IS UNPUBLISHED. RELEASED FOR PUBLICATION  
 © COPYRIGHT - By - ALL RIGHTS RESERVED.

| LOC | DIST | REVISIONS                    |           |     |      |
|-----|------|------------------------------|-----------|-----|------|
| P   | LTR  | DESCRIPTION                  | DATE      | DWN | APVD |
| GP  | 00   | AT REVISED PER ECO-19-003064 | 09JUL2020 | AP  | EB   |



SECTION X-X  
SCALE 20:1



SECTION Y-Y  
SCALE 20:1

- 1 FOR MINI-APPLICATOR AND STRIPPER CRIMPER.
- 2 FOR HAND TOOL USE ONLY.
- 3 FOR STANDARD APPLICATOR PART #566184 ONLY.
- 4. WIRE RANGE OF 24-28, INSULATION RANGE OF .030-.040.
- 5. GOLD PLATING MAY NOT APPEAR ON CARRIER STRIP. NICKEL UNDERPLATE COVERS ENTIRE CONTACT.
- 6 GOLD PLATING PER MIL-G-45204, NICKEL PLATING PER QQ-N-290, TIN PLATING PER MIL-T-10727, COPPER PLATING PER MIL-C-14550.
- 7 PLATED WITH .000050 GOLD ON INSIDE OF LOCALIZED GOLD PLATE AREA, .000050 GOLD ON ZONE 1, ALL OVER .000050 NICKEL UNDERPLATE.
- 8 PLATED WITH .000030 GOLD ON INSIDE OF LOCALIZED GOLD PLATE AREA, GOLD FLASH ON ZONE 1, ALL OVER .000050 NICKEL UNDERPLATE.  
OR  
GOLD FLASH OVER PALLADIUM-NICKEL, .000030 TOTAL ON INSIDE OF LOCALIZED GOLD PLATE AREA, GOLD FLASH ON ZONE 1, ALL OVER .000050 NICKEL UNDERPLATE.
- 9 GOLD FLASH ON INSIDE OF LOCALIZED GOLD PLATE AREA, GOLD FLASH ON ZONE 1, ALL OVER .000030 NICKEL UNDERPLATE.
- 10 PLATED WITH .000100-.000200 TIN.
- 11 PLATED WITH .000050 GOLD ON INSIDE OF LOCALIZED GOLD PLATE AREA, GOLD FLASH ON ZONE 1, ALL OVER .000050 NICKEL UNDERPLATE.
- 12 PLATED WITH .000015 GOLD IN LOCALIZED GOLD PLATE AREA, GOLD FLASH ON REMAINDER, OVER .000050 NICKEL.
- 13 PLATED WITH GOLD FLASH IN LOCALIZED GOLD PLATE AREA, TIN PLATED WIRE BARRELS, OVER .000030 NICKEL.
- 14 PLATED WITH .000030 GOLD IN LOCALIZED GOLD PLATE AREA, TIN PLATED WIRE BARRELS, OVER .000050 NICKEL.
- 15 AMP ITALY PART NUMBER ONLY.

| STATUS                  | STANDARD   | FINISH | USE  | TYPE        | PART NUMBER |
|-------------------------|------------|--------|------|-------------|-------------|
| OBSOLETE                | STANDARD   | 13     | 3    | STRIP       | 7-66505-0   |
|                         | SMALL PACK | 8      | 2    | LOOSE PIECE | 6-66505-9   |
| SUPERSEDED BY 66505-9   | STANDARD   | 14     | 2    | LOOSE PIECE | 6-66505-2   |
| OBSOLETE                | STANDARD   | 14     | 1    | STRIP       | 6-66505-0   |
| OBSOLETE                | STANDARD   | 13     | 2    | LOOSE PIECE | 5-66505-9   |
| OBSOLETE                | STANDARD   | 13     | 1    | STRIP       | 5-66505-7   |
| 15 OBSOLETE             | STANDARD   | 12     | 1    | STRIP       | 5-66505-5   |
|                         | STANDARD   | 11     | 1    | STRIP       | 2-66505-7   |
| SUPERSEDED BY 5-66505-7 | STANDARD   | 10     | 1    | STRIP       | 1-66505-4   |
|                         | STANDARD   | 9      | 3    | STRIP       | 1-66505-3   |
| OBSOLETE                | STANDARD   | 8      | 3    | STRIP       | 1-66505-2   |
|                         | STANDARD   | 9      | 2    | LOOSE PIECE | 1-66505-0   |
|                         | STANDARD   | 8      | 2    | LOOSE PIECE | 66505-9     |
|                         | STANDARD   | 7      | 2    | LOOSE PIECE | 66505-8     |
|                         | STANDARD   | 9      | 1    | STRIP       | 66505-4     |
|                         | STANDARD   | 8      | 1    | STRIP       | 66505-3     |
|                         | STANDARD   | 7      | 1    | STRIP       | 66505-2     |
| PACKAGING TYPE          | FINISH     | USE    | TYPE | PART NUMBER |             |

THIS DRAWING IS A CONTROLLED DOCUMENT. DIMENSIONING AND TOLERANCING PER ASME Y14.5M-2009

DWN: C. RICHARD 1-6-87  
 CHK: S. WELDON 1-7-87  
 APVD: -  
 NAME: -  
 PRODUCT SPEC: -  
 APPLICATION SPEC: 114-10000  
 MATERIAL: PHOSPHOR BRONZE  
 FINISH: SEE TABLE  
 WEIGHT: -  
 CUSTOMER DRAWING

SOCKET CONTACT, SIZE 20 DF, 24-28 AWG, W/ .030-.040 DIA INSULATION SUPPORT,

SIZE: A2 CAGE CODE: 00779 DRAWING NO: C-66505 RESTRICTED TO: -  
 SCALE: 10:1 SHEET: 1 OF 1 REV: AT

单击下面可查看定价，库存，交付和生命周期等信息

[>>TE Connectivity\(泰科\)](#)