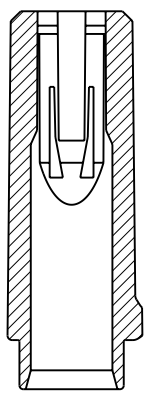
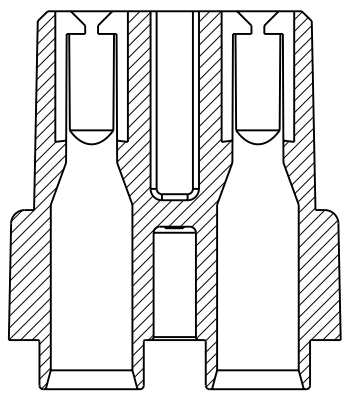
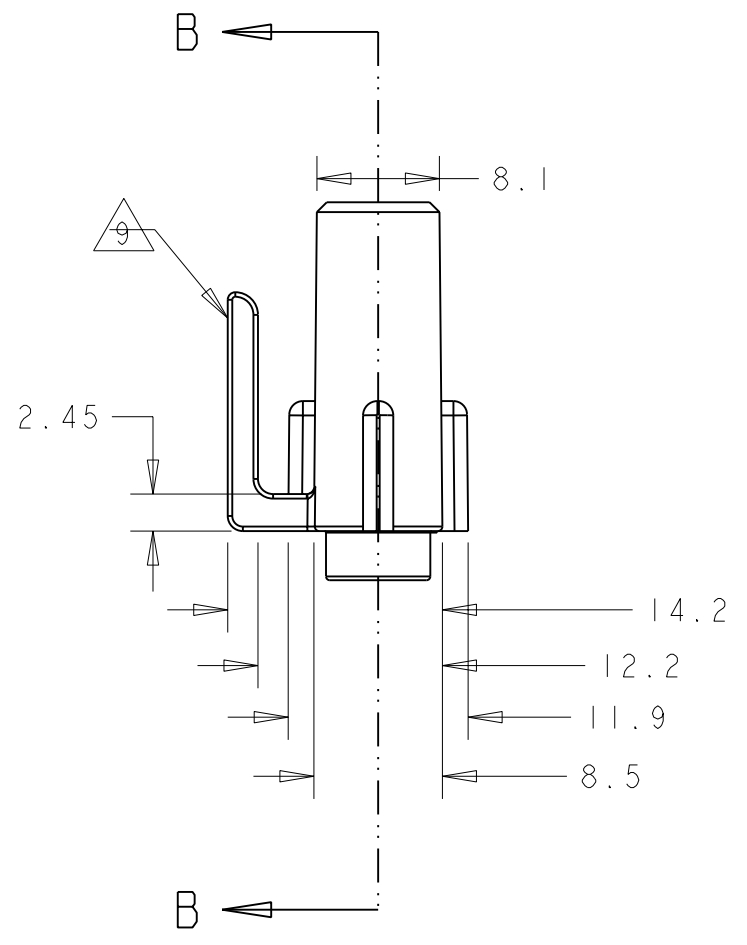
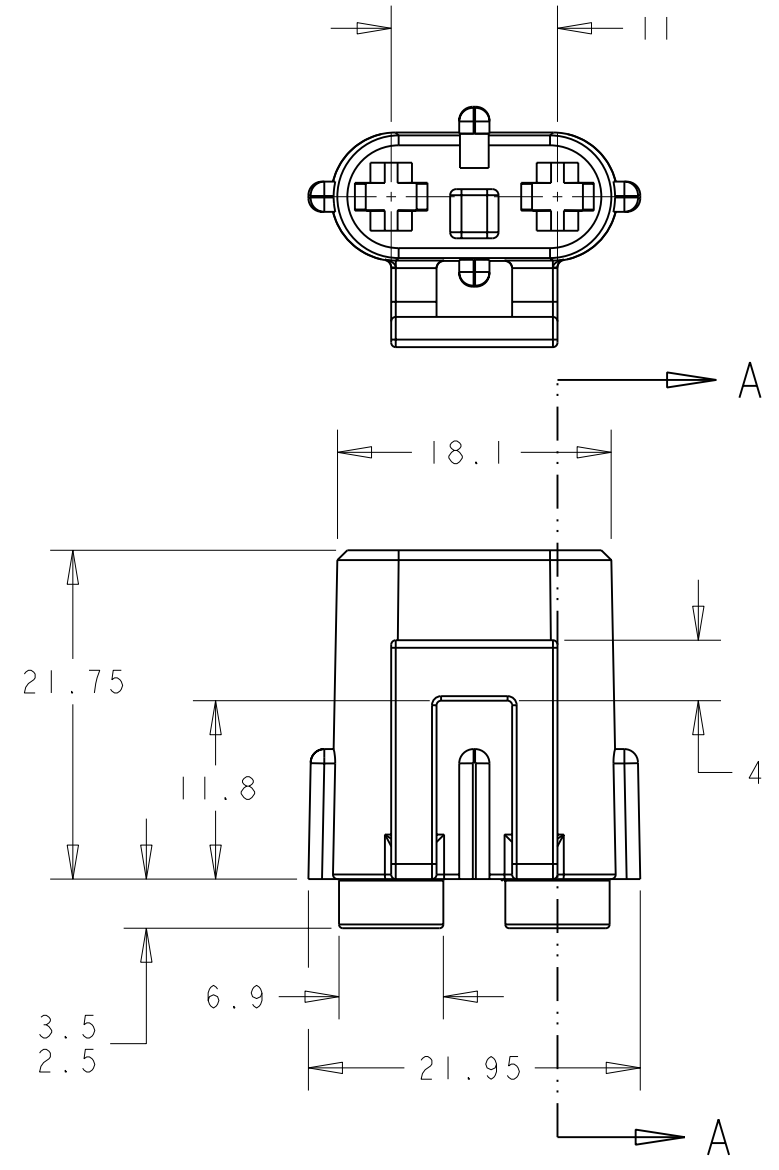


THIS DRAWING IS UNPUBLISHED. RELEASED FOR PUBLICATION 20  
 © COPYRIGHT 20 BY TYCO ELECTRONICS CORPORATION. ALL RIGHTS RESERVED.

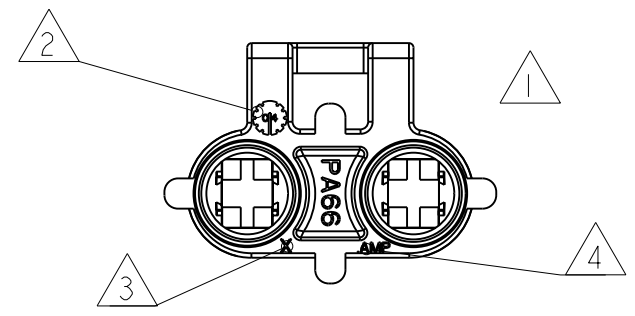
LOC	DIST	REVISIONS					
E	B	P	LTR	DESCRIPTION	DATE	DWN	APVD
			A	FIRST ISSUE	27-FEB-04		
			B	EBAO-0017-05	01-APRIL-05	MJH	RB
			C	ECR-05-007218	20-JUL-05	MJH	RB



SECTION A-A



SECTION B-B



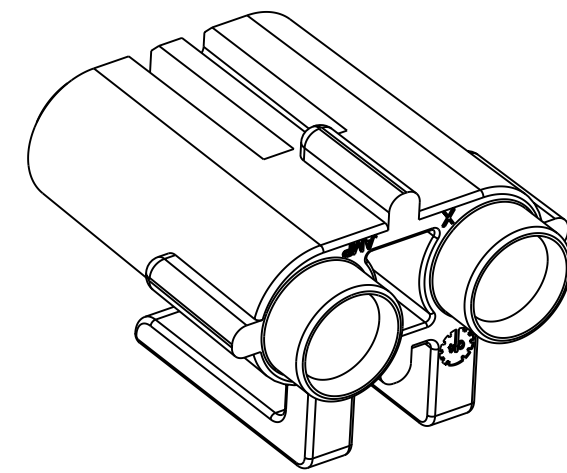
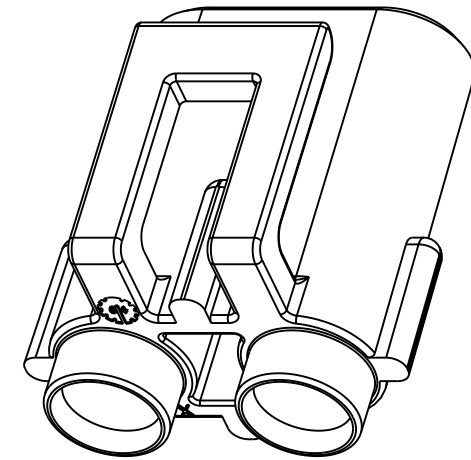
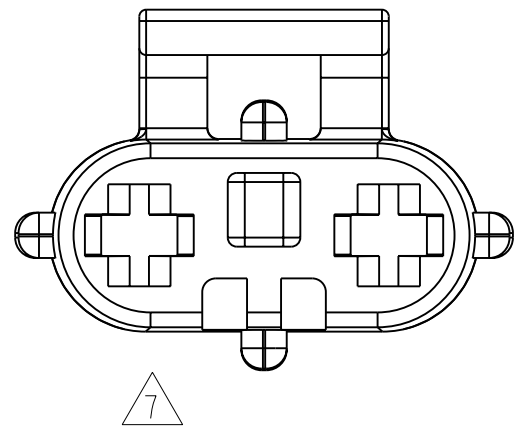
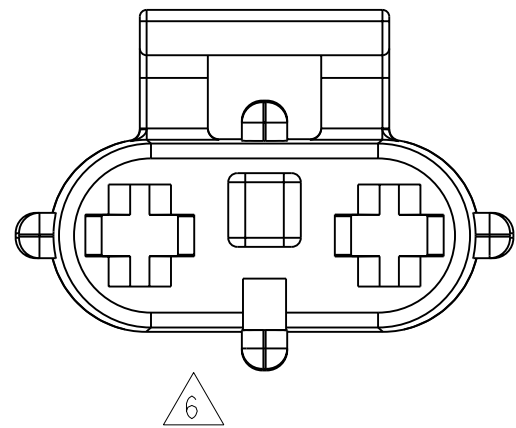
- NOTES:
- 1 MATERIAL CODE
  - 2 DATE CODE
  - 3 IMPRESSION IDENTIFICATION
  - 4 AMP LOGO ORIENTATED AND LOCATED AS SHOWN
  - 5. TERMINALS USED ON THIS CONNECTOR  
968849, 968851, 968853
  - 7 SINGLE INHIBITION SLOT
  - 8 TWO INHIBITION SLOTS
  - 9 AN AUDIBLE CLICK MUST BE HEARD FROM THE  
RETAINING LATCH WHEN MATING.

7	BLUE	PA66	1634784-2
6	GREY	PA66	1634784-1
INHIBITIONS	COLOUR	MATERIAL	PART NO

THIS DRAWING IS A CONTROLLED DOCUMENT FOR TYCO ELECTRONICS CORPORATION IT IS SUBJECT TO CHANGE AND THE CONTROLLING ENGINEERING ORGANIZATION SHOULD BE CONTACTED FOR THE LATEST REVISION.		DWN	27FEB2004	<b>tyco</b> <b>Electronics</b>	Tyco Electronics UK Ltd, Stanmore, Middx, HA7 4RS.	
DIMENSIONS: mm		CHK	27FEB2004		NAME	
TOLERANCES UNLESS OTHERWISE SPECIFIED:		APVD B. BAKER		2 POS MCP RECEPTACLE HOUSING		
0 PLC ±-		PRODUCT SPEC		SIZE		
1 PLC ±0.5		108-3639		CAGE CODE		DRAWING NO
2 PLC ±0.5		APPLICATION SPEC		A3		00779
3 PLC ±0.5		WEIGHT		C=		1634784
4 PLC ±-		2.5g		RESTRICTED TO		
ANGLES ±2		CUSTOMER DRAWING		SCALE		
FINISH -				2:1		
MATERIAL SEE TABLE				SHEET 1 OF 2		
				REV C		

THIS DRAWING IS UNPUBLISHED. RELEASED FOR PUBLICATION 20  
 © COPYRIGHT 20 BY TYCO ELECTRONICS CORPORATION. ALL RIGHTS RESERVED.

LOC		DIST		REVISIONS			
P	LTR	DESCRIPTION	DATE	DWN	APVD		
E	B						



INHIBITION DETAIL (SEE TABLE ON SHEET 1)

<small>THIS DRAWING IS A CONTROLLED DOCUMENT FOR TYCO ELECTRONICS CORPORATION          IT IS SUBJECT TO CHANGE AND THE CONTROLLING ENGINEERING ORGANIZATION          SHOULD BE CONTACTED FOR THE LATEST REVISION.</small>		DWN M. GREENER 27FEB2004 CHK M. HARRIS 27FEB2004 APVD B. BAKER PRODUCT SPEC		<b>tyco</b> <b>Electronics</b>		Tyco Electronics UK Ltd, Stanmore, Middx, HA7 4RS.	
DIMENSIONS: mm		TOLERANCES UNLESS OTHERWISE SPECIFIED: 0 PLC ± 1 PLC ±0.5 2 PLC ±0.5 3 PLC ±0.5 4 PLC ± ANGLES ±2		NAME 2 POS MCP RECEPTACLE HOUSING			
MATERIAL SEE SHT 1		FINISH		APPLICATION SPEC		RESTRICTED TO	
				WEIGHT		SIZE A3 CAGE CODE 00779 DRAWING NO C-1634784C	
CUSTOMER DRAWING				SCALE 2:1		SHEET 2 OF 2 REV C	

单击下面可查看定价，库存，交付和生命周期等信息

[>>TE Connectivity\(泰科\)](#)