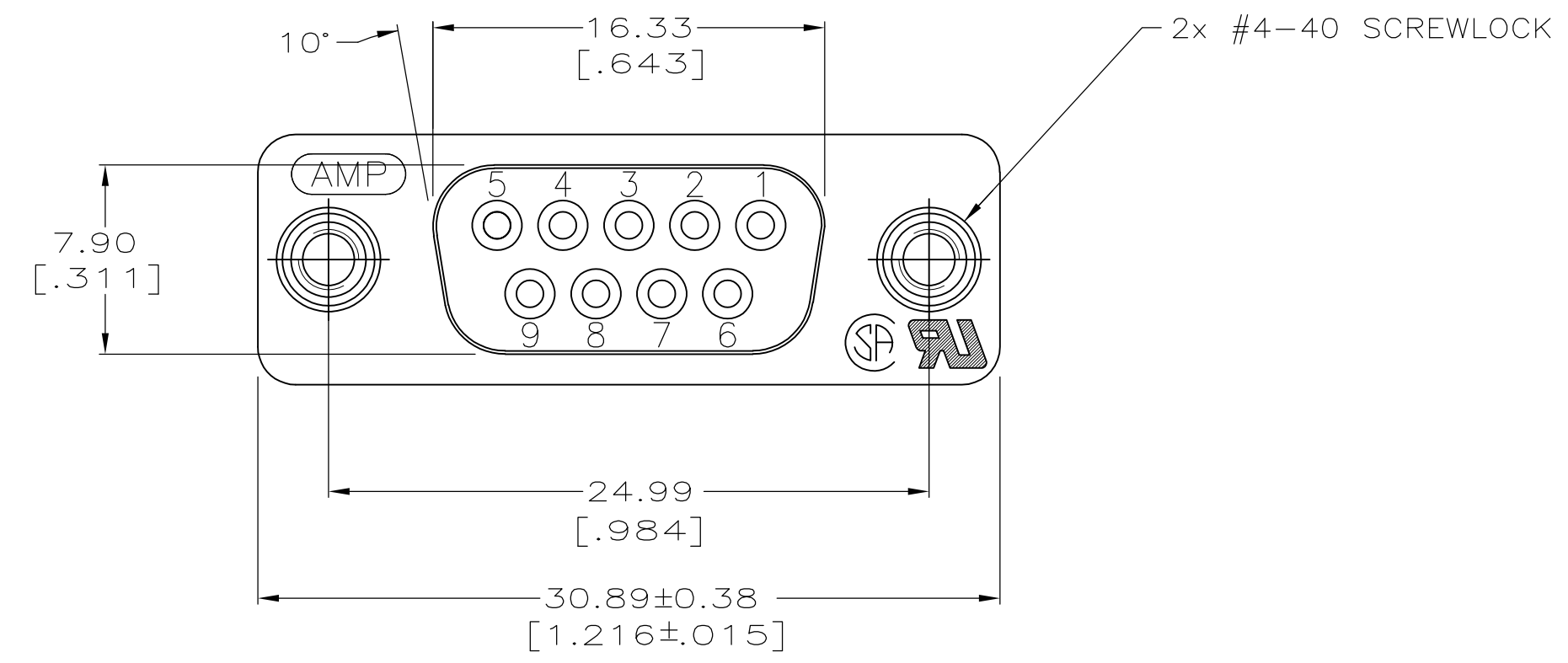
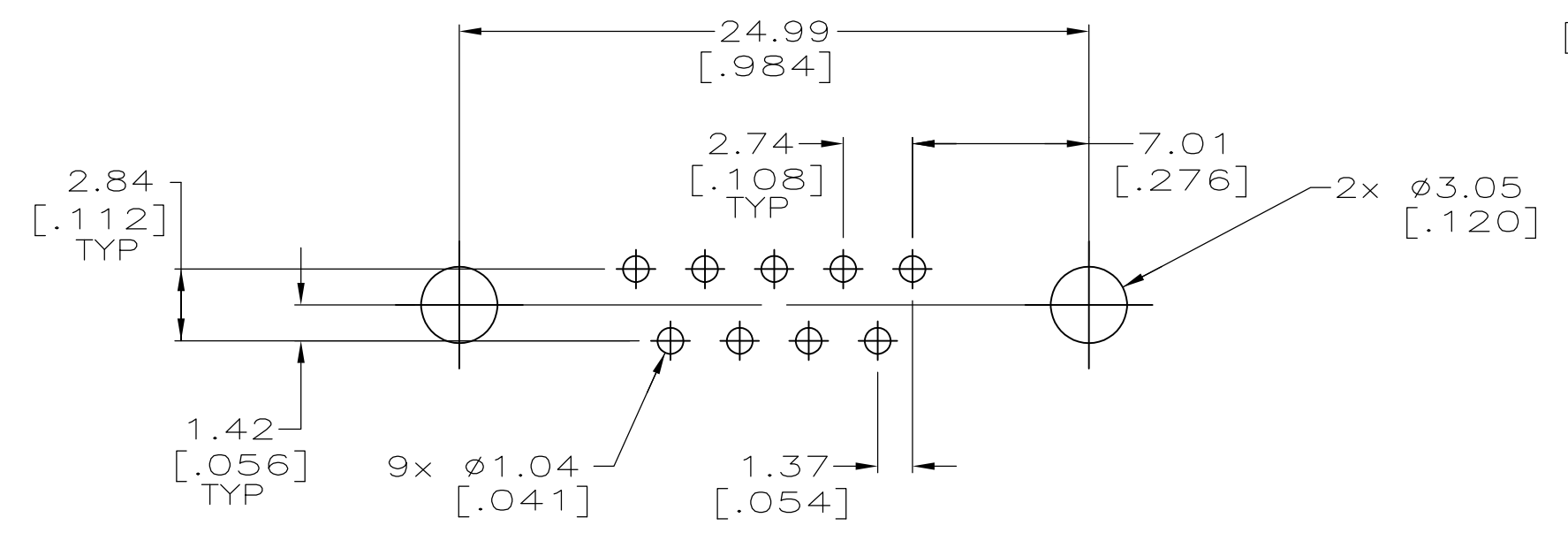
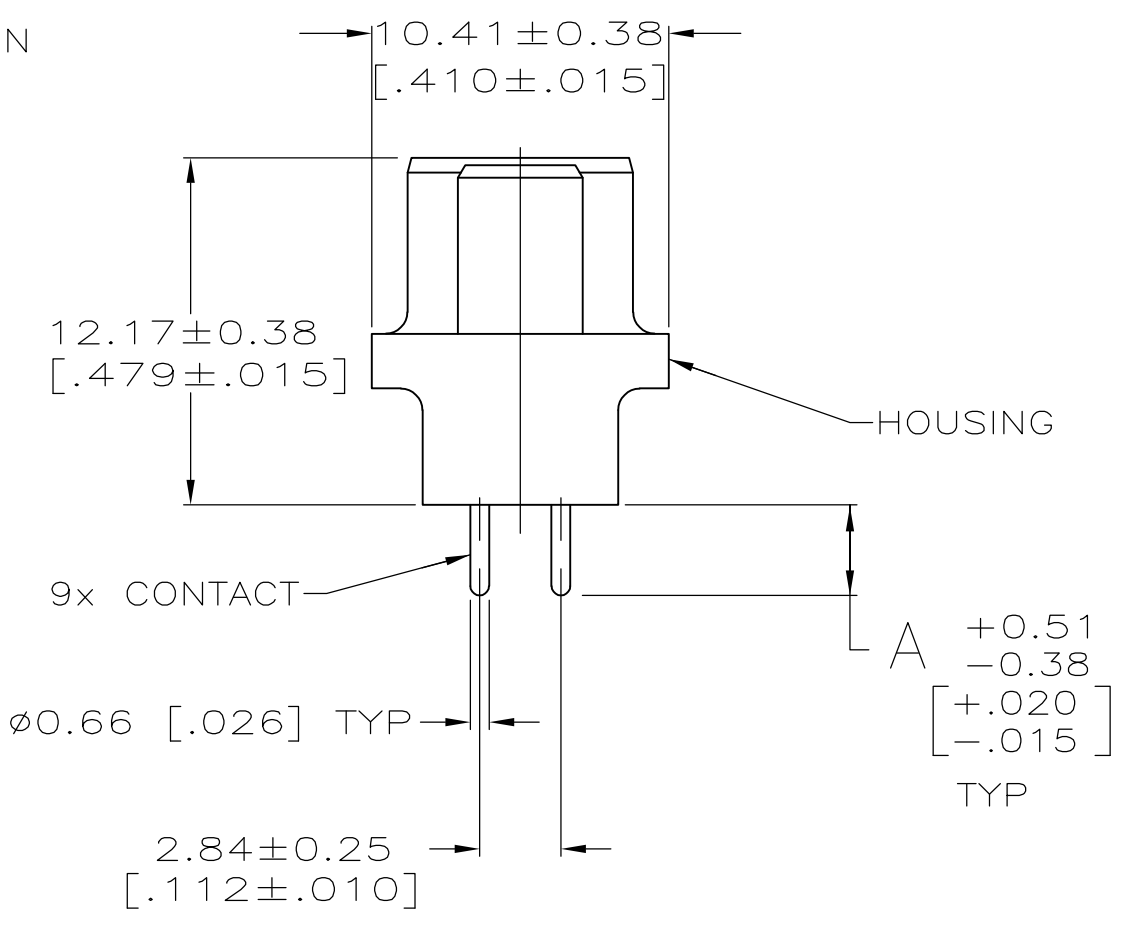
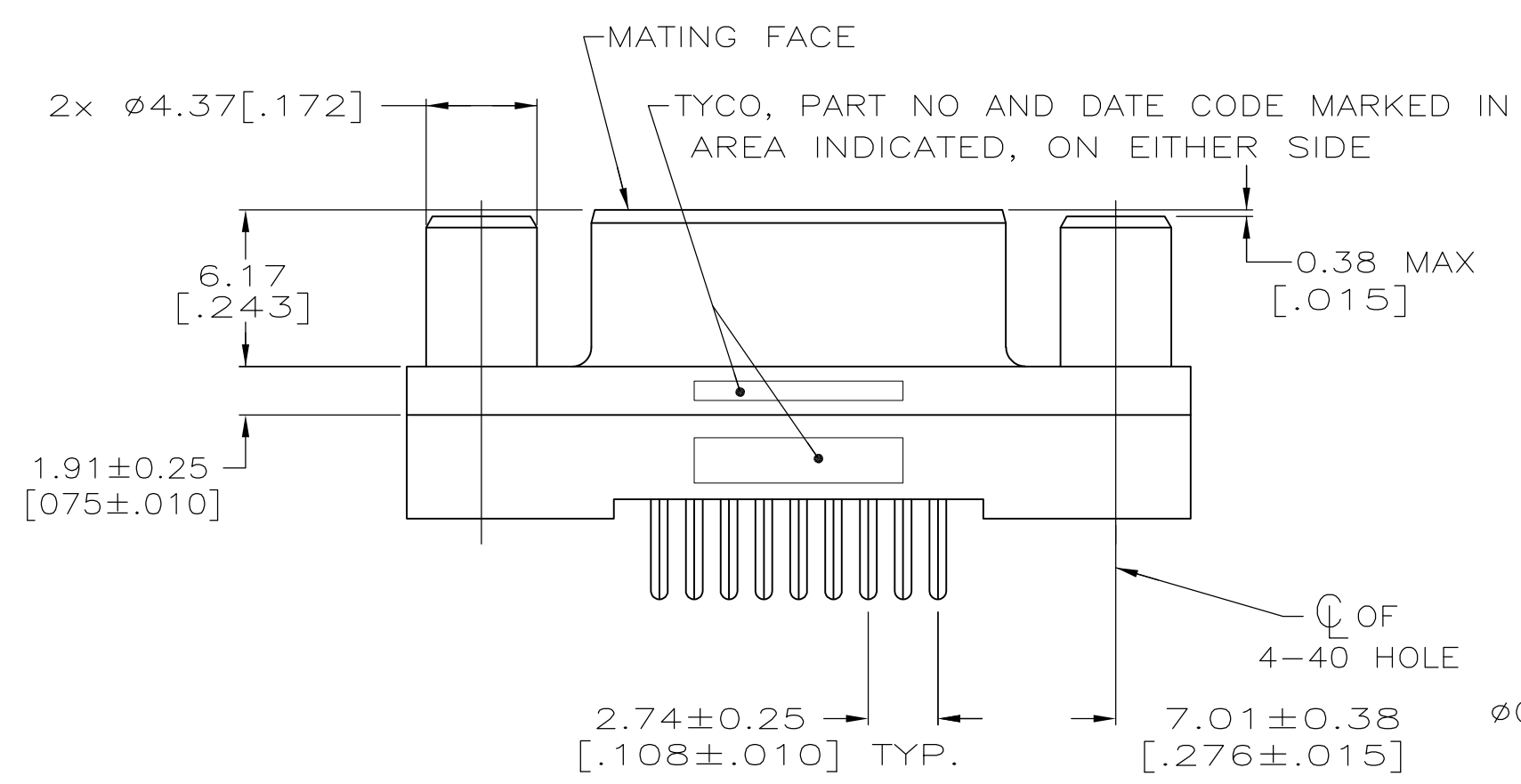


LOC	DIST	REVISIONS			
P	LTR	DESCRIPTION	DATE	OWN	APVD
GP	00	P	REVISED PER ECO-11-004835	11MAR11	RK HMR



- 1 HOUSING: BLACK POLYESTER, UL 94V-0 RATED.
CONTACTS: PHOSPHOR BRONZE.
SCREWLOCKS: BRASS.
- 2 CONTACTS: SEE TABLE.
SCREWLOCKS: 1.27 μm [.000050] MIN NICKEL OVER COPPER FLASH.
- 3 GOLD FLASH FOR A LENGTH OF 2.54 [.100] MIN FROM MATING END, 2.54 μm [.000100] MIN TIN ON OPPOSITE END, ALL OVER 1.27 μm [.000050] MIN NICKEL.
- 4 0.76 μm [.000030] MIN GOLD FOR A LENGTH OF 2.54 [.100] MIN FROM MATING END, 2.54 μm [.000100] MIN TIN ON OPPOSITE END, ALL OVER 1.27 μm [.000050] MIN NICKEL.



RECOMMENDED PC BOARD MOUNTING DIMENSIONS

**COPYRIGHT 2005
TE CONNECTIVITY CORP
ALL RIGHTS RESERVED**

4.32 [.170]	4	5745076-6
3.18 [.125]	4	5745076-4
3.18 [.125]	3	5745076-3
A	CONTACT FINISH	PART NO

THIS DRAWING IS A CONTROLLED DOCUMENT.		DWN	13SEP05	TE Connectivity
DIMENSIONS: mm[INCHES]		CHK	13SEP05	
TOLERANCES UNLESS OTHERWISE SPECIFIED:		APVD	13SEP05	
0 PLC ± - 1 PLC ± - 2 PLC ± 0.13 [.005] 3 PLC ± - 4 PLC ± - ± 2' ANGLES ± - ± 2' FINISH		NAME	M. WALMSLEY	
MATERIAL 1 FINISH 2		PRODUCT SPEC	108-40025	RECEPTACLE ASSEMBLY, SIZE 1, 9 POSN, VERTICAL, AMPLIMITE HD-20
CUSTOMER DRAWING		APPLICATION SPEC	-	SIZE A2 CAGE CODE 00779 DRAWING NO G-5745076
SCALE 4:1		WEIGHT	-	RESTRICTED TO
SHEET 1 OF 1		REV P		

单击下面可查看定价，库存，交付和生命周期等信息

[>>TE Connectivity\(泰科\)](#)

[>>点击查看相关商品](#)