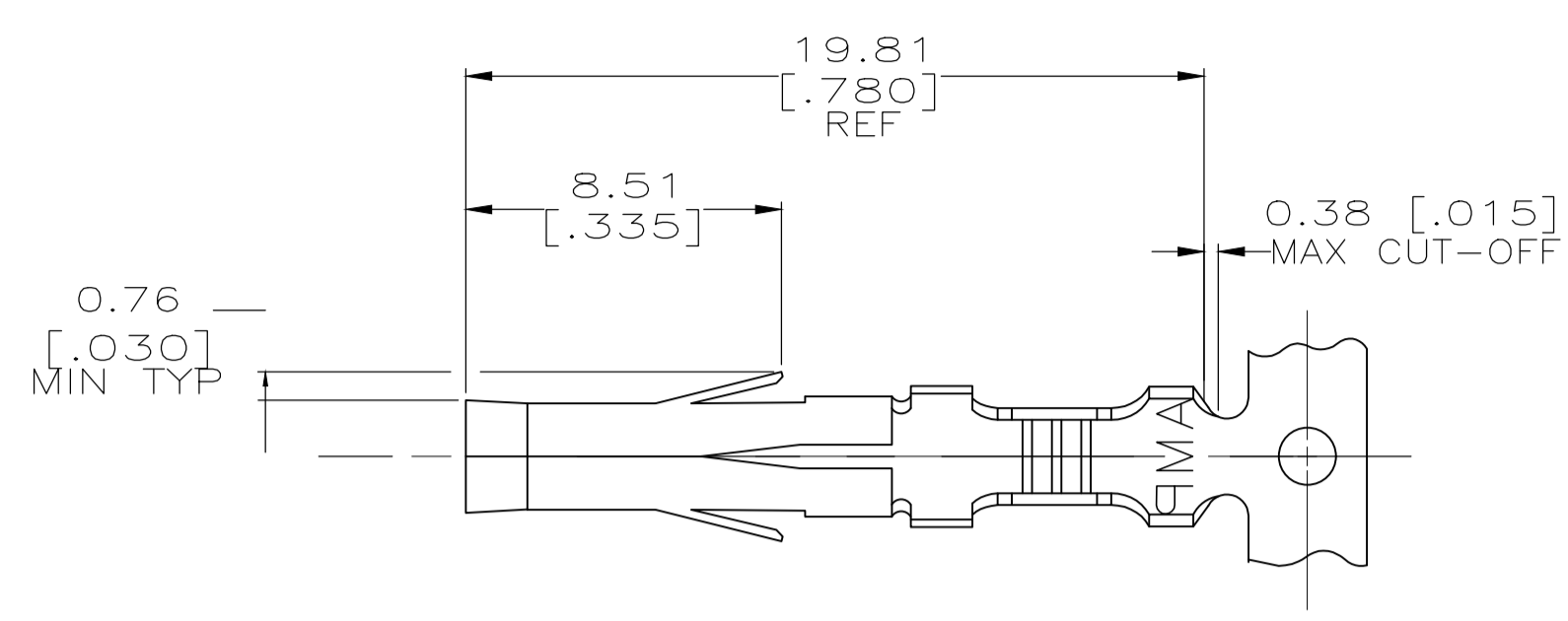
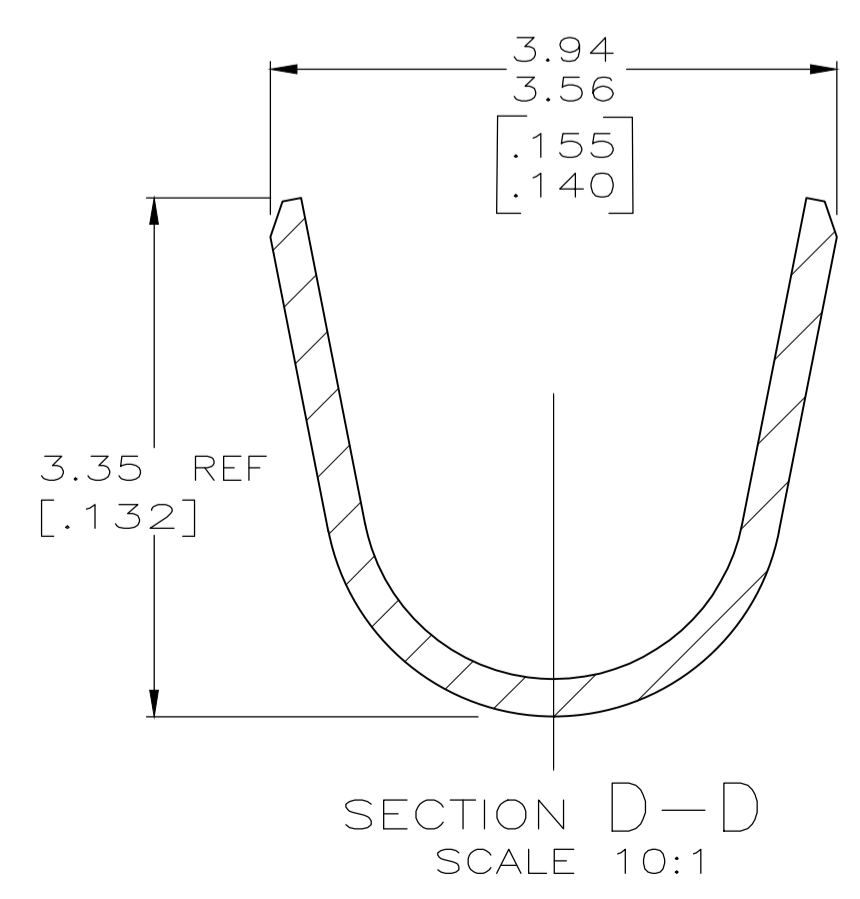
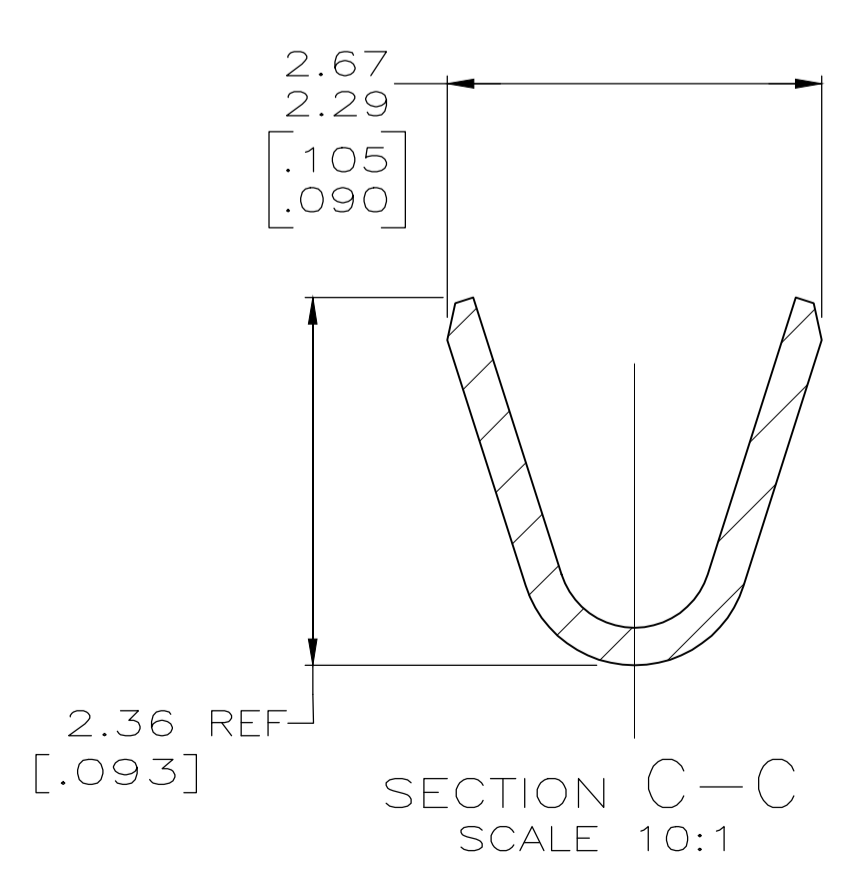
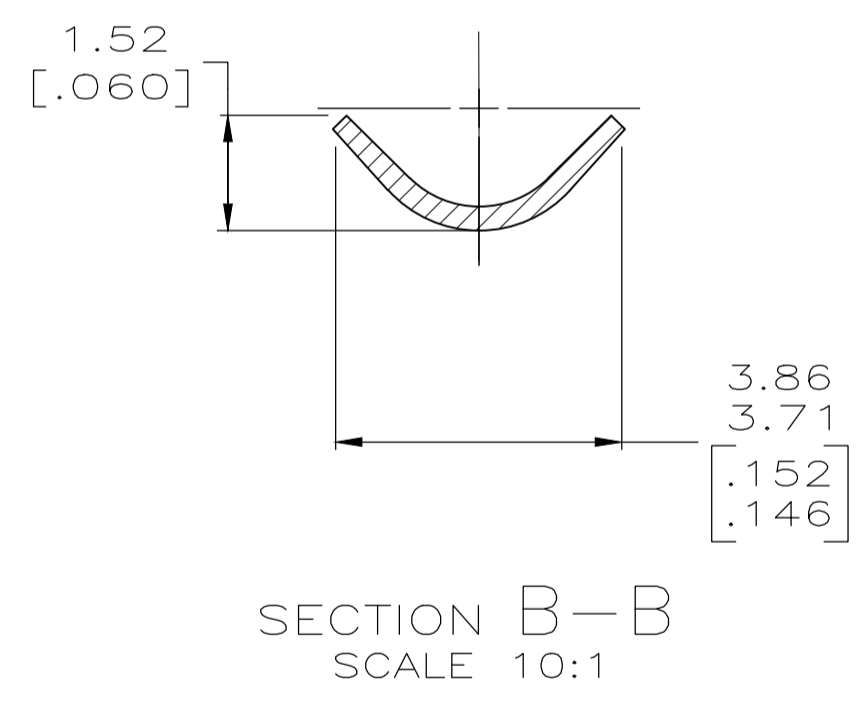
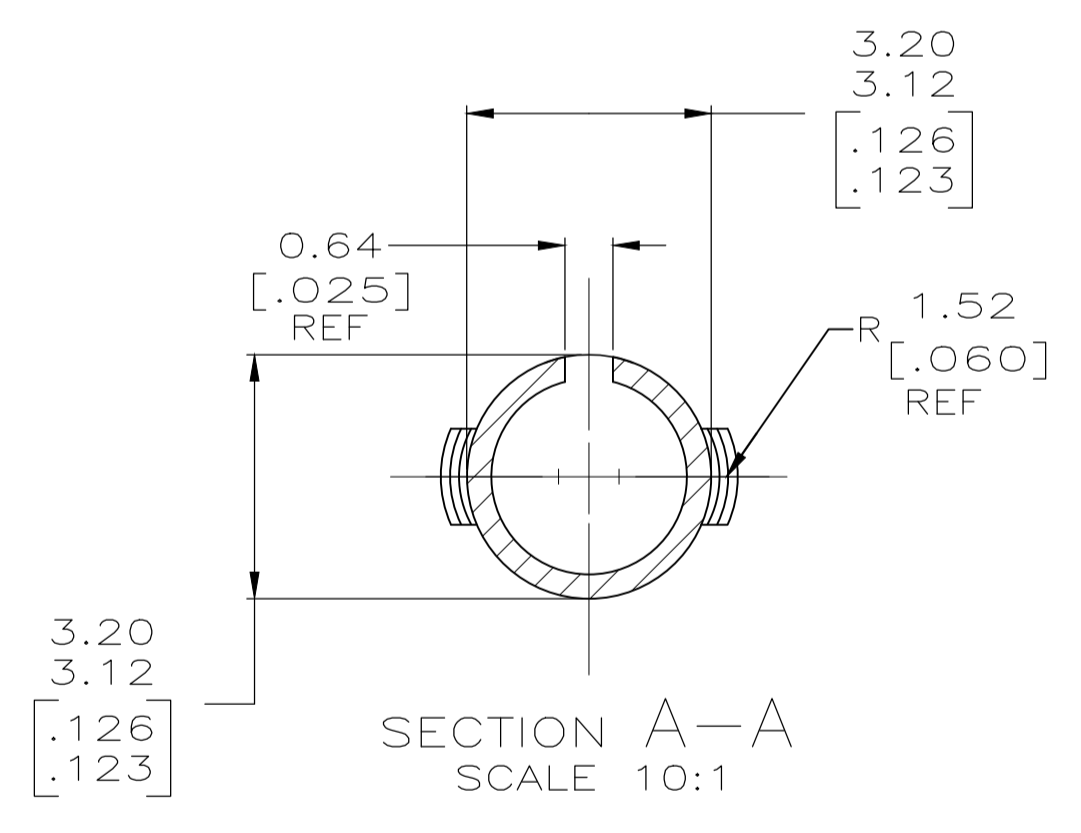
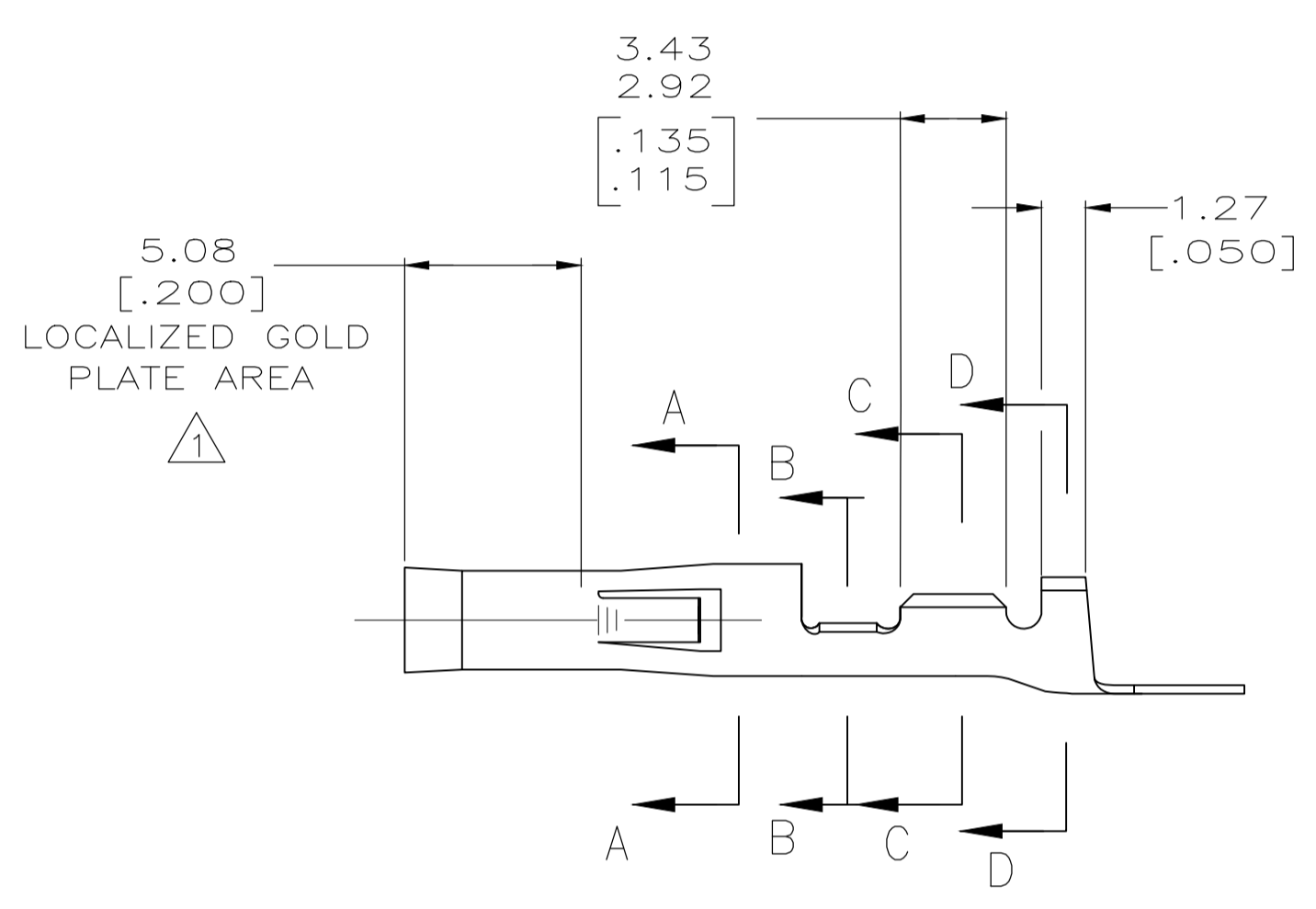
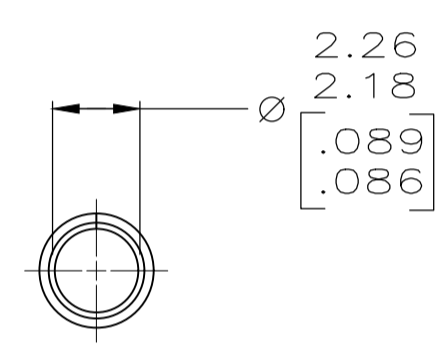


LOC		DIST		REVISIONS			
P	LTR	DESCRIPTION	DATE	DWN	APVD		
AP3		REVISED PER	REVISED PER	ECR-18-015418	13DEC2018	WH	DZ



- ① 0.000762 [.000030] MIN GOLD IN LOCALIZED GOLD PLATE AREA OVER 0.00127 [.000050] MIN NICKEL.
- 2 WIRE RANGE: 0.3 - 0.84mm² (24-18 AWG).
- 3 INSULATION RANGE: 2.79 [.110] MAX. DIA.
- 4 DIMENSIONS IN BRACKETS ARE IN INCHES.
- ⑤ 0.00127 [.000050] MIN NICKEL



METRIC

⑤	0.25 [.010] PH BRZ	350417-8
GOLD STRIPE	0.25 [.010] BRASS	350417-5
①	0.25 [.010] BRASS	350417-3
PRE-TIN	0.25 [.010] BRASS	350417-1
FINISH	MATERIAL	PART NO

DIMENSIONS:		TOLERANCES UNLESS OTHERWISE SPECIFIED:		DIN		NAME	
mm	[INCHES]	0 PLC	± -	K	WHITAKER	22NOV2005	TE Connectivity
		1 PLC	± -	CHK	D. COLEY	22NOV2005	
		2 PLC	± -	APPD	D. COLEY	22NOV2005	
		3 PLC	± 0.13 [.005]	PRODUCT SPEC			
		4 PLC	± -	APPLICATION SPEC			
		ANGLES	± ± 0°30'	114-49000			
MATERIAL	SEE TABLE	FINISH	SEE TABLE	WEIGHT	-	SIZE	CAGE CODE
						A1	00779
							DRAWING NO
							108-1038
							RESTRICTED TO
							1
							REV
							AP3

单击下面可查看定价，库存，交付和生命周期等信息

[>>TE Connectivity\(泰科\)](#)