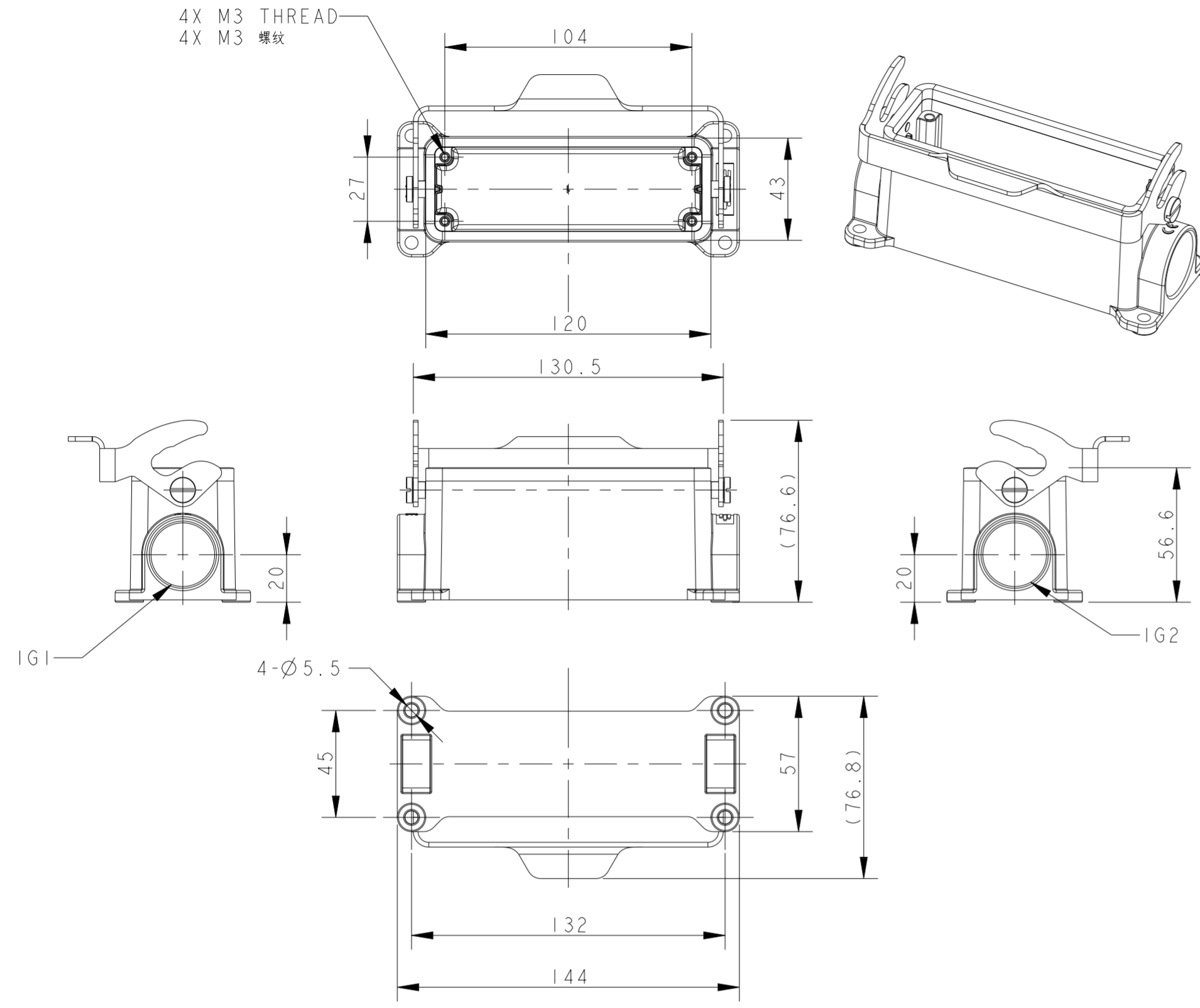


THIS DRAWING IS UNPUBLISHED. RELEASED FOR PUBLICATION 20
 © COPYRIGHT 20 BY - ALL RIGHTS RESERVED.

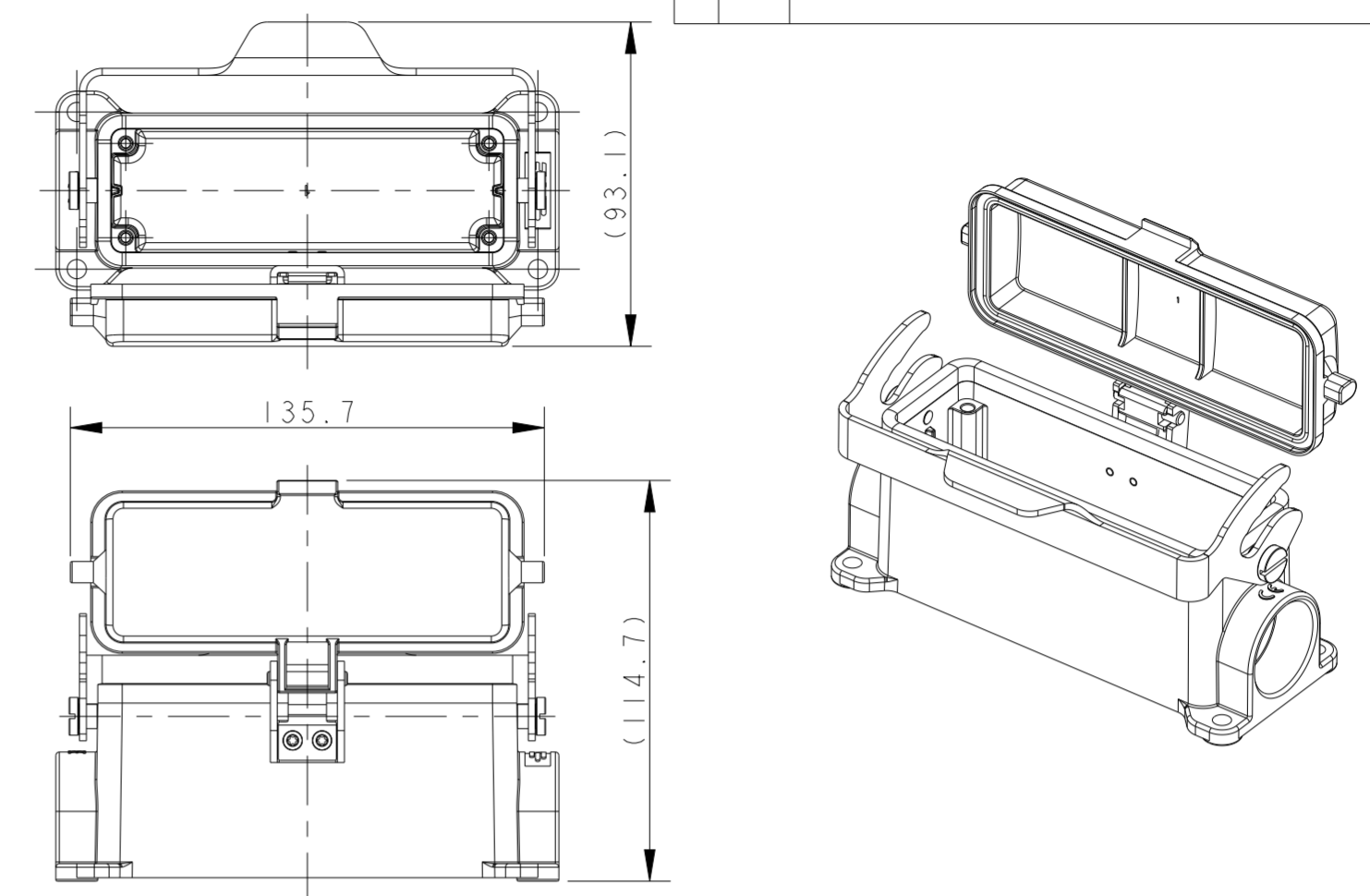
REVISIONS				
P	LTR	DESCRIPTION	DATE	APVD
A		INITIAL RELEASE	02JUL2015	DL CW
A1		ECR-18-019196	02JAN2019	WOR CW
B		ECR-20-014876	27JUL2021	WOR CW



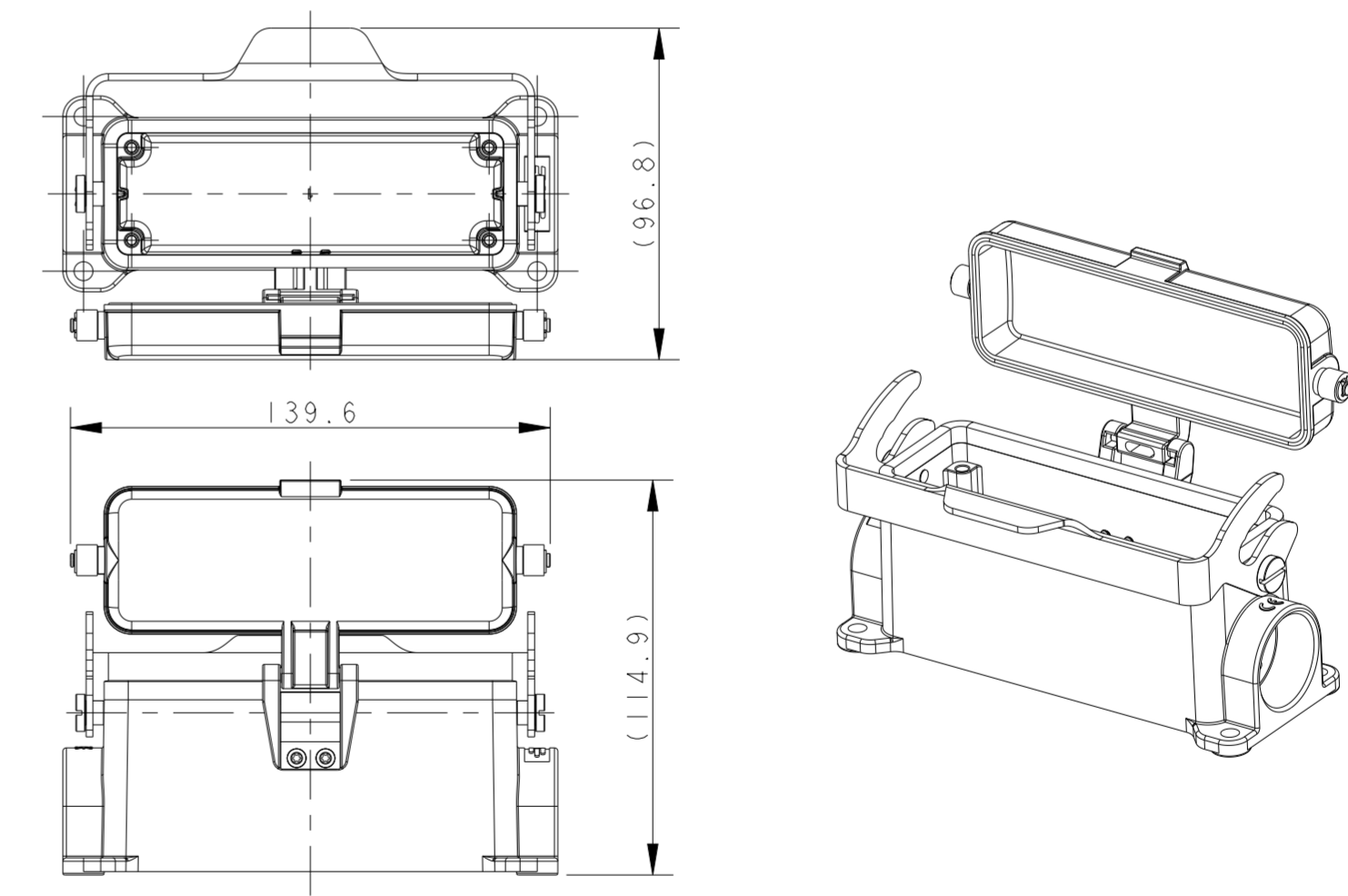
TYPE 1: H24B HOUSING, SURFACE MOUNTED, METAL SINGLE LOCKING.
 类型1: H24B下壳, 表面安装, 彩锌单扣.

NOTES:
 1. TECHNICAL CHARACTERISTICS:
 BODY MATERIAL: DIE CAST ALUMINIUM ALLOY
 SURFACE TREATMENT: POWDER-COATED, GRAY
 DEGREE OF PROTECTION: IP65 (MATED)

注释:
 1. 技术参数:
 主体材料: 铝合金
 表面处理: 粉末喷涂, 灰色
 防护等级: IP65(配合)



TYPE 2: H24B HOUSING, SURFACE MOUNTED, METAL SINGLE LOCKING+PLASTIC PROTECTION COVER
 OTHER SPEC REFER TO TYPE 1
 类型2: H24B下壳, 表面安装, 彩锌单扣+带塑料保护盖
 其余规范参考类型1



TYPE 3: H24B HOUSING, SURFACE MOUNTED, METAL SINGLE LOCKING+METAL PROTECTION COVER
 OTHER SPEC REFER TO TYPE 1
 类型3: H24B下壳, 表面安装, 彩锌单扣+带金属保护盖
 其余规范参考类型1

THIS DRAWING IS A CONTROLLED DOCUMENT.		DWN DAVID LI 02JUL2015	TE Connectivity	
		CHK CHRIS WANG 02JUL2015		
		APVD XU XIANG 02JUL2015	NAME H24B-SGR/SDR/SDRM/SGRH/SDRH/SDRHM-LB-PG/M	
DIMENSIONS: mm		PRODUCT SPEC 108-137013	SIZE A2	
TOLERANCES UNLESS OTHERWISE SPECIFIED:		APPLICATION SPEC 114-137013	CAGE CODE -	
0 PLC ±		WEIGHT -	DRAWING NO C-T16X0243XXXX00	
1 PLC ±		Customer Drawing	RESTRICTED TO -	
2 PLC ±			SCALE 1:2	
3 PLC ±			SHEET 1 OF 4	
4 PLC ±			REV B	
ANGLES ±				
FINISH -				

4

3

2

1

THIS DRAWING IS UNPUBLISHED. RELEASED FOR PUBLICATION 20
 © COPYRIGHT 20 BY - ALL RIGHTS RESERVED.

REVISIONS					
P	LTR	DESCRIPTION	DATE	DWN	APVD
-	-	SEE SHEET 1	-	-	-

TYPE 4: H24B HOUSING, SURFACE MOUNTED, METAL SINGLE LOCKING, SIDE ENTRY 2M25, BOTTOM ENTRY M20+PLASTIC PROTECTION COVER
 OTHER SPEC REFER TO TYPE 2

类型4: H24B下壳, 表面安装, 彩锌单扣, 侧出2M25, 底出M20+带塑料保护盖
 其余规范参考类型2

T1610243121-000	H24B-SGR-LB-PG21	H24B HOUSING, SURFACE MOUNTED, METAL SINGLE LOCKING, PG21, POWDER COATED, GREY H24B下壳, 表面安装, 彩锌单扣, PG21, 灰色粉末喷涂	PG21	-	TYPE 1 类型 1
T1610243125-000	H24B-SGR-LB-M25	H24B HOUSING, SURFACE MOUNTED, METAL SINGLE LOCKING, M25, POWDER COATED, GREY H24B下壳, 表面安装, 彩锌单扣, M25, 灰色粉末喷涂	M25	-	
T1610243221-000	H24B-SGR-LB-2PG21	H24B HOUSING, SURFACE MOUNTED, METAL SINGLE LOCKING, 2PG21, POWDER COATED, GREY H24B下壳, 表面安装, 彩锌单扣, 2PG21, 灰色粉末喷涂	PG21	PG21	
T1610243225-000	H24B-SGR-LB-2M25	H24B HOUSING, SURFACE MOUNTED, METAL SINGLE LOCKING, 2M25, POWDER COATED, GREY H24B下壳, 表面安装, 彩锌单扣, 2M25, 灰色粉末喷涂	M25	M25	TYPE 2 类型 2
T1620243121-000	H24B-SDR-LB-PG21	H24B HOUSING, SURFACE MOUNTED, METAL SINGLE LOCKING, PG21, PLASTIC PROTECTION COVER, POWDER COATED, GREY H24B下壳, 表面安装, 彩锌单扣, PG21, 带塑料保护盖, 灰色粉末喷涂	PG21	-	
T1620243125-000	H24B-SDR-LB-M25	H24B HOUSING, SURFACE MOUNTED, METAL SINGLE LOCKING, M25, PLASTIC PROTECTION COVER, POWDER COATED, GREY H24B下壳, 表面安装, 彩锌单扣, M25, 带塑料保护盖, 灰色粉末喷涂	M25	-	
T1620243221-000	H24B-SDR-LB-2PG21	H24B HOUSING, SURFACE MOUNTED, METAL SINGLE LOCKING, 2PG21, PLASTIC PROTECTION COVER, POWDER COATED, GREY H24B下壳, 表面安装, 彩锌单扣, 2PG21, 带塑料保护盖, 灰色粉末喷涂	PG21	PG21	TYPE 3 类型 3
T1620243225-000	H24B-SDR-LB-2M25	H24B HOUSING, SURFACE MOUNTED, METAL SINGLE LOCKING, 2M25, PLASTIC PROTECTION COVER, POWDER COATED, GREY H24B下壳, 表面安装, 彩锌单扣, 2M25, 带塑料保护盖, 灰色粉末喷涂	M25	M25	
T1620243421-000	H24B-SDRM-LB-PG21	H24B HOUSING, SURFACE MOUNTED, METAL SINGLE LOCKING, PG21, METAL PROTECTION COVER, POWDER COATED, GREY H24B下壳, 表面安装, 彩锌单扣, PG21, 带金属保护盖, 灰色粉末喷涂	PG21	-	
T1620243425-000	H24B-SDRM-LB-M25	H24B HOUSING, SURFACE MOUNTED, METAL SINGLE LOCKING, M25, METAL PROTECTION COVER, POWDER COATED, GREY H24B下壳, 表面安装, 彩锌单扣, M25, 带金属保护盖, 灰色粉末喷涂	M25	-	TYPE 4 类型 4
T1620243321-000	H24B-SDRM-LB-2PG21	H24B HOUSING, SURFACE MOUNTED, METAL SINGLE LOCKING, 2PG21, METAL PROTECTION COVER, POWDER COATED, GREY H24B下壳, 表面安装, 彩锌单扣, 2PG21, 带金属保护盖, 灰色粉末喷涂	PG21	PG21	
T1620243325-000	H24B-SDRM-LB-2M25	H24B HOUSING, SURFACE MOUNTED, METAL SINGLE LOCKING, 2M25, METAL PROTECTION COVER, POWDER COATED, GREY H24B下壳, 表面安装, 彩锌单扣, 2M25, 带金属保护盖, 灰色粉末喷涂	M25	M25	
T1620242520-000	H24B-SDR-LB-2M25/M20	H24B HOUSING, SURFACE MOUNTED, METAL SINGLE LOCKING, SIDE ENTRY 2M25, BOTTOM ENTRY M20, PLASTIC PROTECTION COVER, POWDER COATED, GREY H24B下壳, 表面安装, 彩锌单扣, 侧出2M25, 底出M20, 带塑料保护盖, 灰色粉末喷涂	M25	M25	TYPE 4 类型 4
PART NUMBER 料号	DESCRIPTION 描述		IG1	IG2	TYPE 类型

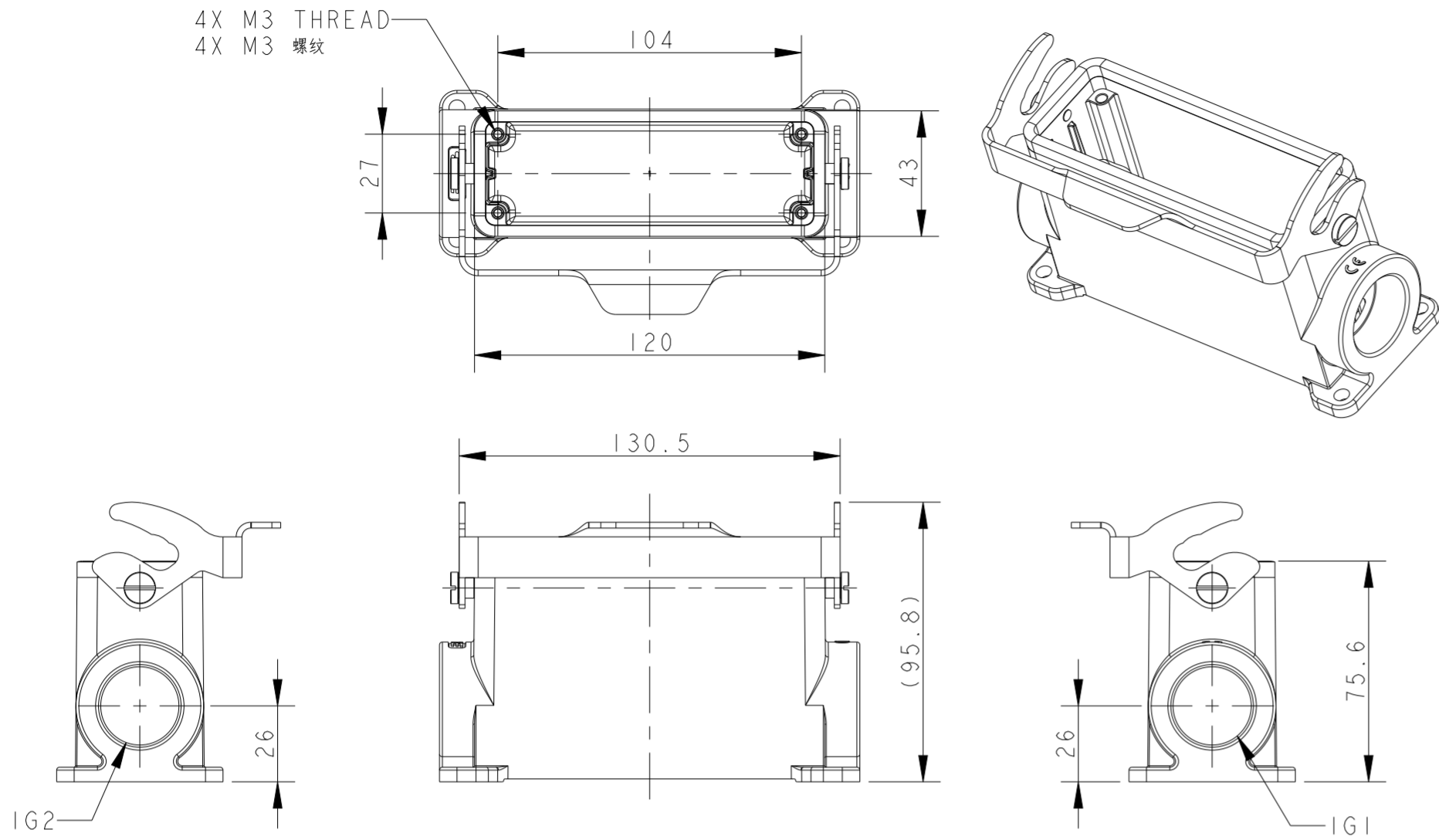
THIS DRAWING IS A CONTROLLED DOCUMENT.		DWN DAVID LI 02 JUL 2015	TE Connectivity																	
		CHK CHRIS WANG 02 JUL 2015																		
DIMENSIONS: mm		APVD XU XIANG 02 JUL 2015	NAME H24B-SGR/SDR/SDRM/SGRH/SDRH/ SDRHM-LB-PG/M																	
TOLERANCES UNLESS OTHERWISE SPECIFIED:		PRODUCT SPEC 108-137013	APPLICATION SPEC 114-137013																	
<table border="1"> <tr><td>0 PLC</td><td>±</td></tr> <tr><td>1 PLC</td><td>±</td></tr> <tr><td>2 PLC</td><td>±</td></tr> <tr><td>3 PLC</td><td>±</td></tr> <tr><td>4 PLC</td><td>±</td></tr> <tr><td>ANGLES</td><td>±</td></tr> <tr><td>FINISH</td><td>±</td></tr> </table>		0 PLC	±	1 PLC	±	2 PLC	±	3 PLC	±	4 PLC	±	ANGLES	±	FINISH	±	WEIGHT -	SIZE A2	CAGE CODE -	DRAWING NO G-T16X0243XXXX00	RESTRICTED TO -
0 PLC	±																			
1 PLC	±																			
2 PLC	±																			
3 PLC	±																			
4 PLC	±																			
ANGLES	±																			
FINISH	±																			
MATERIAL -		Customer Drawing	SCALE 1:2	SHEET 2 OF 4	REV B															

1471-9 (3/13)

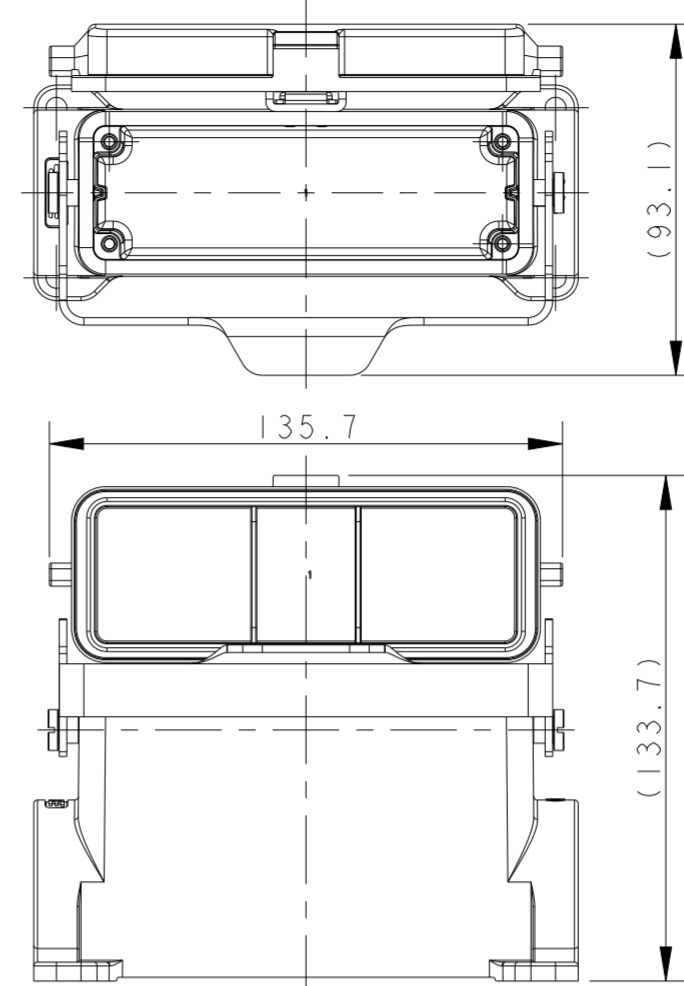
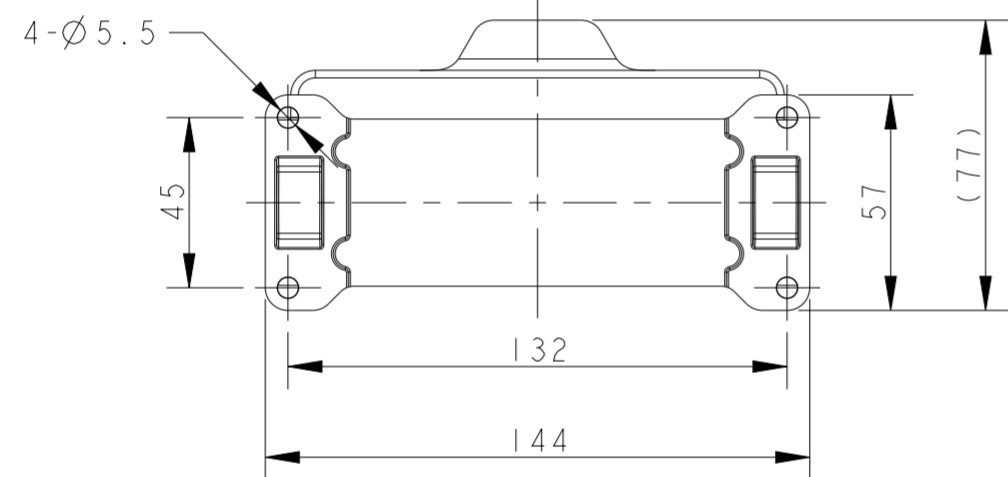
Downloaded From Onevac.com

THIS DRAWING IS UNPUBLISHED. RELEASED FOR PUBLICATION 20
 © COPYRIGHT 20 BY - ALL RIGHTS RESERVED.

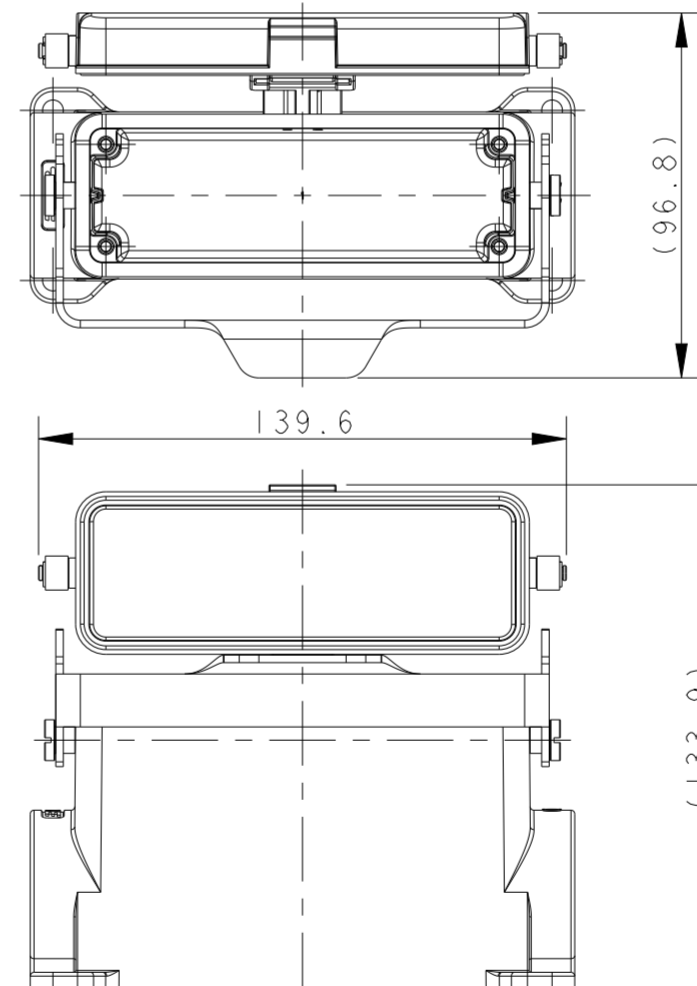
REVISIONS					
P	LTR	DESCRIPTION	DATE	DWN	APVD
-		SEE SHEET 1	-	-	-



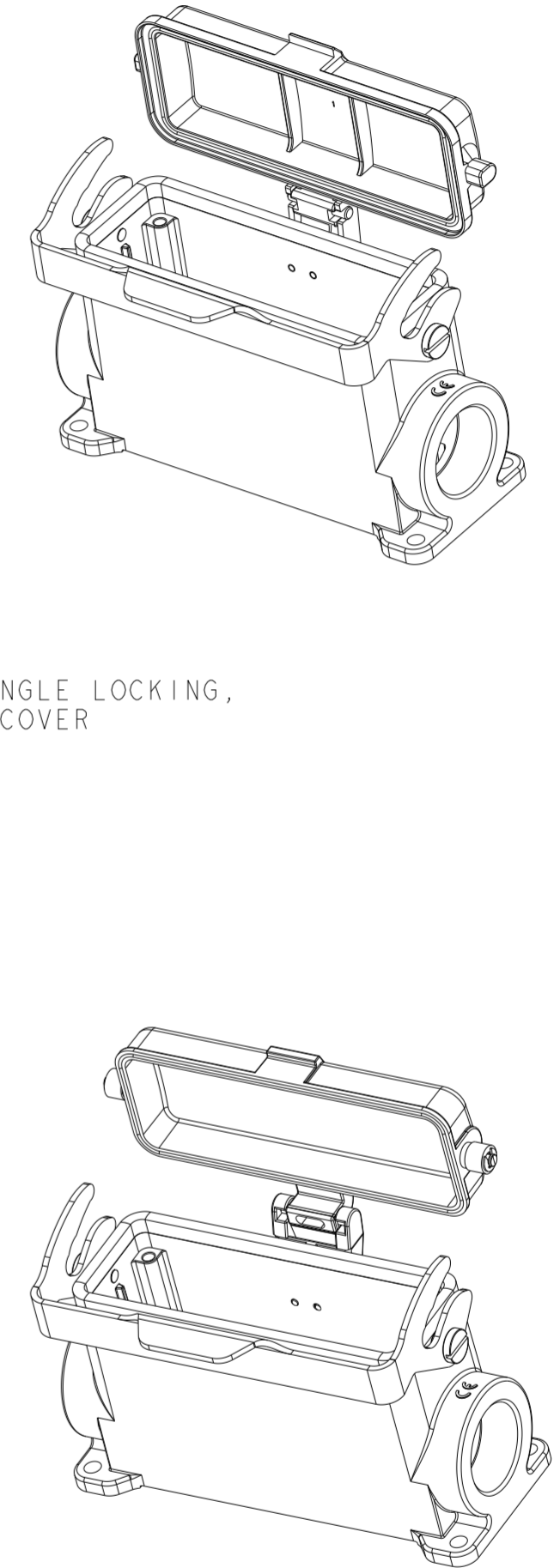
TYPE 5: H24B HOUSING, SURFACE MOUNTED, METAL SINGLE LOCKING, HIGH CONSTRUCTION
 类型5: H24B下壳, 表面安装, 彩锌单扣, 高结构



TYPE 6: H24B HOUSING, SURFACE MOUNTED, METAL SINGLE LOCKING, HIGH CONSTRUCTION+PLASTIC PROTECTION COVER
 OTHER SPEC REFER TO TYPE 5
 类型6: H24B下壳, 表面安装, 彩锌单扣, 高结构+带塑料保护盖
 其余规范参考类型5



TYPE 7: H24B HOUSING, SURFACE MOUNTED, METAL SINGLE LOCKING, HIGH CONSTRUCTION+METAL PROTECTION COVER
 OTHER SPEC REFER TO TYPE 5
 类型7: H24B下壳, 表面安装, 彩锌单扣, 高结构+带金属保护盖
 其余规范参考类型5



THIS DRAWING IS A CONTROLLED DOCUMENT.		DWN DAVID LI 02JUL2015	TE Connectivity		
DIMENSIONS: mm		CHK CHRIS WANG 02JUL2015			
TOLERANCES UNLESS OTHERWISE SPECIFIED:		APVD XU XIANG 02JUL2015	PRODUCT SPEC 108-137013		
0 PLC ±		APPLICATION SPEC 114-137013		SIZE A2	RESTRICTED TO -
1 PLC ±		WEIGHT -		CAGE CODE -	DRAWING NO. C-T16X0243XXXX00
2 PLC ±		Customer Drawing		SCALE 1:2	SHEET 3 OF 4
3 PLC ±					REV B
4 PLC ±					
ANGLES ±					
FINISH -					

THIS DRAWING IS UNPUBLISHED. RELEASED FOR PUBLICATION 20
 © COPYRIGHT 20 BY - ALL RIGHTS RESERVED.

REVISIONS					
P	LTR	DESCRIPTION	DATE	DWN	APVD
-		SEE SHEET 1	-	-	-

PART NUMBER	DESCRIPTION	IG1	IG2	TYPE
T1650243121-000	H24B-SGRH-LB-PG21 H24B HOUSING,SURFACE MOUNTED,METAL SINGLE LOCKING, PG21, HIGH CONSTRUCTION, POWDER COATED, GREY H24B下壳,表面安装,彩锌单扣,PG21,高结构,灰色粉末喷涂	PG21	-	TYPE 5 类型 5
T1650243125-000	H24B-SGRH-LB-M25 H24B HOUSING,SURFACE MOUNTED,METAL SINGLE LOCKING, M25, HIGH CONSTRUCTION, POWDER COATED, GREY H24B下壳,表面安装,彩锌单扣,M25,高结构,灰色粉末喷涂	M25	-	
T1650243129-000	H24B-SGRH-LB-PG29 H24B HOUSING,SURFACE MOUNTED,METAL SINGLE LOCKING, PG29, HIGH CONSTRUCTION, POWDER COATED, GREY H24B下壳,表面安装,彩锌单扣,PG29,高结构,灰色粉末喷涂	PG29	-	
T1650243132-000	H24B-SGRH-LB-M32 H24B HOUSING,SURFACE MOUNTED,METAL SINGLE LOCKING, M32, HIGH CONSTRUCTION, POWDER COATED, GREY H24B下壳,表面安装,彩锌单扣,M32,高结构,灰色粉末喷涂	M32	-	
T1650243221-000	H24B-SGRH-LB-2PG21 H24B HOUSING,SURFACE MOUNTED,METAL SINGLE LOCKING, 2PG21, HIGH CONSTRUCTION, POWDER COATED, GREY H24B下壳,表面安装,彩锌单扣,2PG21,高结构,灰色粉末喷涂	PG21	PG21	
T1650243229-000	H24B-SGRH-LB-2PG29 H24B HOUSING,SURFACE MOUNTED,METAL SINGLE LOCKING, 2PG29, HIGH CONSTRUCTION, POWDER COATED, GREY H24B下壳,表面安装,彩锌单扣,2PG29,高结构,灰色粉末喷涂	PG29	PG29	
T1650243232-000	H24B-SGRH-LB-2M32 H24B HOUSING,SURFACE MOUNTED,METAL SINGLE LOCKING, 2M32, HIGH CONSTRUCTION, POWDER COATED, GREY H24B下壳,表面安装,彩锌单扣,2M32,高结构,灰色粉末喷涂	M32	M32	
T1660243121-000	H24B-SDRH-LB-PG21 H24B HOUSING,SURFACE MOUNTED,METAL SINGLE LOCKING,PG21, HIGH CONSTRUCTION, PLASTIC PROTECTION COVER, POWDER COATED, GREY H24B下壳,表面安装,彩锌单扣,PG21,高结构,带塑料保护盖,灰色粉末喷涂	PG21	-	TYPE 6 类型 6
T1660243129-000	H24B-SDRH-LB-PG29 H24B HOUSING,SURFACE MOUNTED,METAL SINGLE LOCKING,PG29, HIGH CONSTRUCTION, PLASTIC PROTECTION COVER, POWDER COATED, GREY H24B下壳,表面安装,彩锌单扣,PG29,高结构,带塑料保护盖,灰色粉末喷涂	PG29	-	
T1660243132-000	H24B-SDRH-LB-M32 H24B HOUSING,SURFACE MOUNTED,METAL SINGLE LOCKING,M32, HIGH CONSTRUCTION, PLASTIC PROTECTION COVER, POWDER COATED, GREY H24B下壳,表面安装,彩锌单扣,M32,高结构,带塑料保护盖,灰色粉末喷涂	M32	-	
T1660243221-000	H24B-SDRH-LB-2PG21 H24B HOUSING,SURFACE MOUNTED,METAL SINGLE LOCKING,2PG21, HIGH CONSTRUCTION, PLASTIC PROTECTION COVER, POWDER COATED, GREY H24B下壳,表面安装,彩锌单扣,2PG21,高结构,带塑料保护盖,灰色粉末喷涂	PG21	PG21	
T1660243229-000	H24B-SDRH-LB-2PG29 H24B HOUSING,SURFACE MOUNTED,METAL SINGLE LOCKING,2PG29, HIGH CONSTRUCTION, PLASTIC PROTECTION COVER, POWDER COATED, GREY H24B下壳,表面安装,彩锌单扣,2PG29,高结构,带塑料保护盖,灰色粉末喷涂	PG29	PG29	
T1660243232-000	H24B-SDRH-LB-2M32 H24B HOUSING,SURFACE MOUNTED,METAL SINGLE LOCKING,2M32, HIGH CONSTRUCTION, PLASTIC PROTECTION COVER, POWDER COATED, GREY H24B下壳,表面安装,彩锌单扣,2M32,高结构,带塑料保护盖,灰色粉末喷涂	M32	M32	
T1660243121-100	H24B-SDRHM-LB-PG21 H24B HOUSING,SURFACE MOUNTED,METAL SINGLE LOCKING,PG21, HIGH CONSTRUCTION, METAL PROTECTION COVER, POWDER COATED, GREY H24B下壳,表面安装,彩锌单扣,PG21,高结构,带金属保护盖,灰色粉末喷涂	PG21	-	
T1660243129-100	H24B-SDRHM-LB-PG29 H24B HOUSING,SURFACE MOUNTED,METAL SINGLE LOCKING,PG29, HIGH CONSTRUCTION, METAL PROTECTION COVER, POWDER COATED, GREY H24B下壳,表面安装,彩锌单扣,PG29,高结构,带金属保护盖,灰色粉末喷涂	PG29	-	
T1660243132-100	H24B-SDRHM-LB-M32 H24B HOUSING,SURFACE MOUNTED,METAL SINGLE LOCKING,M32, HIGH CONSTRUCTION, METAL PROTECTION COVER, POWDER COATED, GREY H24B下壳,表面安装,彩锌单扣,M32,高结构,带金属保护盖,灰色粉末喷涂	M32	-	TYPE 7 类型 7
T1660243221-100	H24B-SDRHM-LB-2PG21 H24B HOUSING,SURFACE MOUNTED,METAL SINGLE LOCKING,2PG21, HIGH CONSTRUCTION, METAL PROTECTION COVER, POWDER COATED, GREY H24B下壳,表面安装,彩锌单扣,2PG21,高结构,带金属保护盖,灰色粉末喷涂	PG21	PG21	
T1660243229-100	H24B-SDRHM-LB-2PG29 H24B HOUSING,SURFACE MOUNTED,METAL SINGLE LOCKING,2PG29, HIGH CONSTRUCTION, METAL PROTECTION COVER, POWDER COATED, GREY H24B下壳,表面安装,彩锌单扣,2PG29,高结构,带金属保护盖,灰色粉末喷涂	PG29	PG29	
T1660243232-100	H24B-SDRHM-LB-2M32 H24B HOUSING,SURFACE MOUNTED,METAL SINGLE LOCKING,2M32, HIGH CONSTRUCTION, METAL PROTECTION COVER, POWDER COATED, GREY H24B下壳,表面安装,彩锌单扣,2M32,高结构,带金属保护盖,灰色粉末喷涂	M32	M32	
PART NUMBER 料号	DESCRIPTION 描述	IG1	IG2	TYPE 类型

THIS DRAWING IS A CONTROLLED DOCUMENT.		DWN DAVID LI 02 JUL 2015	STE TE Connectivity	
		CHK CHRIS WANG 02 JUL 2015		
DIMENSIONS: mm		APVD XU XIANG 02 JUL 2015	NAME H24B-SGR/SDR/SDRM/SGRH/SDRH/SDRHM-LB-PG/M	
TOLERANCES UNLESS OTHERWISE SPECIFIED:		PRODUCT SPEC 108-137013	RESTRICTED TO	
0 PLC ±-		APPLICATION SPEC 114-137013	SIZE A2	CAGE CODE -
1 PLC ±-		WEIGHT -	DRAWING NO ©-T16X0243XXXX00	
2 PLC ±-		Customer Drawing	SCALE 1:2	SHEET 4 OF 4
3 PLC ±-			REV B	
4 PLC ±-				
ANGLES ±-				
FINISH -				
MATERIAL -				

单击下面可查看定价，库存，交付和生命周期等信息

[>>TE Connectivity\(泰科\)](#)