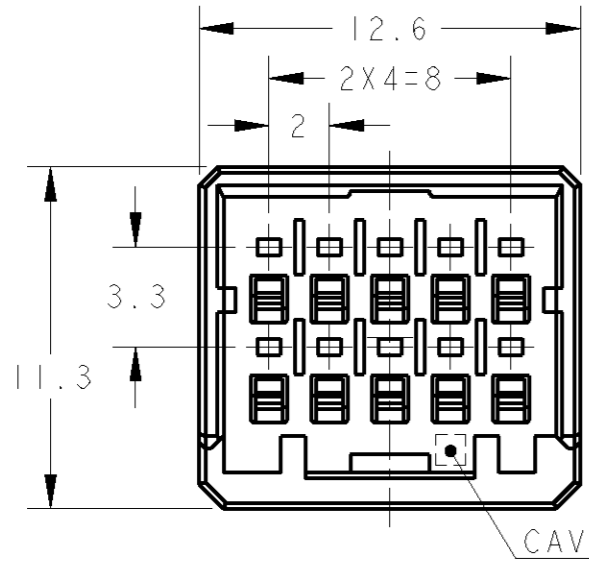
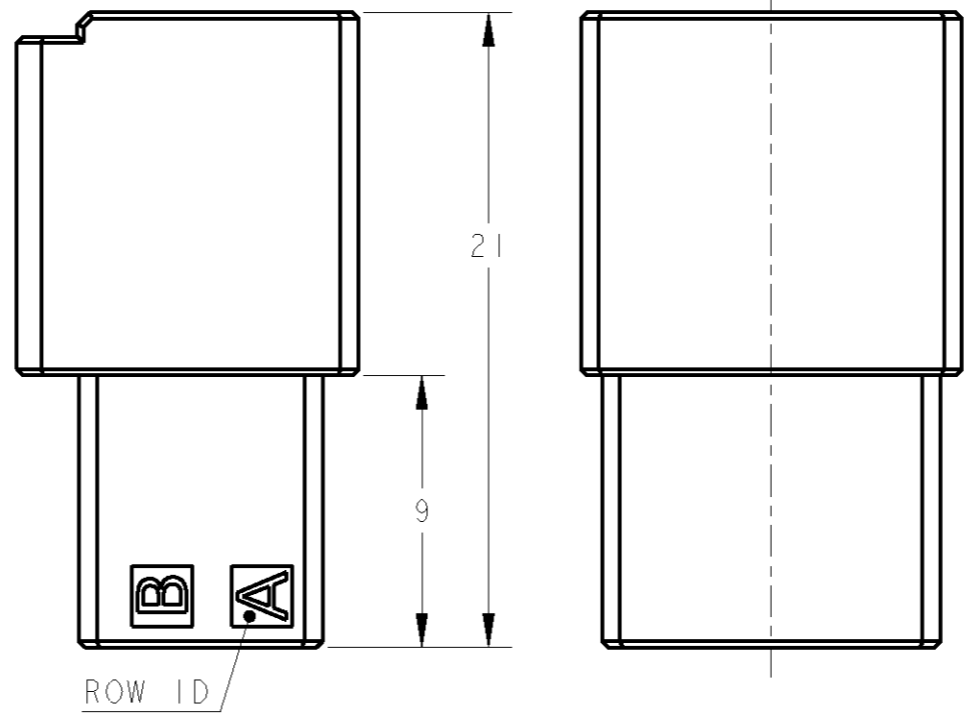
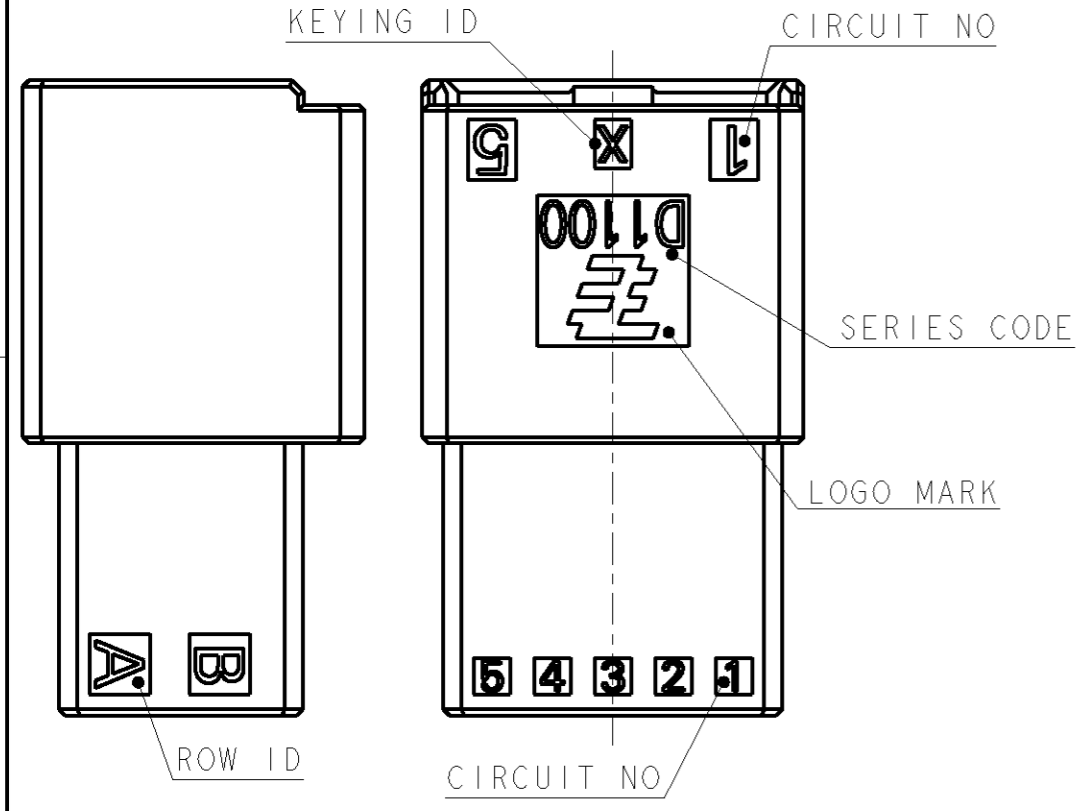


LOC	DIST	REVISIONS					
J	-	P	LTR	DESCRIPTION	DATE	DWN	APVD
			A	RELEASED	11SEP2009	M.M	T.K

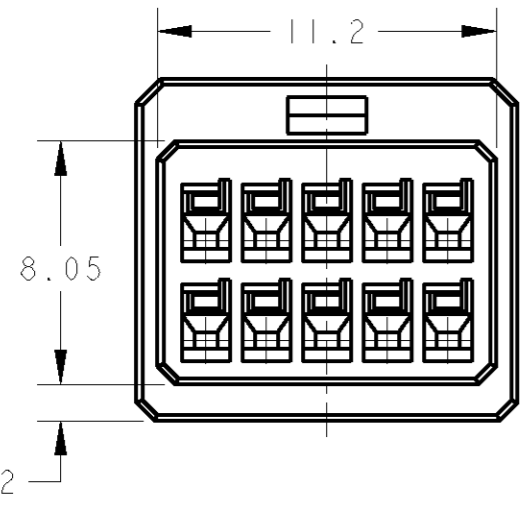


AS SHOWN AS : 1-2069682-5

- 1. 材料：ガラス入り熱可塑性ポリエステル樹脂（94V-0），色：黒
- 2. 文字の形状、大きさ、及び位置については、大略を示すものであり、詳細を示すものではありません。
- 3. 嵌合適用ハウジング型番：1-1827862-5
- 4. 適用タブコンタクト型番
 REEL, L/P, (DESCRIPTION)
 1903111-2, 1903115-2, (D-1 S Au0.38)
 1903112-2, 1903116-2, (D-1 M Au0.38)
 1903120-1, 1903124-1, (D-1 M PRE-Sn)



- 1. MATERIAL: GLASS FILED THERMO PLASTIC POLYESTER (94V-0), COLOR: BLACK
- 2. THE SHAPE, SIZE AND POSITION OF THE CHARACTER SHOW THE OUTLINE. THEY DON'T SHOW DETAILS.
- 3. MATING HOUSING PN: 1-1827862-5
- 4. APPLICABLE TAB CONTACT PN:
 REEL, L/P, (DESCRIPTION)
 1903111-2, 1903115-2, (D-1 S Au0.38)
 1903112-2, 1903116-2, (D-1 M Au0.38)
 1903120-1, 1903124-1, (D-1 M PRE-Sn)



THIS DRAWING IS A CONTROLLED DOCUMENT FOR TYCO ELECTRONICS CORPORATION. IT IS SUBJECT TO CHANGE AND THE CONTROLLING ENGINEERING ORGANIZATION SHOULD BE CONTACTED FOR THE LATEST REVISION.		DWN M. MAEBASHI 11SEP2009	Tyco Electronics Tyco Electronics Corporation Kawasaki, Japan	
DIMENSIONS: 単位: 概 mm		CHK N. YAMASAKI 14SEP2009	NAME DYNAMIC D1100D 2.0mmPITCH TAB HSG (FREE HANGING TYPE) 10POS	
TOLERANCES UNLESS OTHERWISE SPECIFIED: 一般公差 ±0.3, ±5° 0-PLC ± 1-PLC ± 2-PLC ± 3-PLC ± 4-PLC ± ANGLES ±		APVD T. KIMURA 14SEP2009	PRODUCT SPEC 108-78268, 78298	
MATERIAL 材料		APPLICATION SPEC 取付適用規格 114-5377	RESTRICTED TO	
FINISH 仕上		WEIGHT 1.74 g	SIZE A3	CAGE CODE 00779
CUSTOMER DRAWING		DRAWING NO C=2069682		SCALE 4

单击下面可查看定价，库存，交付和生命周期等信息

[>>TE Connectivity\(泰科\)](#)