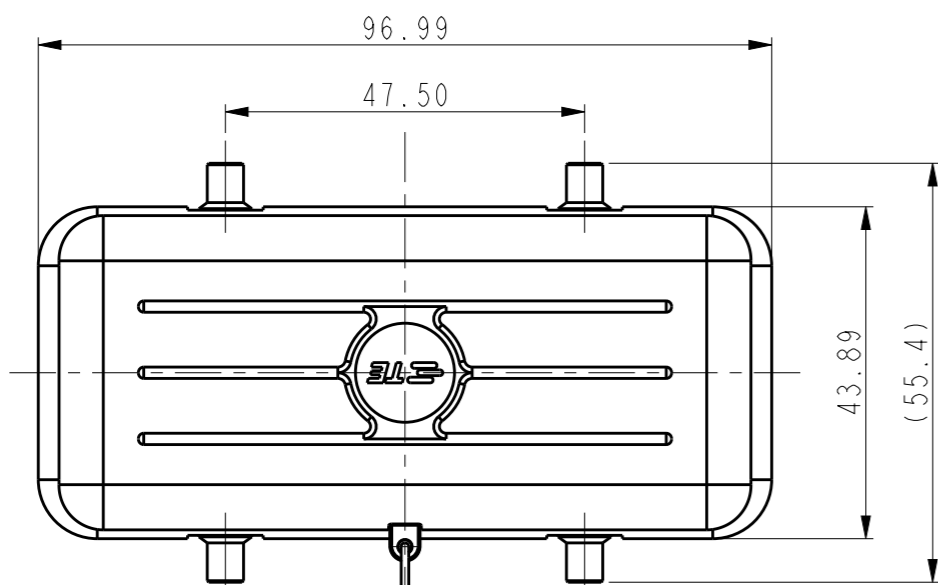


THIS DRAWING IS UNPUBLISHED. RELEASED FOR PUBLICATION 20

© COPYRIGHT 20 BY - ALL RIGHTS RESERVED.

REVISIONS

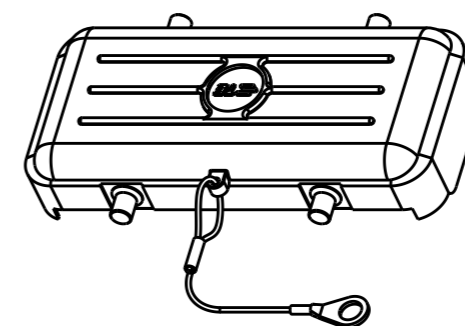
P	LTR	DESCRIPTION	DATE	DWN	APVD
	A	INITIAL	08JUN2015	DW	CW
	AI	ECR-17-014975	12OCT2017	CH	CW



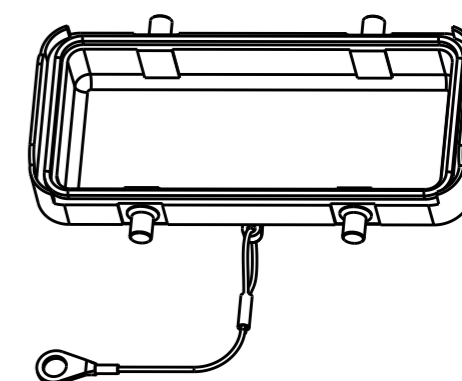
NOTES:
 1. TECHNICAL CHARACTERISTICS:
 COVER MATERIAL: PC, GREY

注释:
 1. 技术参数:
 保护盖材质: PC, 灰色

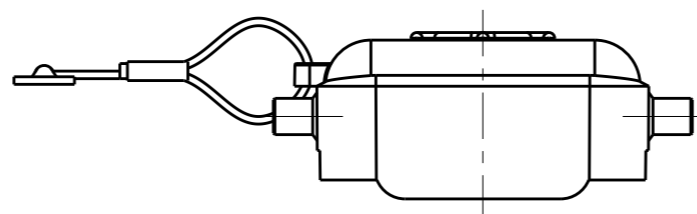
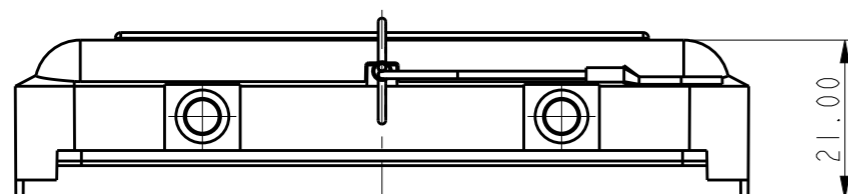
TRANSPARENT NYLON ROPE:
 TOTAL LENGTH 250mm,
 DIA. \varnothing 1.0mm
 透明尼龙绳: 总长250mm, 直径 \varnothing 1.0mm



SCALE 3:5




SCALE 3:5



T1010162100-000	HI6B-KDBP	HI6B HOUSING PLASTIC PROTECTION COVER, 4 EAR, WITHOUT SEALING, NYLON ROPE, GREY HI6B下壳塑料保护盖, 4耳, 不带密封, 尼龙绳, 灰色
-----------------	-----------	--

PART NUMBER
料号

PART DESCRIPTION
描述

THIS DRAWING IS A CONTROLLED DOCUMENT.		DWN 08JUN2015 DAVID.WANG	 TE Connectivity															
DIMENSIONS: mm		CHK 08JUN2015 CHRIS.WANG			NAME HI6B-KDBP													
TOLERANCES UNLESS OTHERWISE SPECIFIED:		APVD 08JUN2015 XIANG.XU																
<table border="1"> <tr><td>0 PLC</td><td>±-</td></tr> <tr><td>1 PLC</td><td>±-</td></tr> <tr><td>2 PLC</td><td>±-</td></tr> <tr><td>3 PLC</td><td>±-</td></tr> <tr><td>4 PLC</td><td>±-</td></tr> <tr><td>ANGLES</td><td>- ±</td></tr> </table>		0 PLC	±-	1 PLC	±-	2 PLC	±-	3 PLC	±-	4 PLC	±-	ANGLES	- ±	PRODUCT SPEC -	SIZE A3	CAGE CODE -	DRAWING NO C-T1010162100000	RESTRICTED TO -
0 PLC	±-																	
1 PLC	±-																	
2 PLC	±-																	
3 PLC	±-																	
4 PLC	±-																	
ANGLES	- ±																	
MATERIAL -		FINISH -	WEIGHT -	Customer Drawing		SCALE 1:1	SHEET 1	OF 1	REV AI									

单击下面可查看定价，库存，交付和生命周期等信息

[>>TE Connectivity\(泰科\)](#)