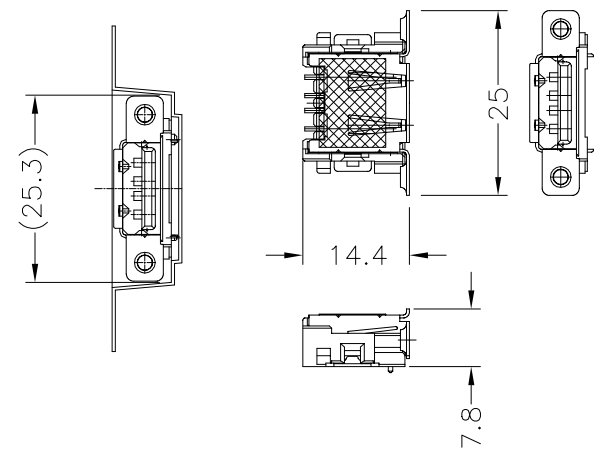
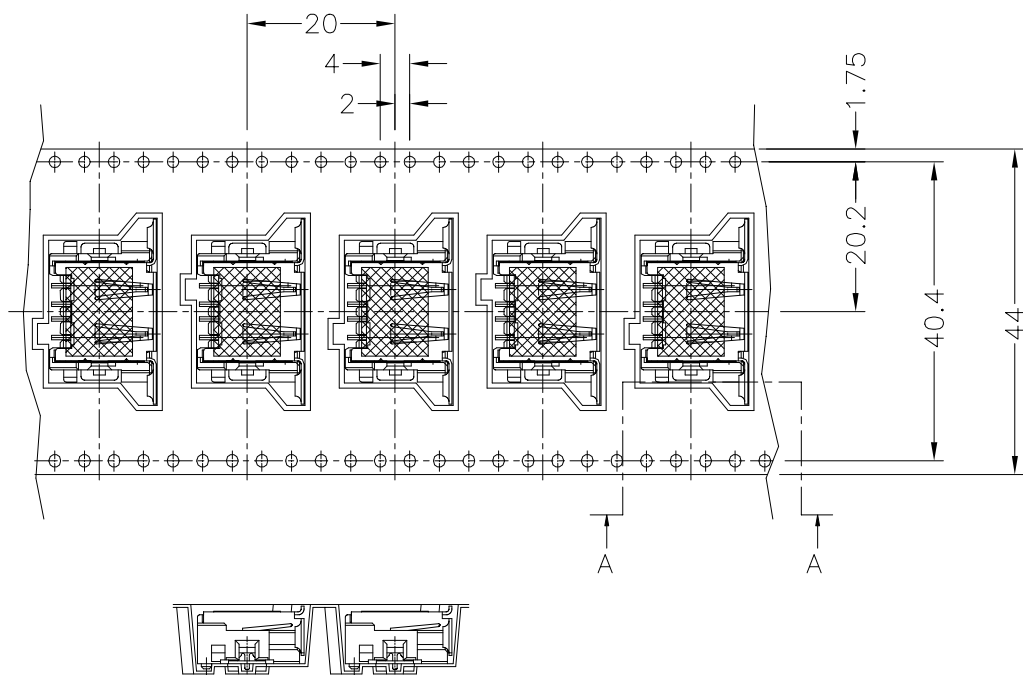
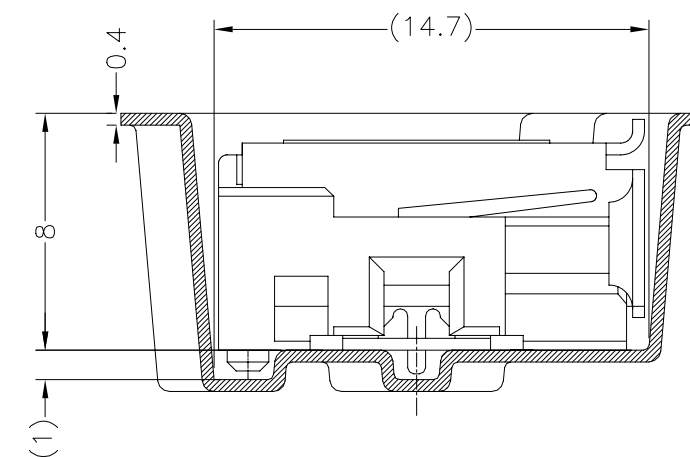


P	LTR	DESCRIPTION	DATE	DWN	APVD
P1		ECR-21-101984	21APR2021	RR	SZ

DIRECTION OFF TOP OF REEL →

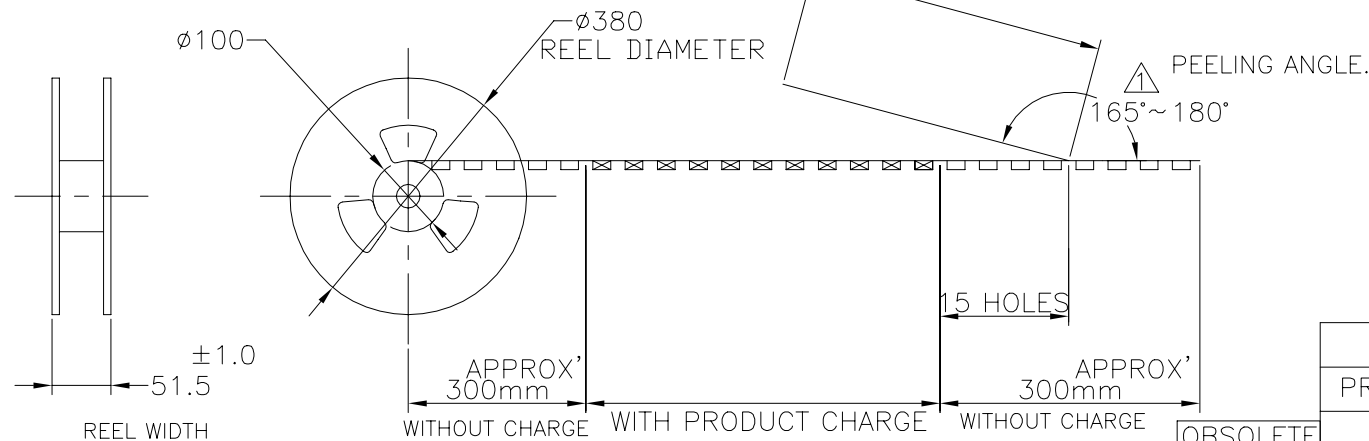


CONNECTOR DETAIL



SECT B-B (4:1)

FLANGE CORE DIAMETER



OBSOLETE

5353929-1, 2

Notes

- 1. PRELIMINARY PRODUCT DOES NOT BE PROMISED MANUFACTURE POSITIVELY.
- 2. OBSOLETE PARTS: OBSOLETE CIS STREAMLINING PER D.RENAUD/D.SINISI

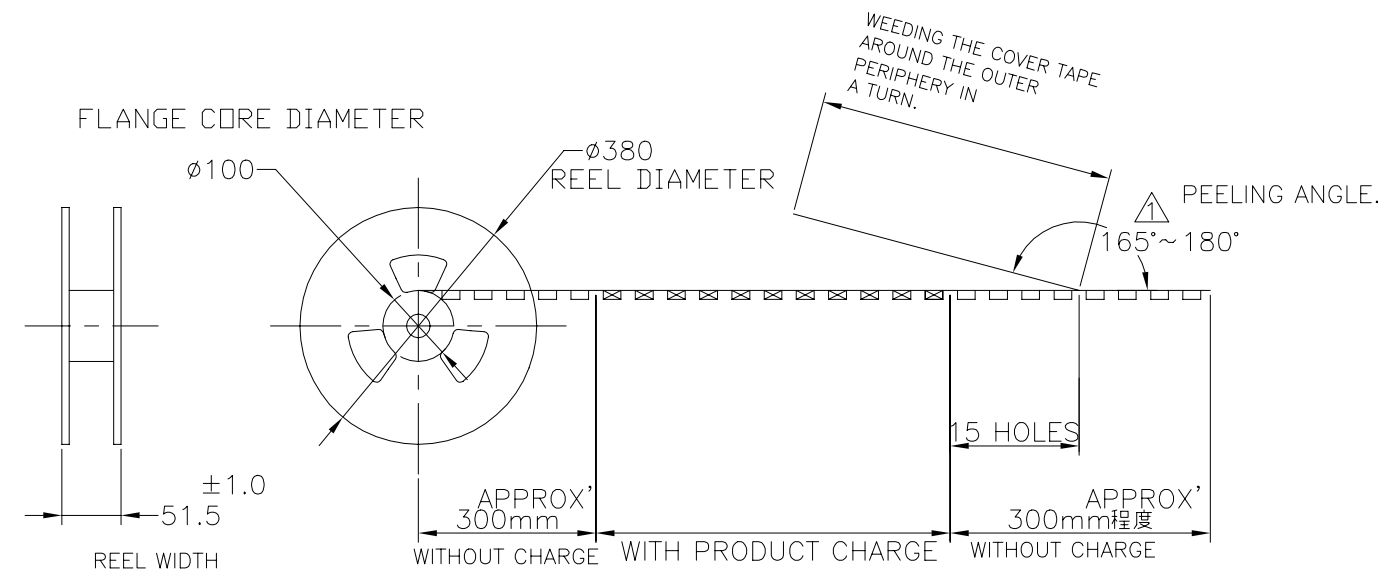
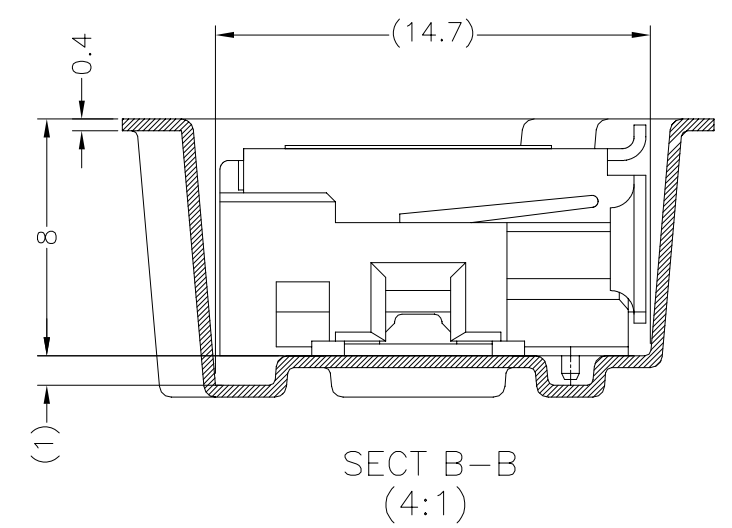
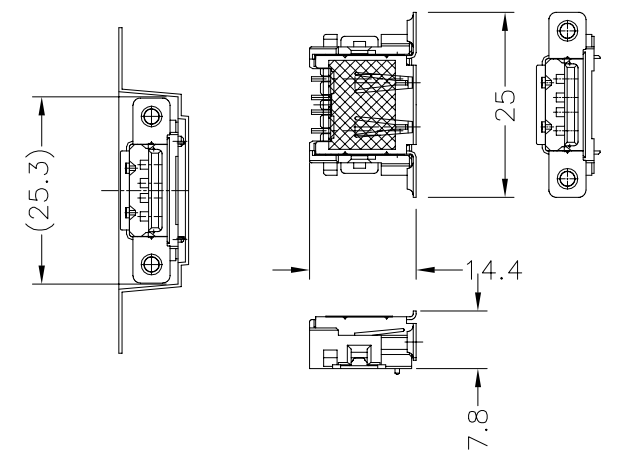
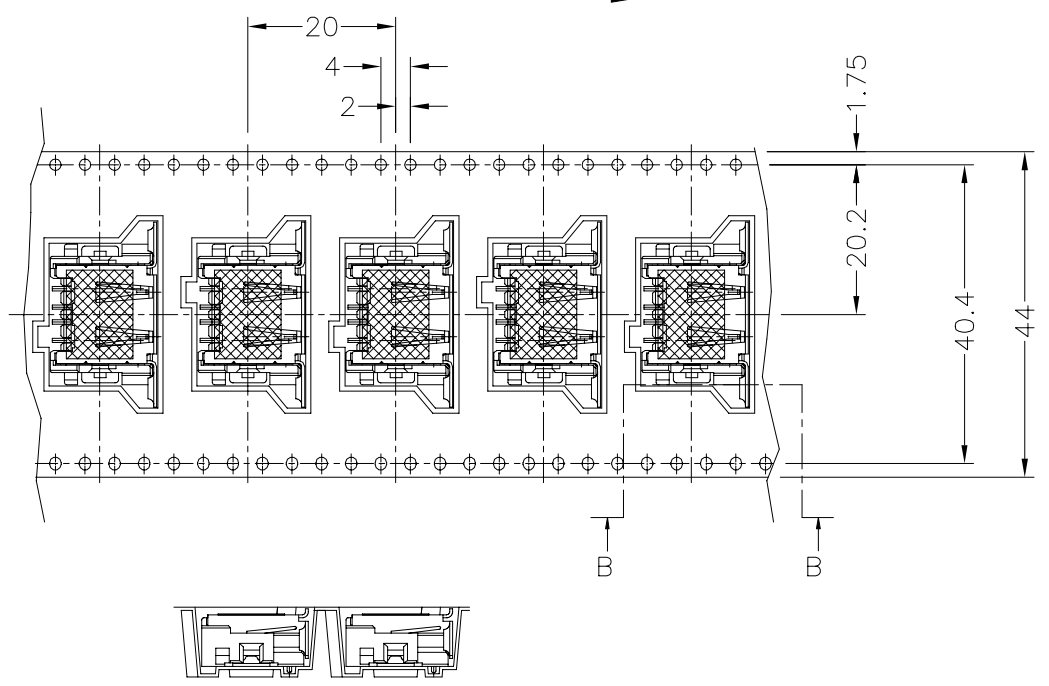
PRODUCING	BLACK	350	4	1-6674429-2	5353929-6
PRELIMINARY NOT FOR PRODUCTION	WHITE	350	4	1-6674429-1	<del>5353929-5</del>
PRODUCING	BLACK	350	4	1-5353583-4	<del>5353929-4</del>
PRELIMINARY NOT FOR PRODUCTION	WHITE	350	4	1-5353583-3	<del>5353929-3</del>
PRELIMINARY NOT FOR PRODUCTION	BLACK	350	4	1-5353583-2	<del>5353929-2</del>
PRODUCING	WHITE	350	4	1-5353583-1	5353929-1
TOOLING STATUS	HOUSING COLOR	QTY	POS	CONN. P/N	PART NO.

THIS DRAWING IS A CONTROLLED DOCUMENT.		DWN J.JIANG 23MAR04	TE Connectivity Ltd.  NAME EMOSS ASSY STD TYPE USB CONN. REC. WITH COVER TYPE			
DIMENSIONS: MM		CHK S.YAO 23MAR04				
TOLERANCES UNLESS OTHERWISE SPECIFIED:		APVD T.SASAKI 23MAR04				
0 PLC ± 0.3 1 PLC ± 2 PLC ± 3 PLC ± 4 PLC ± ANGLES ± 5°		PRODUCT SPEC 108-5563				
MATERIAL	FINISH	APPLICATION SPEC	SIZE A3	CAGE CODE 00779	DRAWING NO 5353929	RESTRICTED TO
CUSTOMER DRAWING			SCALE 1:1	SHEET 1 of 3	REV P1	

© - TE Connectivity. All Rights Reserved.

REVISIONS					
P	LTR	DESCRIPTION	DATE	DWN	APVD
-	-	SEE SHEET 1	-	-	-

DIRECTION OFF TOP OF REEL →



5353929-3,4

THIS DRAWING IS A CONTROLLED DOCUMENT.		DWN	TE Connectivity Ltd.					
DIMENSIONS: MM		CHK				NAME		
TOLERANCES UNLESS OTHERWISE SPECIFIED: 0 PLC ± 0.3 1 PLC ± 2 PLC ± 3 PLC ± 4 PLC ± ANGLES ± 5°		APVD				EMBOSS ASSY		
MATERIAL		PRODUCT SPEC				STD TYPE USB CONN. REC. WITH COVER TYPE		
FINISH		APPLICATION SPEC	SIZE	CAGE CODE	DRAWING NO	RESTRICTED TO		
		WEIGHT	A3	00779	C=5353929	-		
CUSTOMER DRAWING			SCALE	SHEET	REV			
			1:1	2 of 3	P1			

4

3

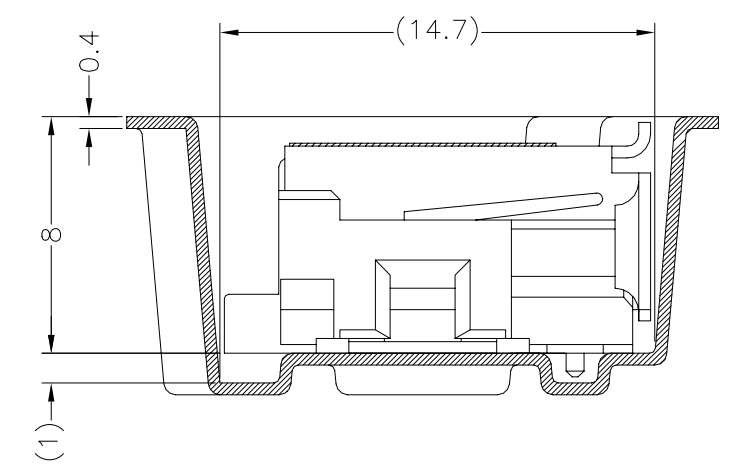
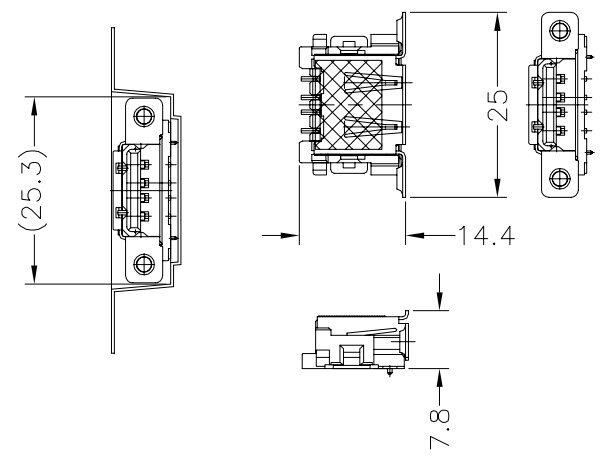
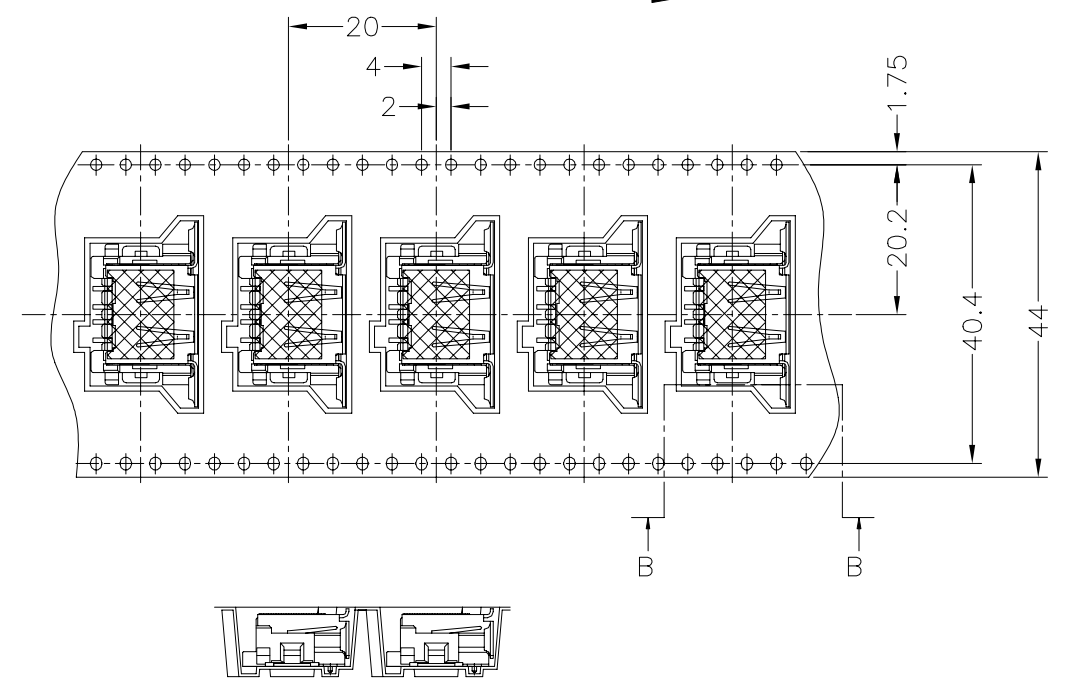
2

1

© - TE Connectivity. All Rights Reserved.

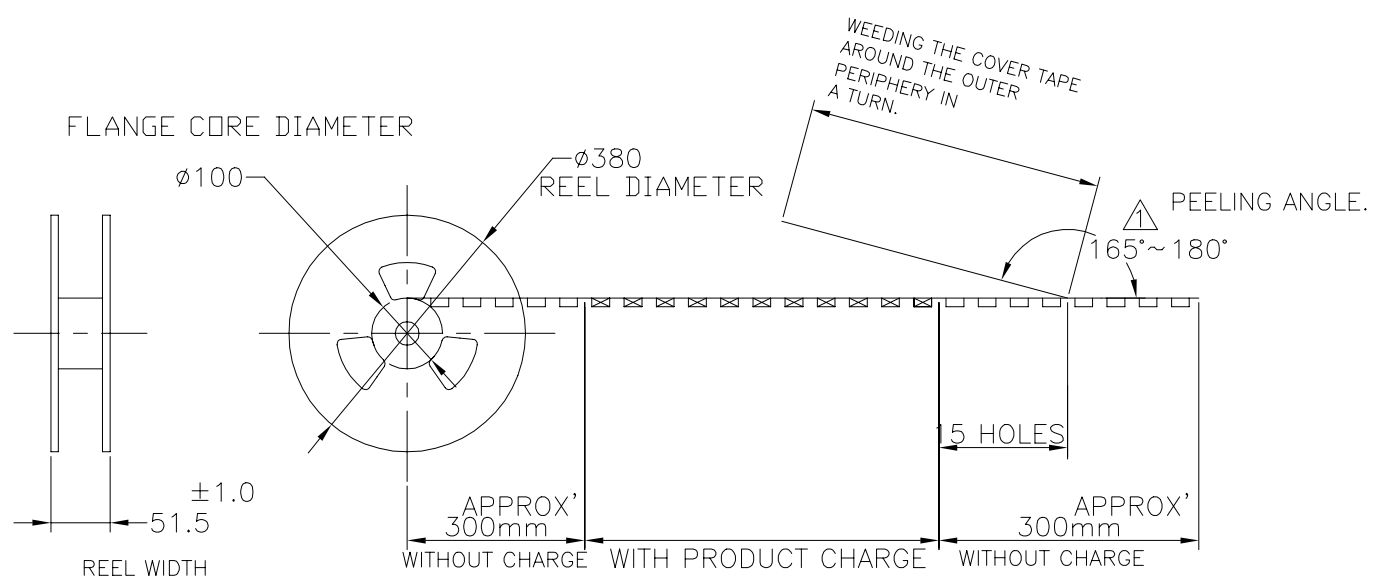
REVISIONS					
P	LTR	DESCRIPTION	DATE	DWN	APVD
-	-	SEE SHEET 1	-	-	-

DIRECTION OFF TOP OF REEL



CONNECTOR DETAIL

SECT B-B (4:1)



5353929-~~5~~,6

THIS DRAWING IS A CONTROLLED DOCUMENT.		DWN	TE Connectivity Ltd.			
DIMENSIONS: MM		CHK				
TOLERANCES UNLESS OTHERWISE SPECIFIED:		APVD				
0 PLC ± 0.3 1 PLC ± 2 PLC ± 3 PLC ± 4 PLC ± ANGLES ± 5° MATERIAL FINISH		NAME				
MATERIAL		PRODUCT SPEC	EMBOSS ASSY STD TYPE USB CONN. REC. WITH COVER TYPE			
		APPLICATION SPEC	SIZE	CAGE CODE	DRAWING NO	RESTRICTED TO
		WEIGHT	A3	00779	5353929	-
		CUSTOMER DRAWING	SCALE	SHEET	REV	
			1:1	3 of 3	P1	

单击下面可查看定价，库存，交付和生命周期等信息

[>>TE Connectivity\(泰科\)](#)