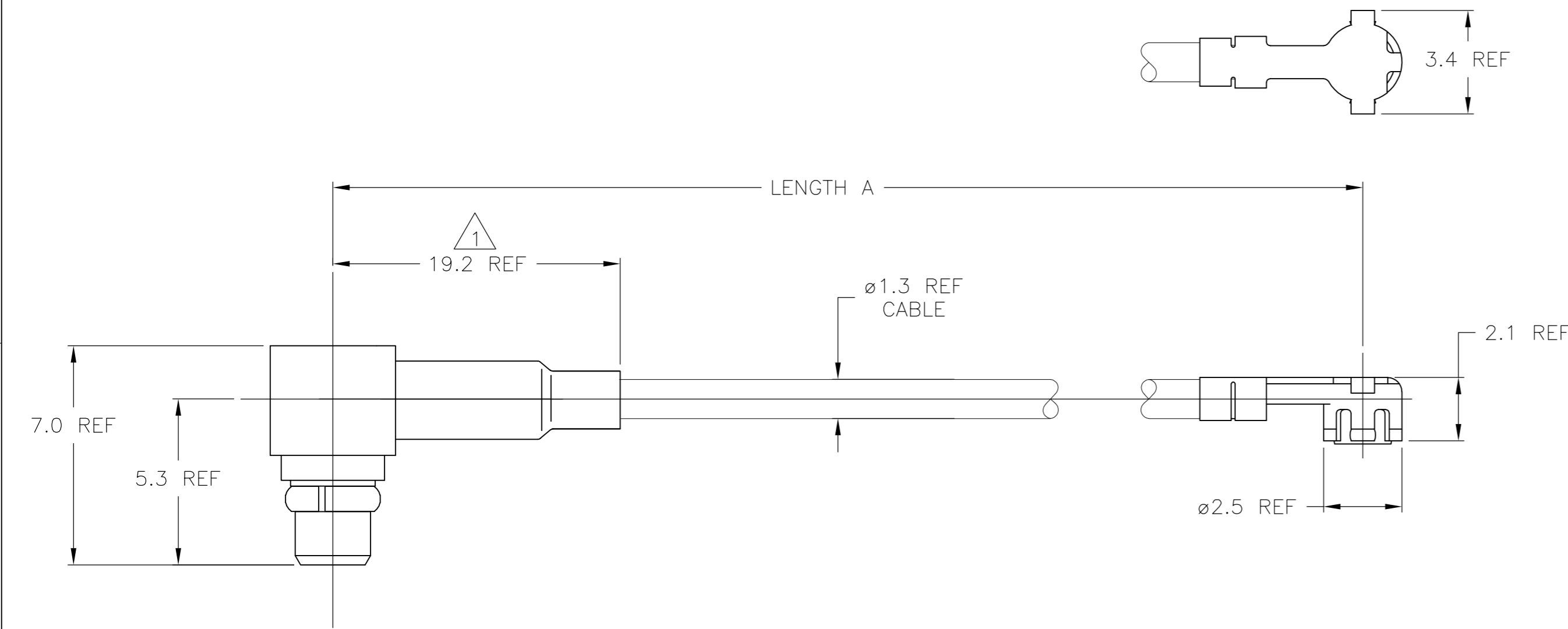


THIS DRAWING IS UNPUBLISHED. RELEASED FOR PUBLICATION
 © COPYRIGHT BY TYCO ELECTRONICS CORPORATION. ALL RIGHTS RESERVED.

LOC	DIST	REVISIONS			
P	LTR	DESCRIPTION	DATE	DWN	APVD
AJ	00				
	B	REVISED PER EC 0514-0098-05	04MAY2006	KS	KW
	B1	REVISED PER ECO-09-024927	07NOV09	KK	AEG



- 1. THIS DIMENSION REPRESENTS THE LENGTH FROM THE CONNECTOR CENTERLINE TO THE CABLE EXIT POINT (NOT SHRINK TUBE)
- 2. ELECTRICAL PERFORMANCE SHOWN FOR SSMT CONNECTOR AND CABLE ONLY. FOR MMCX CONNECTOR REFER TO DESIGN OBJECTIVES 108-2084. FOR CABLE ASSEMBLY DATA CONSULT FACTORY.
- 3. ASSEMBLE MMCX CONNECTOR TO CABLE PER INSTRUCTION SHEET 408-8627
- 4. OBSOLETE PARTS: OBSOLETE CIS STREAMLINING PER D.RENAUD/D.SINISI

4 OBSOLETE	300±5	1408483-3
	200±5	1408483-2
	100±3	1408483-1
	LENGTH A	PART NUMBER

COMPONENT	MATERIAL	FINISH
MMCX CONNECTOR		
HOUSING	BRASS	GOLD PLATE
CENTER CONTACT	BERYLLIUM COPPER	GOLD PLATE
DIELECTRIC	POLYTETRAFLUOROETHYLENE (PTFE)	N/A
RETAINING RING	BERYLLIUM COPPER	GOLD PLATE
FERRULE	COPPER OR BRASS	GOLD PLATE
SHRINK TUBING	HEAT SHRINKING POLYOLEFIN COMPOUND	N/A
SSMT CONNECTOR		
OUTER CONTACT	BERYLLIUM COPPER	GOLD PLATE OVER NICKEL PLATE
CENTER CONTACT	BERYLLIUM COPPER	GOLD PLATE OVER NICKEL PLATE
DIELECTRIC	POLYPROPYLENE, GF	N/A
CABLE		
JACKET	FLUORINATED ETHYLENE PROPYLENE (FEP)	N/A
SHIELD	COPPER WIRE, 44 AWG	SILVER PLATE
DIELECTRIC	PERFLUOROALKOXY (PFA)	N/A
CENTER CONDUCTOR	COPPER CLAD STEEL, 30 AWG	SILVER PLATE
INSULATING DISK	POLYESTER	N/A

ELECTRICAL	MECHANICAL	ENVIRONMENTAL
FREQUENCY NOMINAL IMPEDENCE VOLTAGE RATING VSWR (MATED CONNECTORS ONLY) INSULATION RESISTANCE DIELECTRIC WITHSTANDING VOLTAGE	CONNECTOR DURABILITY	TEMPERATURE RATING
DC - 6 GHz 50 OHMS 250 VOLTS (VRMS MAX) @ SEA LEVEL 1.20:1 MAX @ 2 GHz 1.40:1 MAX @ 6 GHz 1,000 MEGOHMS MIN @ 250VDC 500 VOLTS (VRMS MIN) @ SEA LEVEL	100 MATING CYCLES	-40°C(-40°F) TO +125°C(257°F)

PRODUCT SPEC

THIS DRAWING IS A CONTROLLED DOCUMENT.		DWN DK SCHRUM 04MAY2006	Tyco Electronics Corporation Harrisburg, PA 17105-3608	
DIMENSIONS: mm		CHK KE WEIDNER 04MAY2006	NAME SSMT RIGHT ANGLE JACK TO MMCX STRAIGHT PLUG INTERSERIES CABLE ASSEMBLY	
TOLERANCES UNLESS OTHERWISE SPECIFIED:		APVD KE WEIDNER 04MAY2006	SIZE A2 CAGE CODE 00779 DRAWING NO C=1408483	
0 PLC ± -		PRODUCT SPEC	RESTRICTED TO	
1 PLC ± -		APPLICATION SPEC	SCALE NTS SHEET 1 OF 1 REV B1	
2 PLC ± -		WEIGHT -		
3 PLC ± 0.13		CUSTOMER DRAWING		
4 PLC ± -				
ANGLES ± 1°				

单击下面可查看定价，库存，交付和生命周期等信息

[>>TE Connectivity\(泰科\)](#)