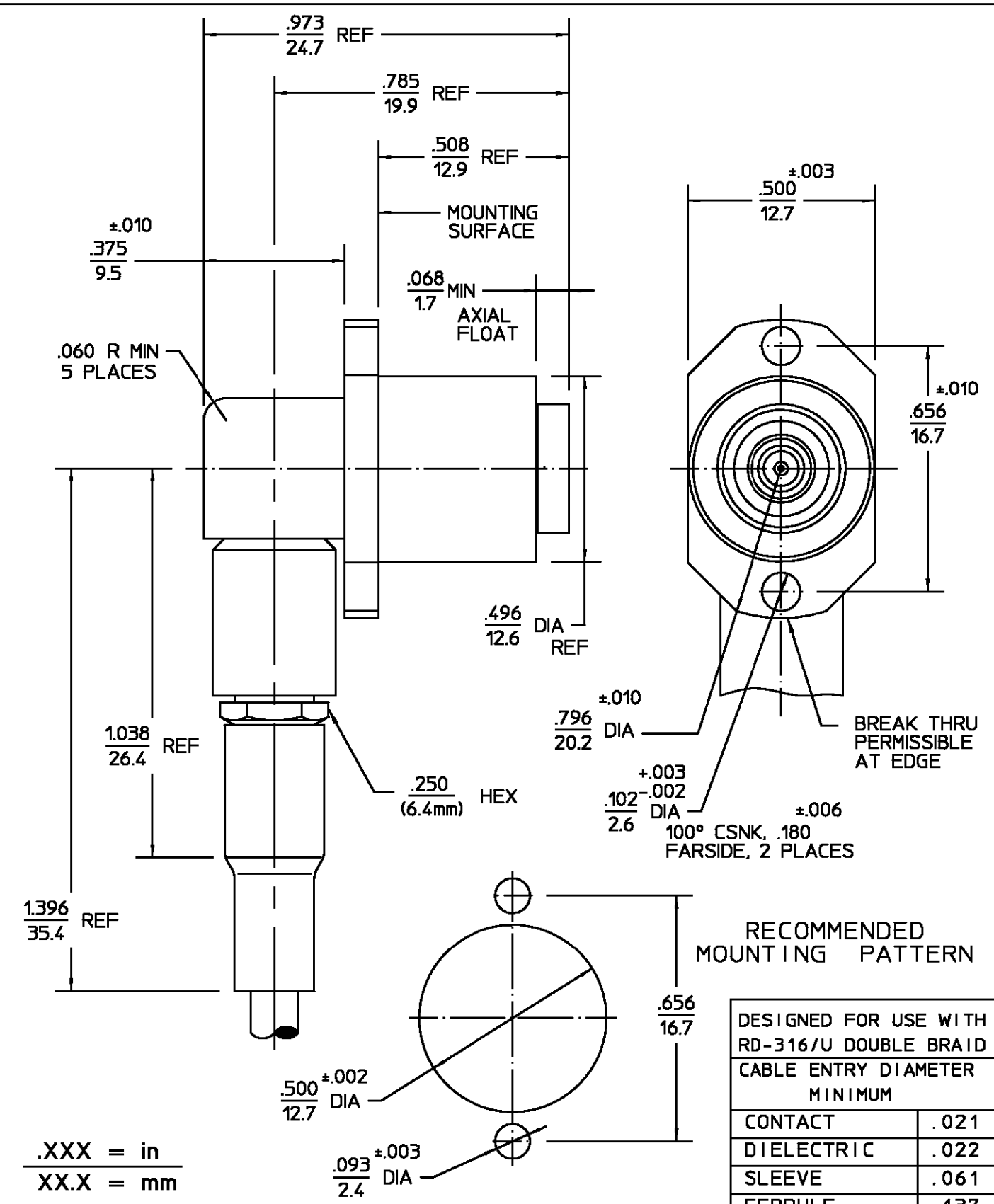


REVISIONS			
REV	DESCRIPTION	DATE	APPROVED
02 ₀	REVISED	4-11-85	<i>AD</i>



NOTES:
 1. CAPTURED CENTER CONTACT
 2. .015 MINIMUM RADIAL FLOAT.

COMPONENT	MATERIAL	FINISH
HOUSING WASHER SLEEVE CLAMP NUT	STAINLESS STEEL PER ASTM-A484 AND ASTM- A582, TYPE 303	PASSIVATE PER ASTM-A380
DIELECTRIC	TFE FLUOROCARBON PER ASTM-D-1457	N/A
CENTER CONTACT CONTACT FINGERS	BERYLLIUM COPPER PER ASTM B 196, ALLOY C17300, CONDITION H	GOLD PLATE PER MIL-G-45204
SPRING	STAINLESS STEEL	PASSIVATE PER ASTM-A380
RETAINING RING	CARBON SPRING TEMPER	NICKEL PLATE PER QQ-N-290
GASKET	SILICONE RUBBER PER ZZ-R-765	N/A
SHRINK TUBING	HEAT SHRINKABLE POLYOLEFIN COMPOUND MIL-I-23053/4	N/A
FERRULE	COPPER OR BRASS ALLOY ROCKWELL F65 MAXIMUM	GOLD PLATE PER MIL-G-45204

RECOMMENDED MOUNTING PATTERN

DESIGNED FOR USE WITH RD-316/U DOUBLE BRAID CABLE ENTRY DIAMETER MINIMUM	
CONTACT	.021
DIELECTRIC	.022
SLEEVE	.061
FERRULE	.137

UNLESS OTHERWISE SPECIFIED
 DIMENSIONS ARE IN INCHES
 TOLERANCE ON
 FRAC DEC ANGLES
 * 1/64 * .005 * 1°

These drawings and specifications are the property of Omni Spectra Incorporated and shall not be reproduced or copied or used in whole or in part as the basis for the manufacture or sale of item(s) without written permission.

DRAWN BY *AD* DATE 1/22/93
 CHECKED BY
 APP'D BY *Comello* 2/14/93

AMP Incorporated
 140 Fourth Avenue
 Waltham, MA 02451-7599

USE ASSY PROCEDURE
 408-04749
 NO. A.P. (90-047)

TITLE RIGHT ANGLE FLOAT MOUNT CABLE PLUG CRIMP ATTACHMENT			
SIZE B	CODE IDENT NO. 26805	9041-5002-02	REV 02 ₀
SCALE 3 : 1		SHEET 1 OF 1	

.XXX = in
 XX.X = mm

单击下面可查看定价，库存，交付和生命周期等信息

[>>TE Connectivity\(泰科\)](#)