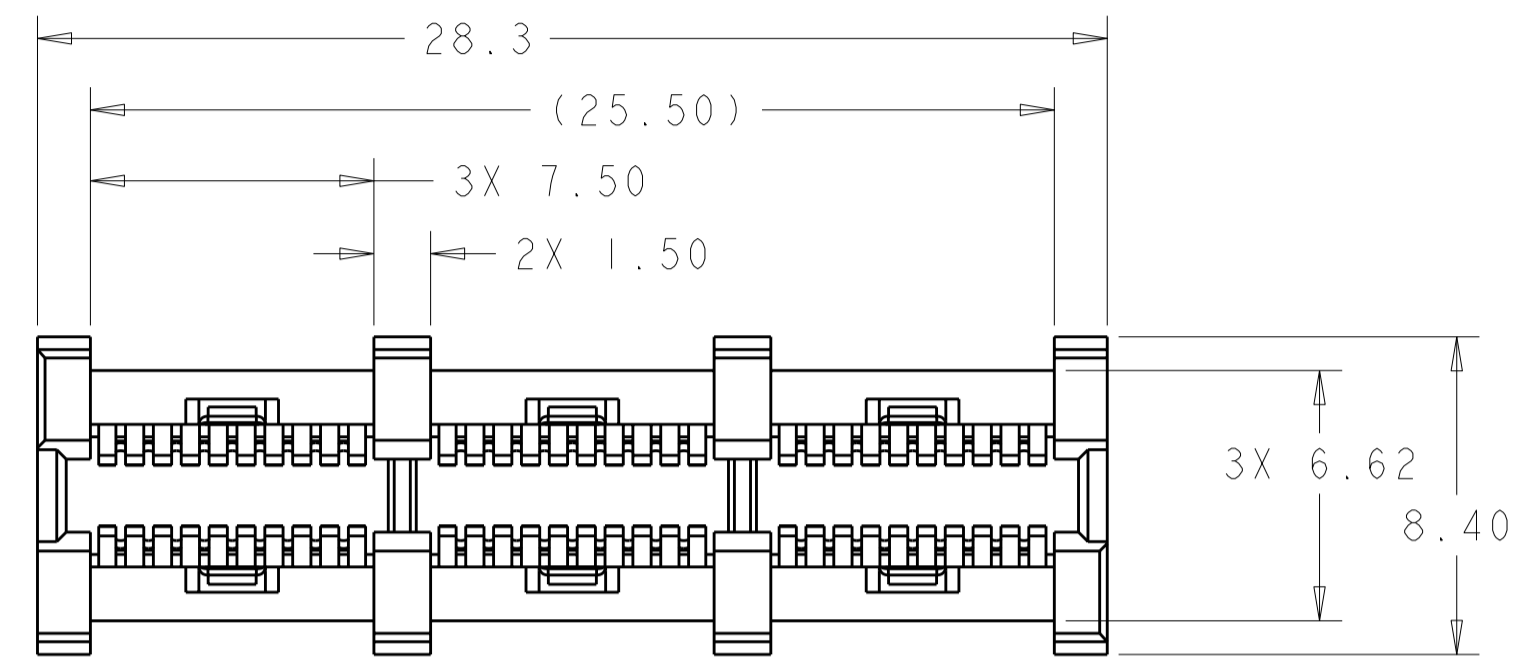


THIS DRAWING IS UNPUBLISHED. RELEASED FOR PUBLICATION 20
 © COPYRIGHT 20 BY TYCO ELECTRONICS CORPORATION. ALL RIGHTS RESERVED.

LOC	DIST	REVISIONS			
P	LTR	DESCRIPTION	DATE	DWN	APVD
GP	00				
	C	REV PER ECO-08-032073	12JAN2009	RG	PD
	CI	REVISED PER ECO-09-025699	11DEC09	KK	AEG



1. PART NUMBER CHANGES AND OR DESIGN CHANGES AFFECTING ITEM INTERCHANGEABILITY REQUIRE PRIOR TYCO ELECTRONICS APPROVAL AND AUTHORIZATION BY REVISION TO THIS DRAWING

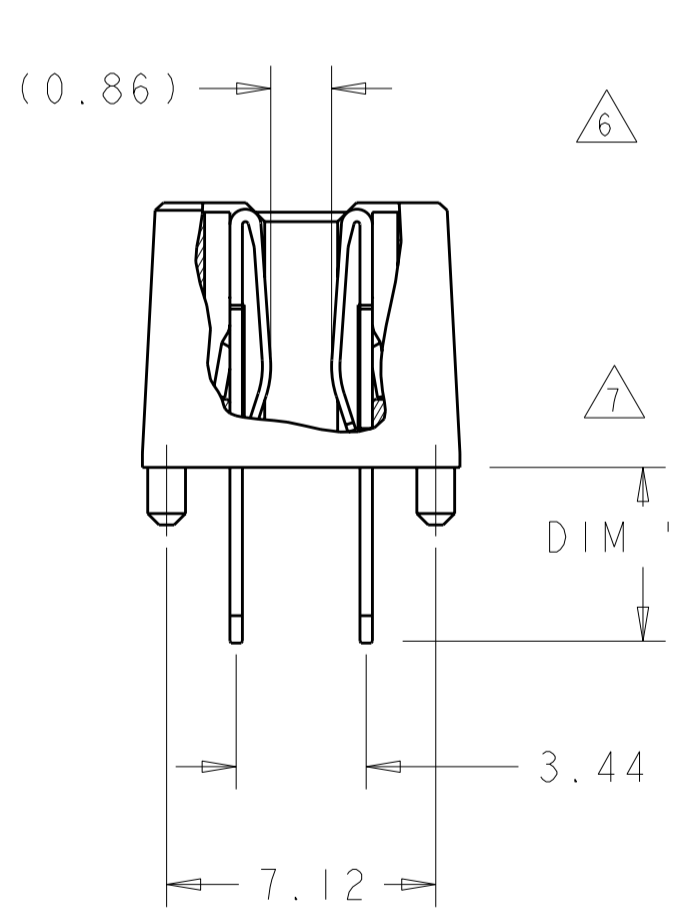
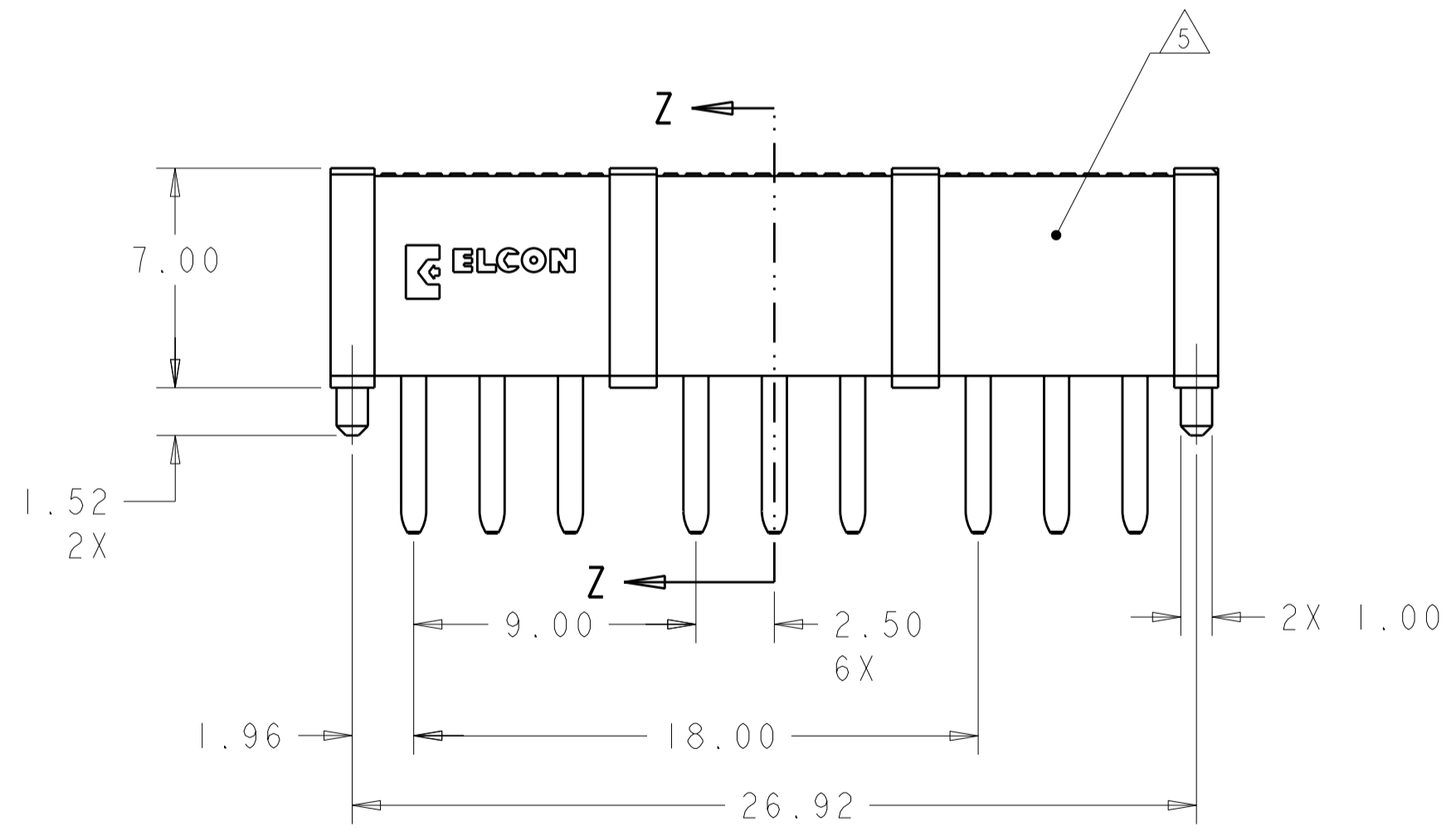
2 MATERIAL:
 INSULATOR - THERMOPLASTIC, GLASS REINFORCED, COLOR: BLACK
 UL94V-0 FLAMMABILITY RATED
 CONTACTS - COPPER ALLOY

3 FINISH:
 CONTACT: GOLD PLATE 0.76µm MIN. THK. OVER NICKEL 1.27µm MIN THK.
 SOLDER TAIL: TIN PLATE 3.05µm MIN THK. OVER NICKEL 1.27µm MIN THK.
 COMPLIANT TAIL: TIN PLATED 1.02µm MIN THK. OVER NICKEL 1.27µm MIN THK.

4. ALL DIMENSIONS SHOWN ACROSS CENTERLINE SHALL BE CENTRALIZED WITHIN THE TOLERANCE INDICATED FOR THAT DIMENSION.

5 ITEMS PROVIDED TO THIS SPECIFICATION TO BE PERMANENTLY IDENTIFIED PER THE FOLLOWING IDENTIFIER:

TYCO ELECTRONICS P/N DATE CODE (e.g. 0625)
 XXXXXXXX-X XXXX



6 RECOMMENDED PRINTED CIRCUIT HOLE:
 FINISHED HOLE: $\phi 1.02 \pm 0.08$
 DRILLED HOLE: $\phi 1.15 \pm 0.13$
 COPPER PLATE: 0.025 MIN (PER SURFACE)
 TIN PLATE: 0.008 MIN. (PER SURFACE)

7 OBSOLETE PARTS: OBSOLETE CIS STREAMLINING PER D.RENAUD/D.SINISI

3.8	1766685-3	OBSOLETE 7
3.0	1766685-2	
4.5	1766685-1	
DIM "A"	PART NUMBER	

OBSOLETE 7	COMPLIANT TAIL	1766685-3
	SHORT SOLDER TAIL	1766685-2
	STD. SOLDER TAIL	1766685-1
	DESCRIPTION	PART NUMBER

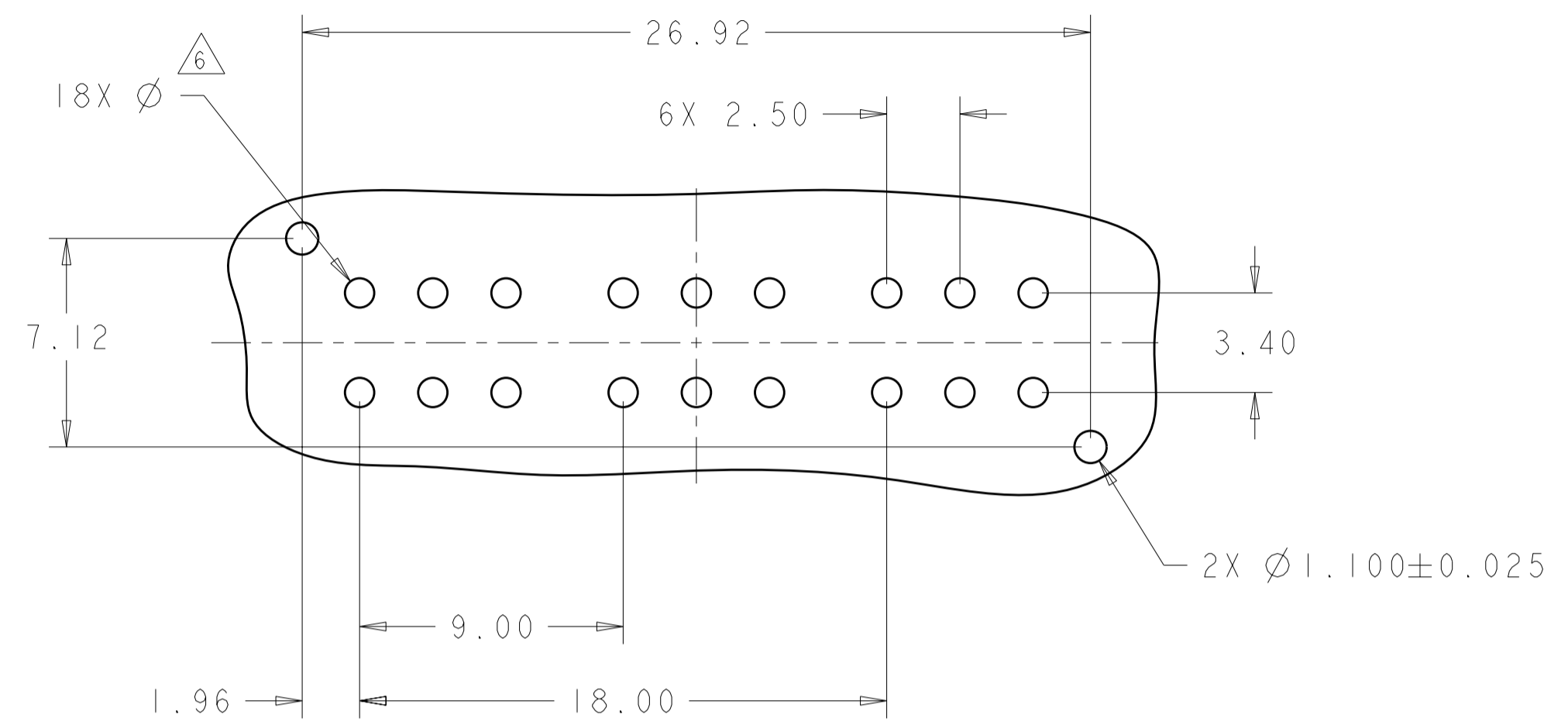
1766685-1 SHOWN
 STANDARD SOLDER TAIL

THIS DRAWING IS A CONTROLLED DOCUMENT FOR TYCO ELECTRONICS CORPORATION IT IS SUBJECT TO CHANGE AND THE CONTROLLING ENGINEERING ORGANIZATION SHOULD BE CONTACTED FOR THE LATEST REVISION.		DWN 12JAN2009 WAN/GRZYBOWSKI	Tyco Electronics Corporation Harrisburg, PA 17105-3608	
DIMENSIONS: mm		CHK P. DAMATO	NAME SOCKET CONNECTOR ASSEMBLY SOLDER AND COMPLIANT TAIL MC-P3SO MINI CROWN EDGE	
TOLERANCES UNLESS OTHERWISE SPECIFIED: 0 PLC ±- 1 PLC ±.5 2 PLC ±.25 3 PLC ±. 4 PLC ±- ANGLES ±2 FINISH		APVD 12JAN2009 CHAU/PERCHERRE	PRODUCT SPEC -	RESTRICTED TO -
MATERIAL 2 - 3 -		APPLICATION SPEC -	WEIGHT -	SCALE 5:1
CUSTOMER DRAWING		SIZE A2	CAGE CODE 00779	DRAWING NO. 1766685
		SHEET 1 OF 2		REV C1

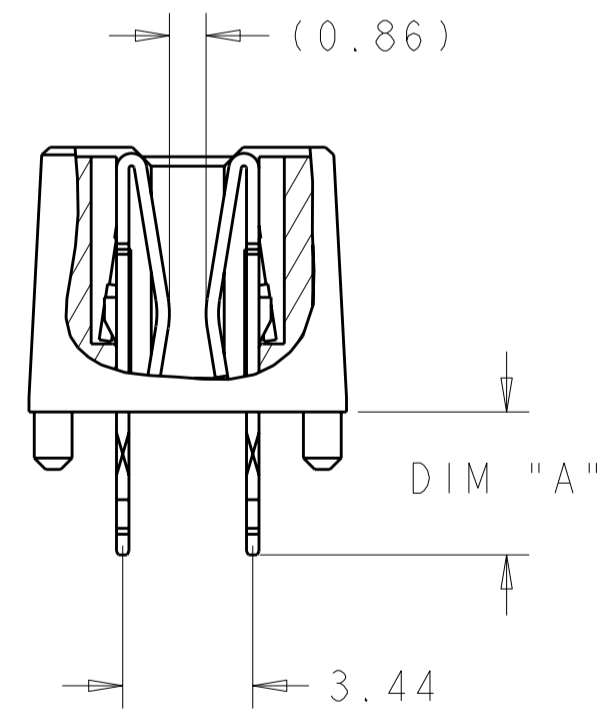
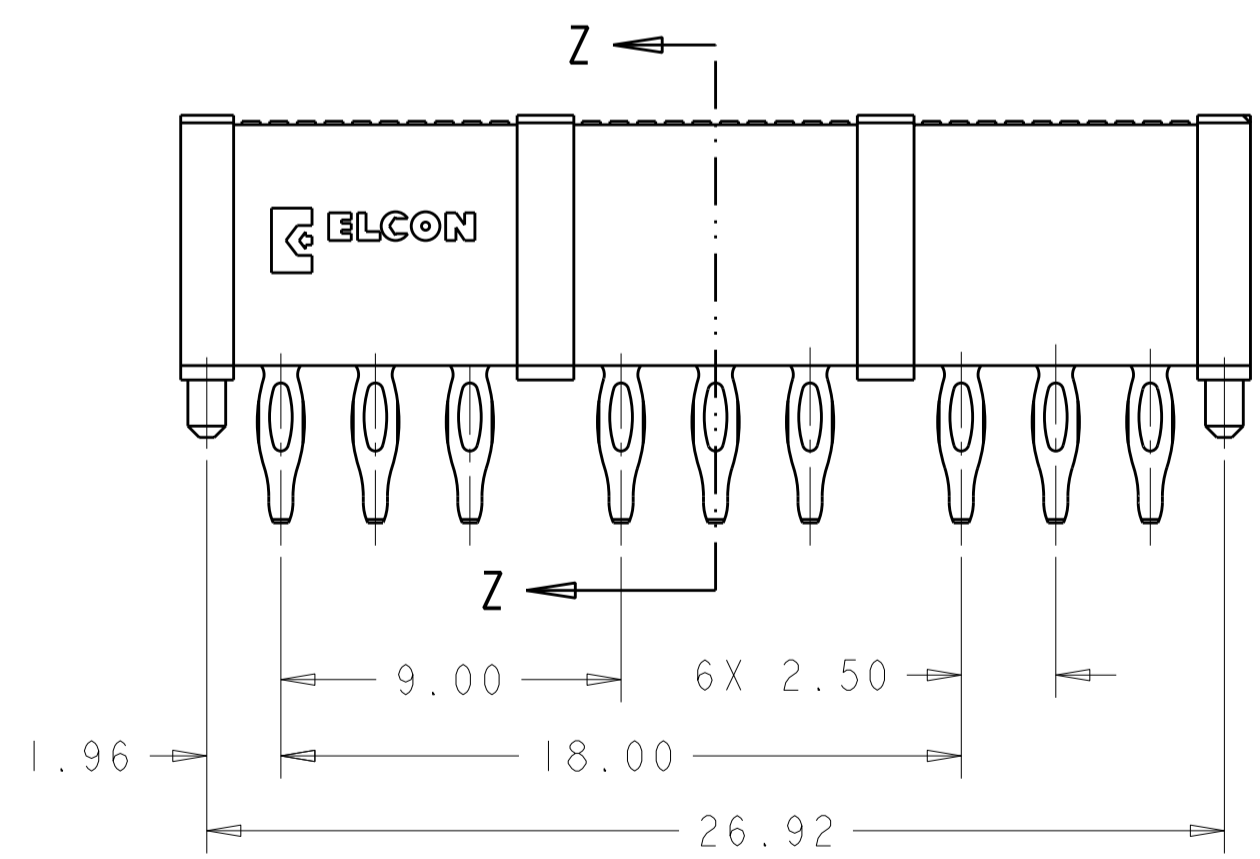
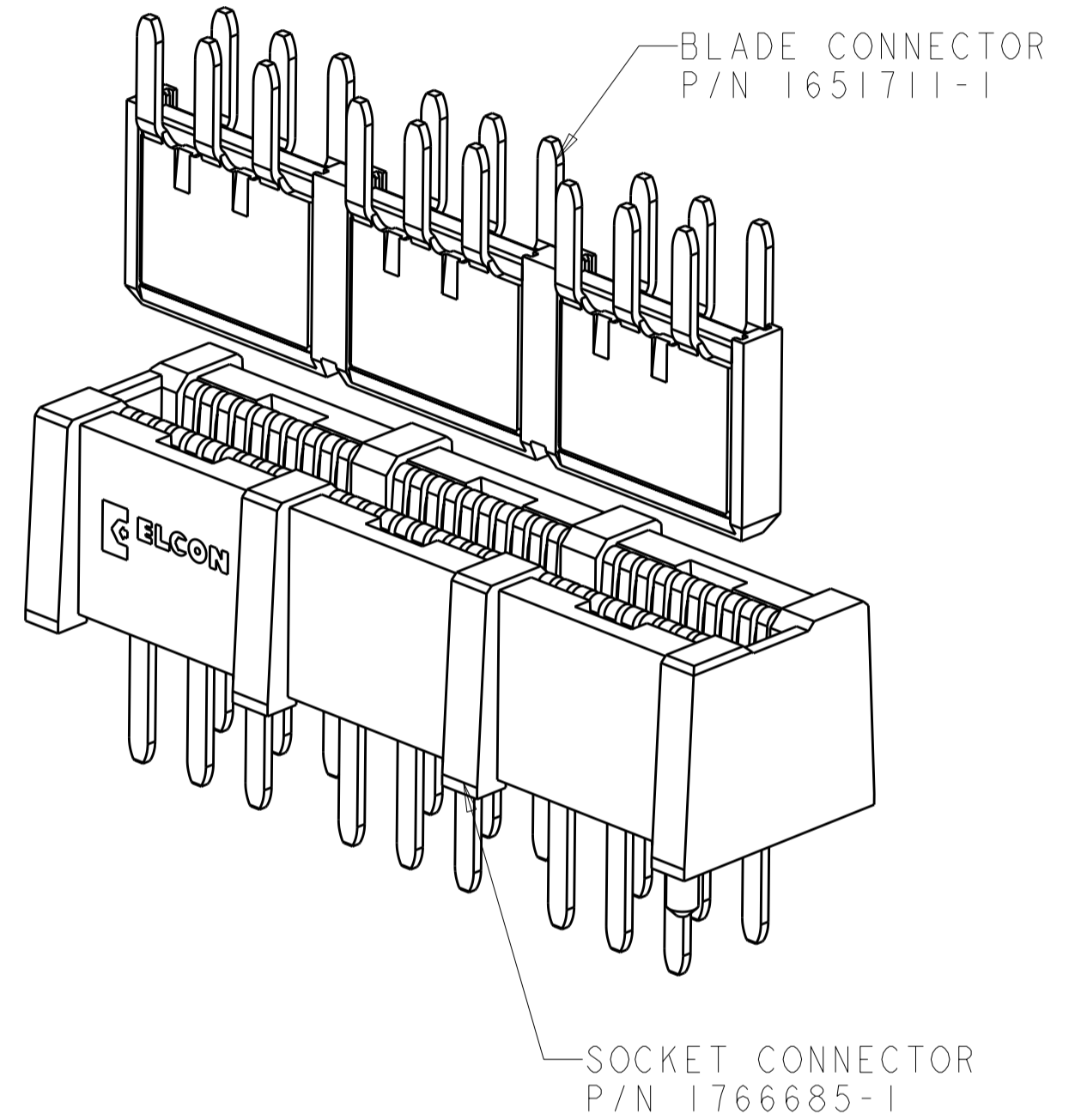
ELCON MINI CROWN EDGE

THIS DRAWING IS UNPUBLISHED. RELEASED FOR PUBLICATION 20
 © COPYRIGHT 20 BY TYCO ELECTRONICS CORPORATION. ALL RIGHTS RESERVED.

LOC		DIST		REVISIONS			
P	LTR	DESCRIPTION	DATE	DWN	APVD		
GP	00	-	SEE SHEET 1	-	-		



RECOMMENDED PC BOARD LAYOUT
 VIEWED FROM THE CONNECTOR SIDE



SECTION Z-Z

1766685-3 SHOWN
 COMPLIANT TAIL

<small>THIS DRAWING IS A CONTROLLED DOCUMENT FOR TYCO ELECTRONICS CORPORATION. IT IS SUBJECT TO CHANGE AND THE CONTROLLING ENGINEERING ORGANIZATION SHOULD BE CONTACTED FOR THE LATEST REVISION.</small>		DWN: 12 JAN 2009 WAN/GRZYBOWSKI CHK: P. DAMATO APVD: 12 JAN 2009 CHAU/PERCHERKE	AMP Tyco Electronics Corporation Harrisburg, PA 17105-3608
DIMENSIONS: mm	TOLERANCES UNLESS OTHERWISE SPECIFIED: 0 PLC ±.5 1 PLC ±.25 2 PLC ±.25 3 PLC ±. 4 PLC ±. ANGLES ±2 FINISH	PRODUCT SPEC APPLICATION SPEC WEIGHT	NAME: SOCKET CONNECTOR ASSEMBLY SOLDER AND COMPLIANT TAIL MC-P350 MINI CROWN EDGE SIZE: A2 CAGE CODE: 00779 DRAWING NO: 1766685 RESTRICTED TO:
MATERIAL		CUSTOMER DRAWING	SCALE: 5:1 SHEET 2 OF 2 REV: C1

单击下面可查看定价，库存，交付和生命周期等信息

[>>TE Connectivity\(泰科\)](#)