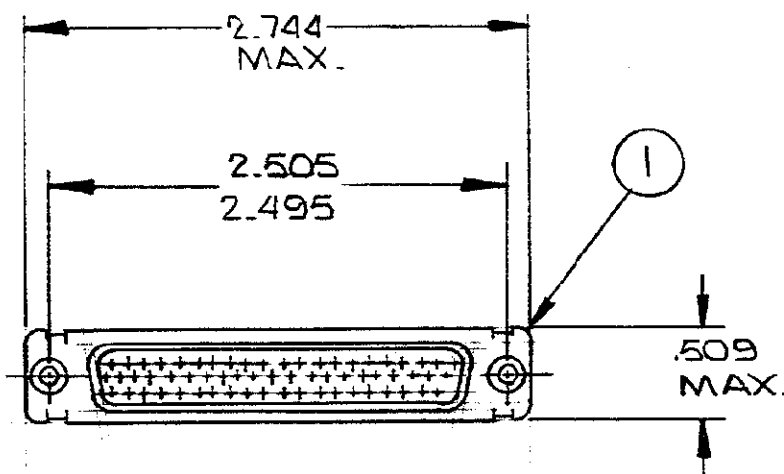


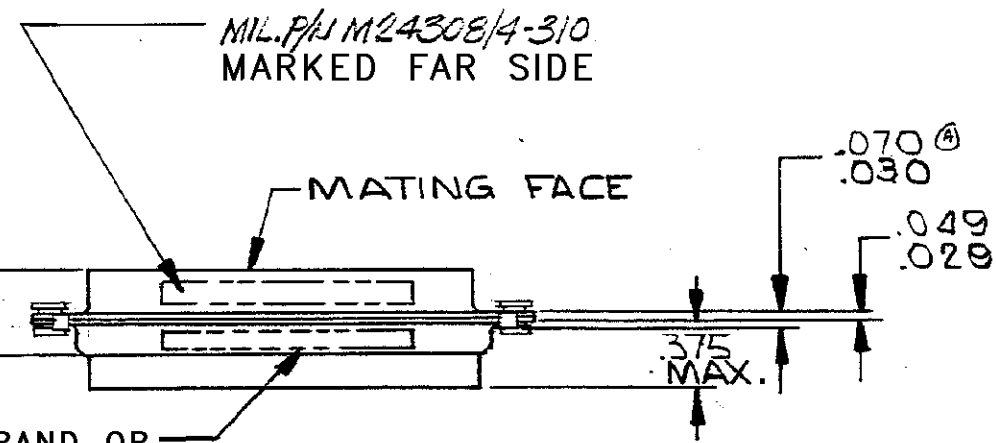
© 1971 BY AMP INCORPORATED. ALL RIGHTS RESERVED. AMP PRODUCTS COVERED BY PATENTS AND/OR PATENTS PENDING.

REVISIONS				
ZONE	LTR	DESCRIPTION	DATE	APPROVED
	A	REV. PER ECN B-948	5/11/73	JMS
	B	ITEM 2 WAS 91054-1 ECN C-878	3/19/74	JMS
	C	REV. PER ECN D-105	7/1/74	JMS
	D	REV PER ECN DF-00213 DF-0160 & R2670	1-13-88	EAM
	E	ECO-08-023688	11-08	BW

⚠ APPROPRIATE MILITARY P/N (KIT) IS MARKED ON PACKAGE



Unpublished copy not to be reproduced nor published without written permission of Amp Incorporated

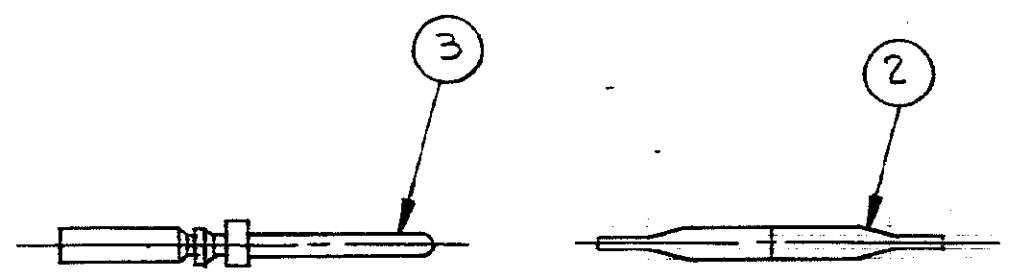


MFG'S NAME, BRAND OR LOGO, MFG'S PART NO AND DATE CODE, FAR SIDE

MIL. P/N M24308/4-310 MARKED FAR SIDE

SUPD BY 204543-2 & 91067-1

<input checked="" type="checkbox"/>	-	-	MILITARY P/N M24308/4-321F MARKED ON PACKAGE	
<input checked="" type="checkbox"/>	-	-	MILITARY P/N M24308/4-310F MARKED ON PACKAGE	
68	68	B	204370-2 CONTACT, PIN, SIZE #22D	3
1	-	B	91067-1 INSERTION/EXTRACTION TOOL	2
1	1	C	204531-1 PLUG ASS'Y, SIZE #4	1
-3	-2	-1	DWG. NUMBER	NAME
				ITEM NO.



204543 204543 204543	UNLESS OTHERWISE SPECIFIED DIMENSIONS ARE IN INCHES TOLERANCES ON: DECIMALS ± .015 ANGLES ± #	CONTRACT NO.	AMP INCORPORATED HARRISBURG, PENNSYLVANIA	
	MATERIAL	DR. <i>R.P. Matthews</i> 7-15-71 DES. <i>R. D. Baer</i> 7-20-71 APPD. <i>R. D. Baer</i> 7-20-71 DSGN APPD. <i>R. D. Baer</i> 7-20-71 OTHER APPD.	NAME KIT, "HDD" SERIES, PLUG, SIZE #4 WITH FLOATING BUSHINGS	
		SIZE B	CODE IDENT NO. 00779	NUMBER 204543
		SCALE		REV E
			SHEET 1 OF 1	

单击下面可查看定价，库存，交付和生命周期等信息

[>>TE Connectivity\(泰科\)](#)