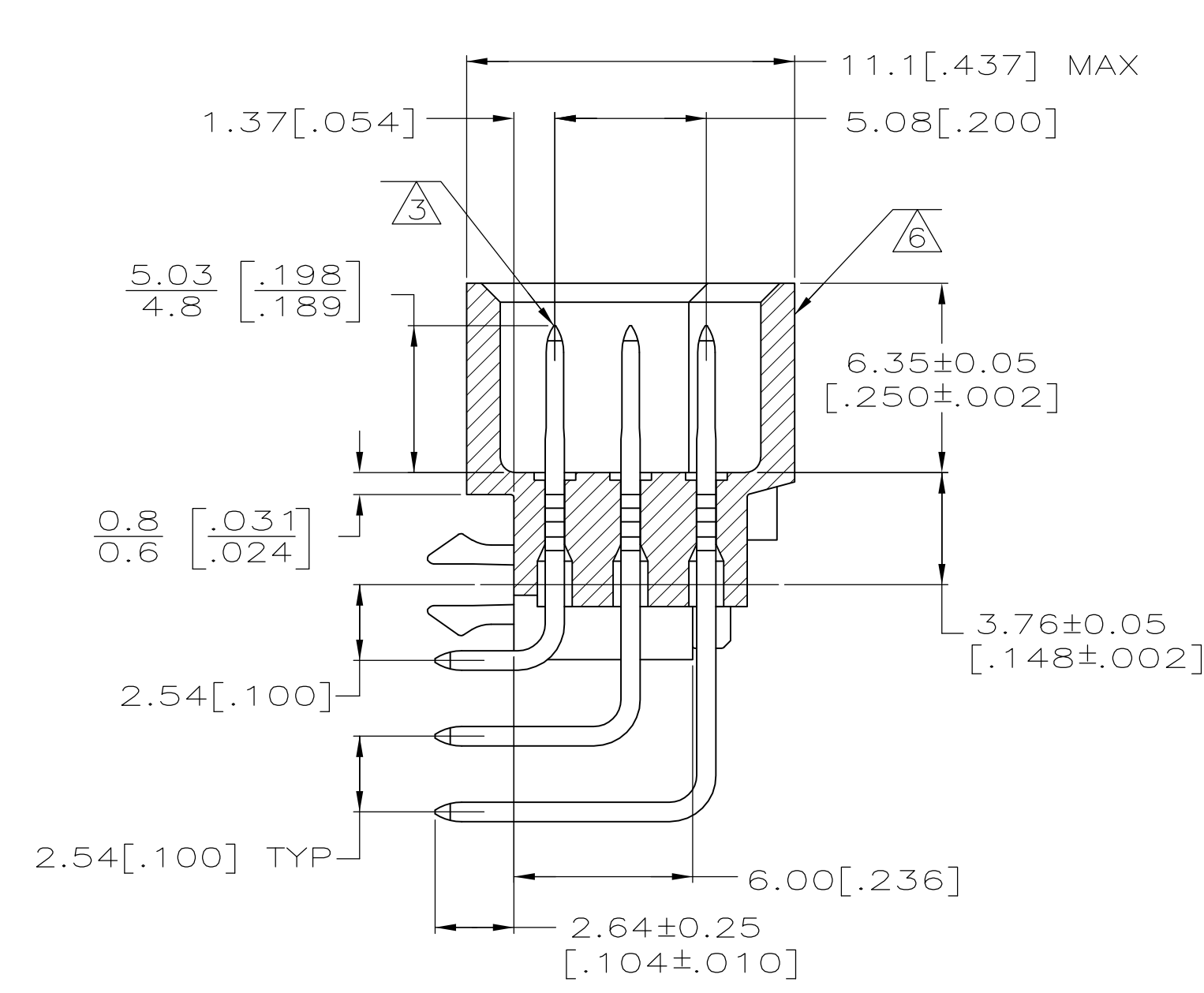


- 1 HOUSING MATERIAL: GLASS-FILLED, POLYMER.
- 2 POST MATERIAL: COPPER ALLOY.
- 3 POST FINISH: DIN 41612 CLASS 2 IN CONTACT AREA. TIN PLATE ON POSTS.
- 4 RECOMMENDED HOLE SIZE FOR MANUAL APPLICATION OF CONNECTOR ONTO PC BOARD.
- 5 PART NUMBER, DATE CODE MARKED THIS APPROXIMATE AREA.
- 6 MARKING ON THIS SIDE.
- 7 CSA LOGO MOLDED IN THIS AREA.



SECTION Z-Z

PC BOARD LAYOUT  
 RECOMMENDED PC BOARD THICKNESS 1.57 [0.062]

3	1-32	X	X	X	96	5536416-5
NOTES	POSITIONS LOADED	C	B	A	NO. OF LOADED POSITIONS	PART NUMBER

THIS DRAWING IS A CONTROLLED DOCUMENT.		DIN J. POLIGNONE 26APROS	Tyco Electronics Corporation Harrisburg, Pa 17105-3608	
DIMENSIONS: mm [INCHES]		CIK A. SHARPE 26APROS	NAME ASSEMBLY, PIN, EUROCARD, TYPE C, 96 POSITION, .104 SOLDER POST, WITH BOARD-LOCKS	
TOLERANCES UNLESS OTHERWISE SPECIFIED:		APVD A. SHARPE 26APROS	APPLICATION SPEC	
0. PLC ± -	1. PLC ± -	SIZE CASE CODE DRAWING NO. RESTRICTED TO		
2. PLC ± -	3. PLC ± 0.13 [0.005]	A1 00779 C=5536416		
4. PLC ± -	ANGLES ± -	WEIGHT		
MATERIAL FINISH		CUSTOMER DRAWING		SCALE 5:1 SHEET 1 OF 1 REV 02

单击下面可查看定价，库存，交付和生命周期等信息

[>>TE Connectivity\(泰科\)](#)