

THIS DRAWING IS UNPUBLISHED.

RELEASED FOR PUBLICATION

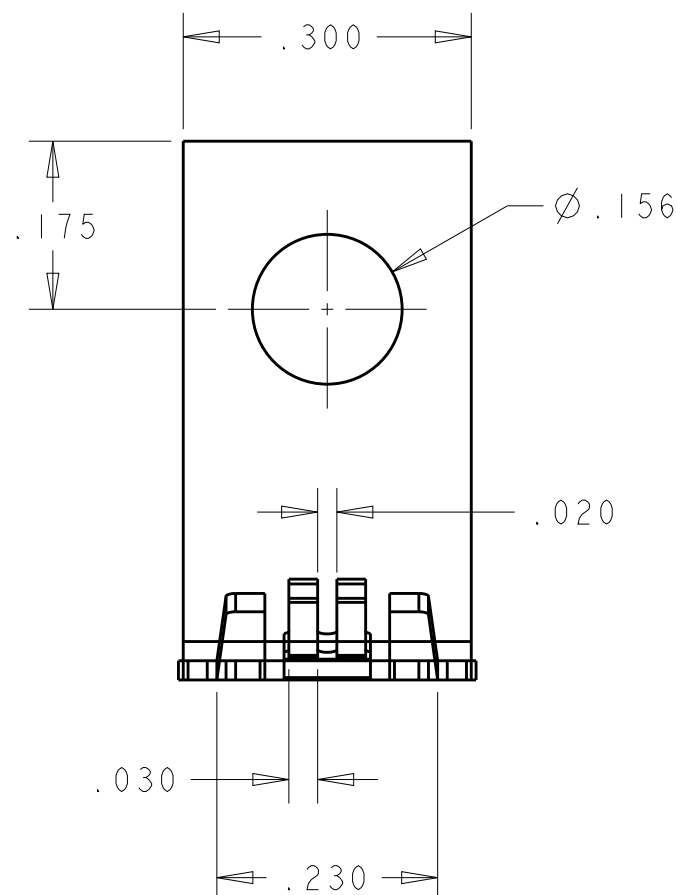
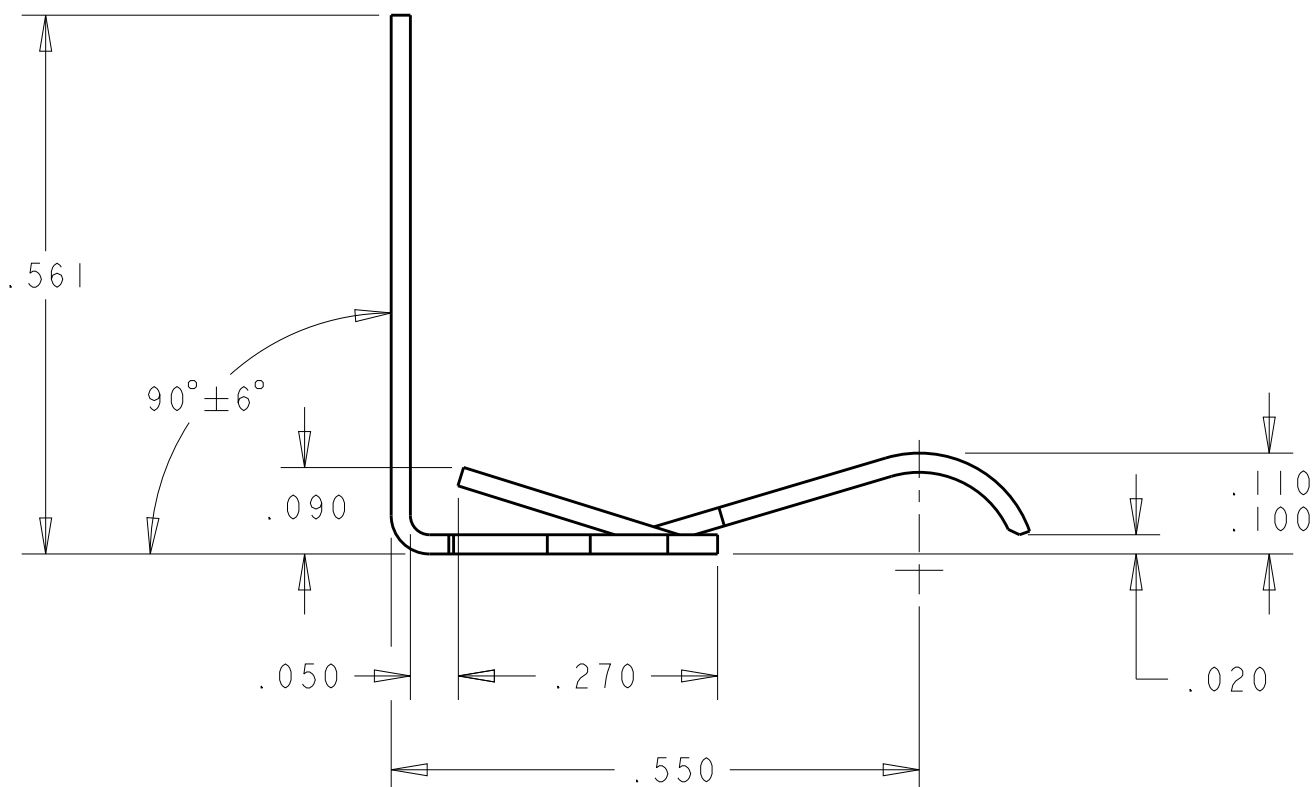
20

© COPYRIGHT 20 BY -

ALL RIGHTS RESERVED.

REVISIONS

P	LTR	DESCRIPTION	DATE	DWN	APVD
	M	REVISED PER ECO-14-004196	17JUN2014	NK	MM



	FINISH	PART NUMBER
	TIN OVER NICKEL	1-350056-2
OBSOLETE	.000015 GOLD OVER NICKEL	350056-4
	.000030 GOLD OVER NICKEL	350056-3
	TIN-LEAD OVER NICKEL	350056-2
OBSOLETE	GOLD FLASH OVER NICKEL	350056-1

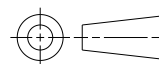
THIS DRAWING IS A CONTROLLED DOCUMENT.

DWN S. WELDON 31 JAN 2006
 CHK S. HEADER 31 JAN 2006
 APVD S. HEADER 31 JAN 2006



DIMENSIONS: INCHES

TOLERANCES UNLESS OTHERWISE SPECIFIED:



- 0 PLC ±0
- 1 PLC ±0
- 2 PLC ±.02
- 3 PLC ±.005
- 4 PLC ±.0005
- ANGLES ±0° 30'

NAME CONTACT, LOOSE PIECE, MULTIPLE TAP

MATERIAL -
 FINISH -

PRODUCT SPEC -
 APPLICATION SPEC -
 WEIGHT -
 Customer Drawing

SIZE	CAGE CODE	DRAWING NO	RESTRICTED TO
A3	00779	C-350056	-

SCALE 5:1 SHEET 1 OF 1 REV M

单击下面可查看定价，库存，交付和生命周期等信息

[>>TE Connectivity\(泰科\)](#)