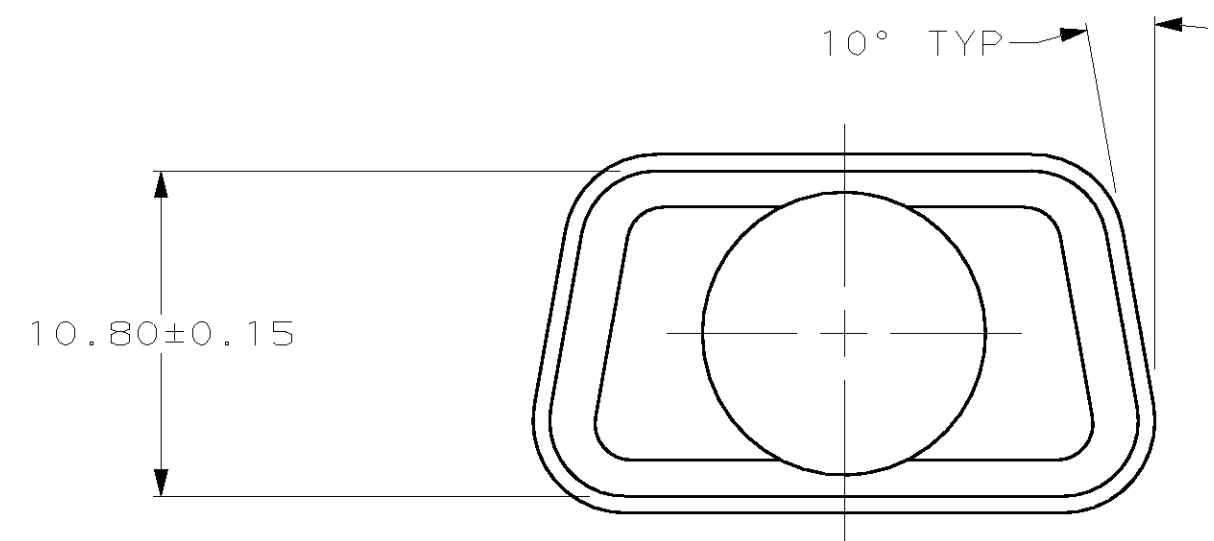
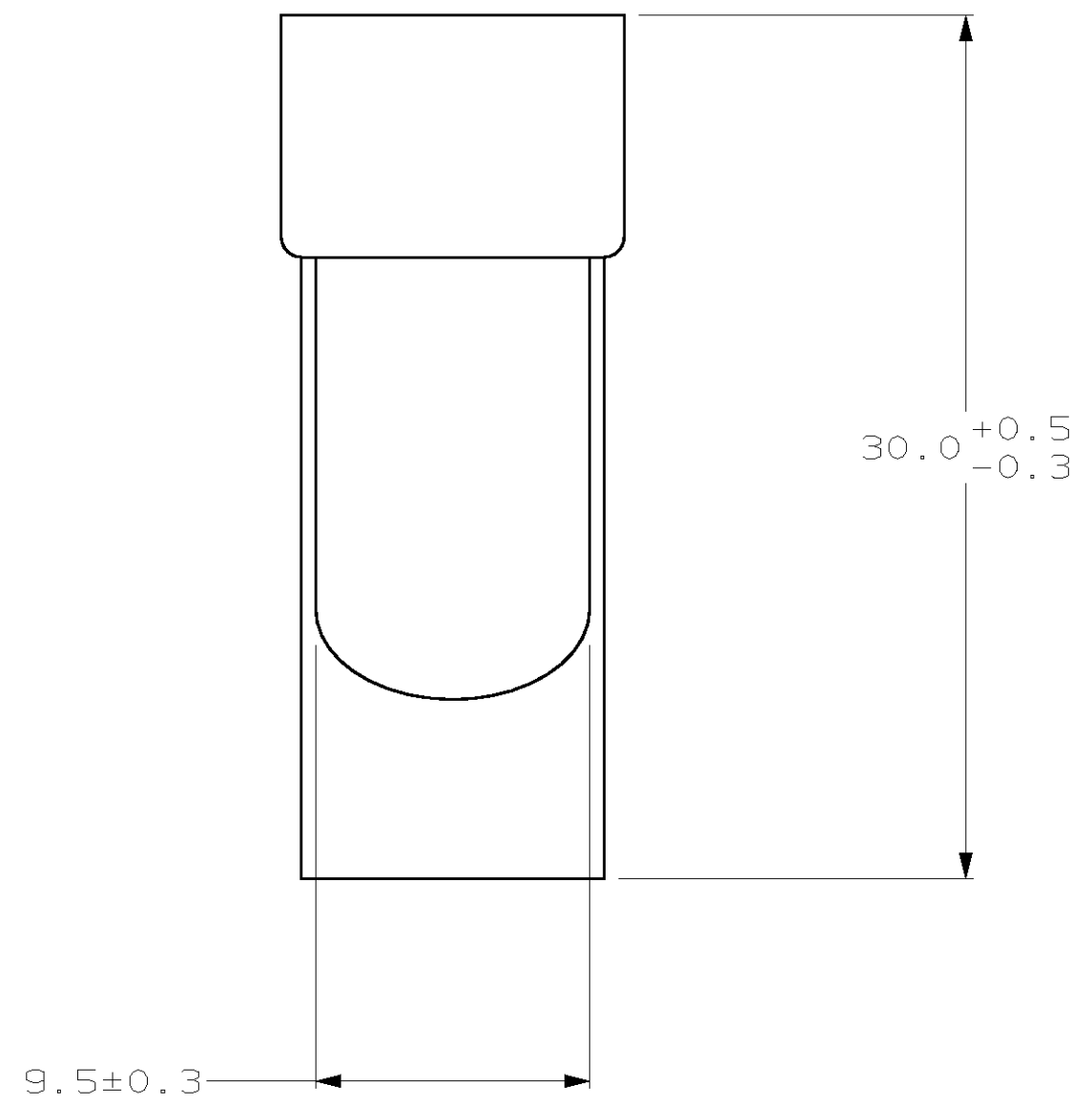
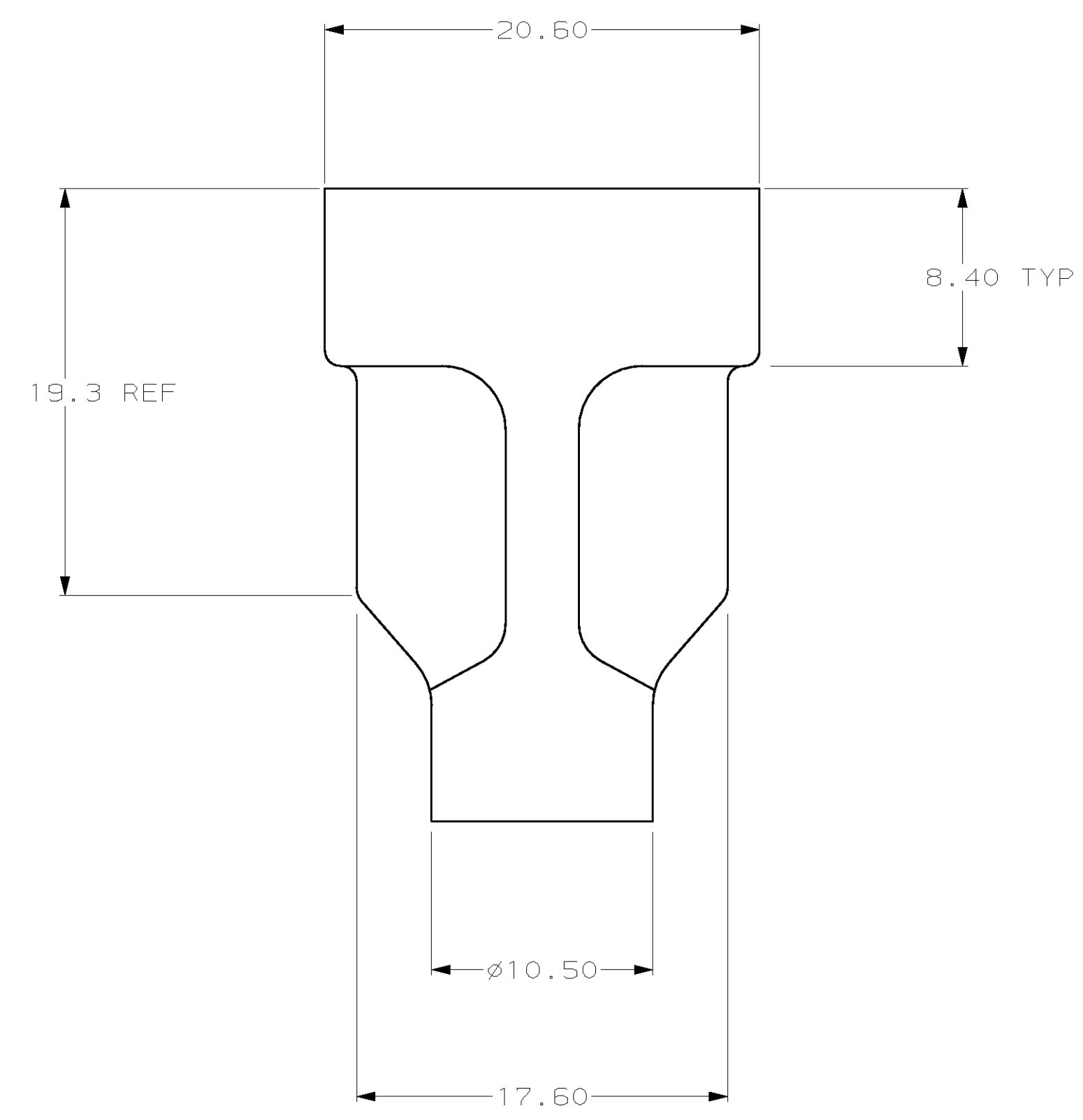


THIS DRAWING IS UNPUBLISHED. RELEASED FOR PUBLICATION .19
 (C) COPYRIGHT 19 BY AMP INCORPORATED. ALL RIGHTS RESERVED.

LOC	DIST	REVISIONS					
		P	LTR	DESCRIPTION	DATE	DWN	APVD
BD	48			RELEASED	19 AUG 96	DB	SB
				REV PER EC 0320-53-96	12 SEP 96	BC	DM
				REV PER EC 0640-229-98	10 MAY 99	DH	AF
				REV PER EC 001D-80-00	20 MAR 00	DB	DK



- 1 CARBON STEEL.
- 2 2.03 μm MIN TIN OVER 0.76 μm MIN COPPER.
- 3. ALL DIMENSIONS ARE NOMINAL UNLESS OTHERWISE SPECIFIED.
- 4. THESE SHIELDS ARE NOT INTENDED FOR USE WITH ANY COMMERCIAL CONNECTORS.



787593-2
 PART NUMBER

THIS DRAWING IS A CONTROLLED DOCUMENT.		DWN D. BROCKWAY 19 AUG 96	AMP Incorporated Harrisburg, PA 17105-3608
DIMENSIONS: mm		CHK S. BRINSER 19 AUG 96	
TOLERANCES UNLESS OTHERWISE SPECIFIED: 0 PLC ± 1 PLC ± 2 PLC ±0.10 3 PLC ± 4 PLC ± ANGLES ±2°		APVD S. BRINSER 19 AUG 96	
MATERIAL 1		FINISH 2	
PRODUCT SPEC APPLICATION SPEC WEIGHT -		NAME S. BRINSER	SHIELDING HARDWARE, 1 PIECE, ECONOMY, SIZE 1, AMPLIMITE
SCALE 4:1		SIZE A2	CAGE CODE 00779
SHEET 1 OF 1		DRAWING NO C-787593	REV C

787593

单击下面可查看定价，库存，交付和生命周期等信息

[>>TE Connectivity\(泰科\)](#)