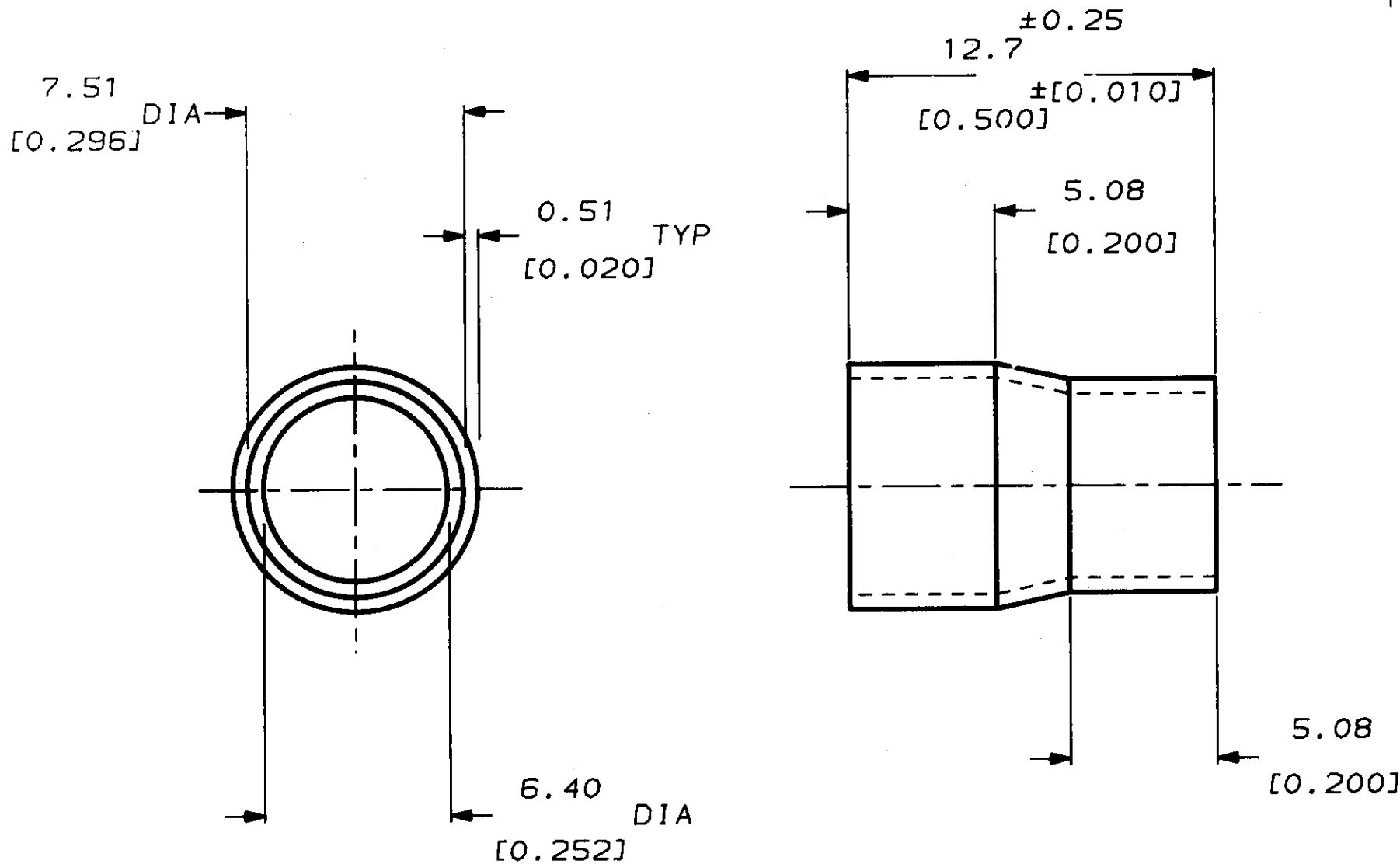


THIS DRAWING IS UNPUBLISHED. RELEASED FOR PUBLICATION, 19
 © COPYRIGHT 19 BY AMP INCORPORATED, HARRISBURG, PA. ALL INTERNATIONAL RIGHTS RESERVED. AMP PRODUCTS MAY BE COVERED BY U.S. AND FOREIGN PATENTS AND/OR PATENTS PENDING.

| | | REVISIONS | | | | |
|---|---|-----------|-----|---------------------|---------|----------|
| P | F | ZONE | LTR | DESCRIPTION | DATE | APPROVED |
| | | | A | REVISED PER AF0305 | 4/23/84 | SS |
| | | | B | REVISED PER AF0372 | 7/22/84 | SS |
| 1 | ✓ | | C | RELEASED PER P.A.R. | 8/28/84 | SS |
| | | | D | REV PER AF 4-4 | 12/8/84 | dr |



- 1 DIMENSIONS IN BRACKETS ARE IN INCHES
- 2 INSULATION RANGE: 6.25-5.13 [0.246-0.202]

520437-1

PART NO

| | | | | |
|---|-------------------------------|--|---------|---------------|
| UNLESS OTHERWISE SPECIFIED DIMENSIONS ARE IN DECIMALS INCHES. TOLERANCES ON: DECIMALS ± 0.00 [0.013] ANGLES ± | CONTRACT NO | AMP AMP INCORPORATED Harrisburg, Pa. | | |
| | DR <i>J. Schaff</i> 4/2/84 | NAME | | |
| | CHK <i>G. Yelton</i> 4/12/84 | SDL FERRULE STYLE B (8 POSITION) | | |
| | APPD <i>Jim Poutin</i> 1/8/84 | SIZE | FSCM NO | DRAWING NO |
| MATERIAL | APPD <i>C. Rohde</i> 8-30-84 | B | 00779 | 520437 |
| COPPER | DSGN APPD | SCALE | SHEET | |
| FINISH | OTHER APPD | | | |
| BRIGHT TIN | | | | |

单击下面可查看定价，库存，交付和生命周期等信息

[>>TE Connectivity\(泰科\)](#)