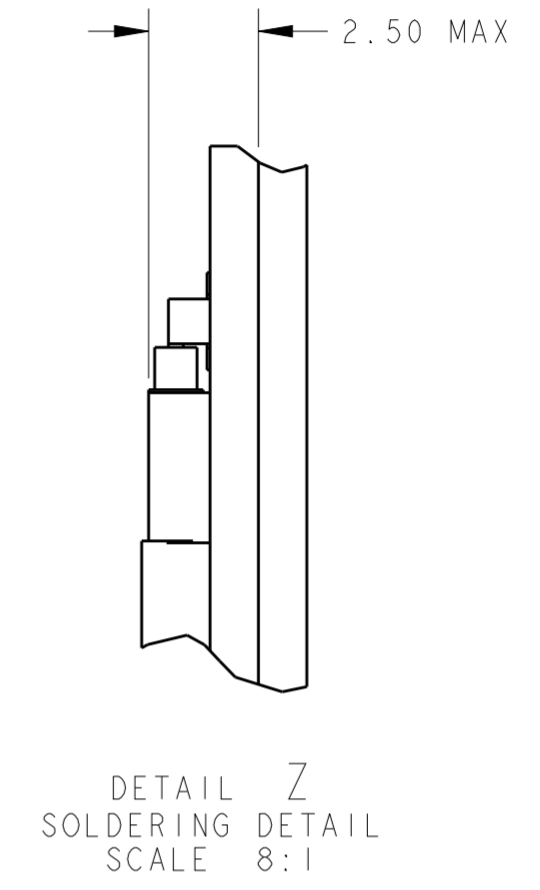
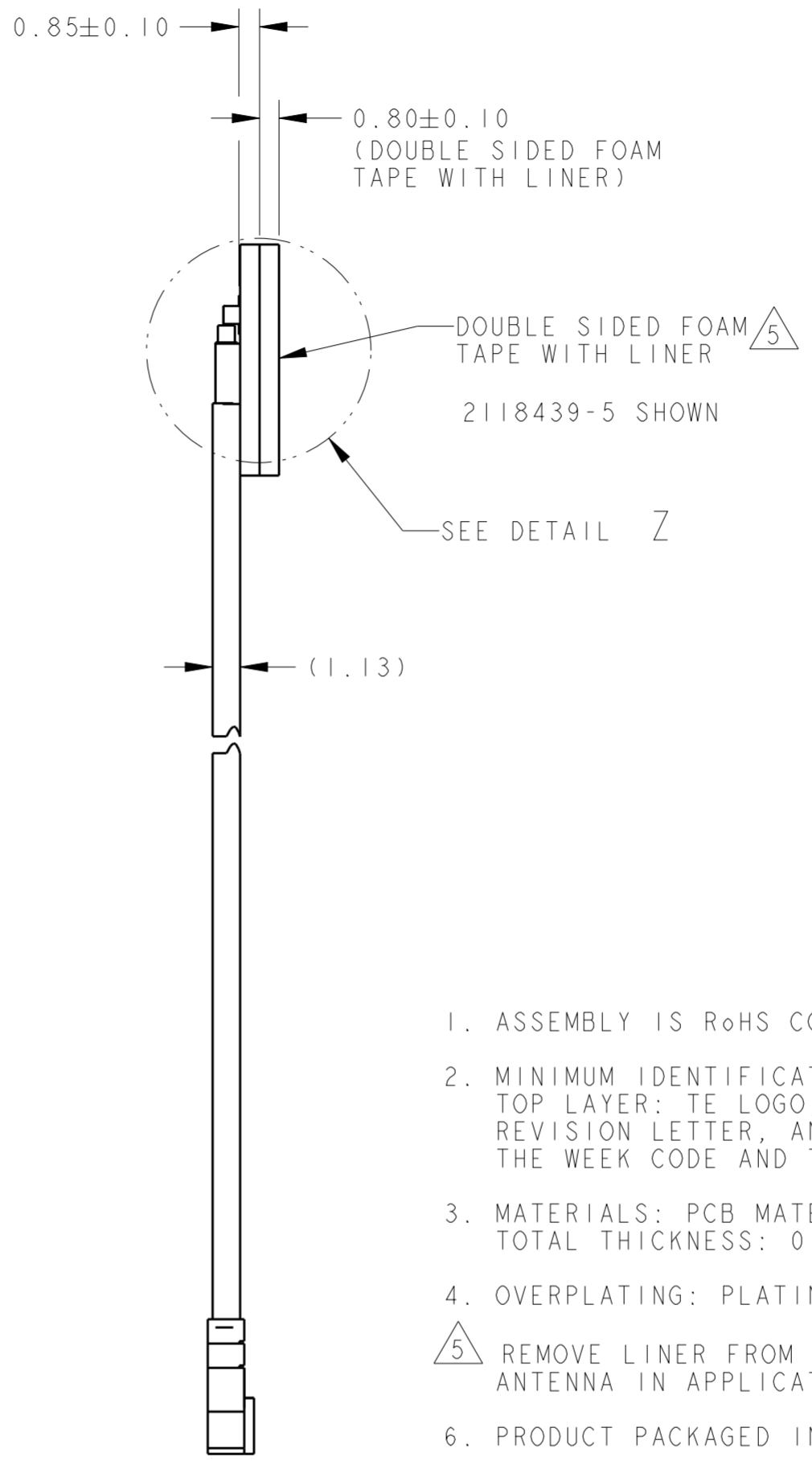
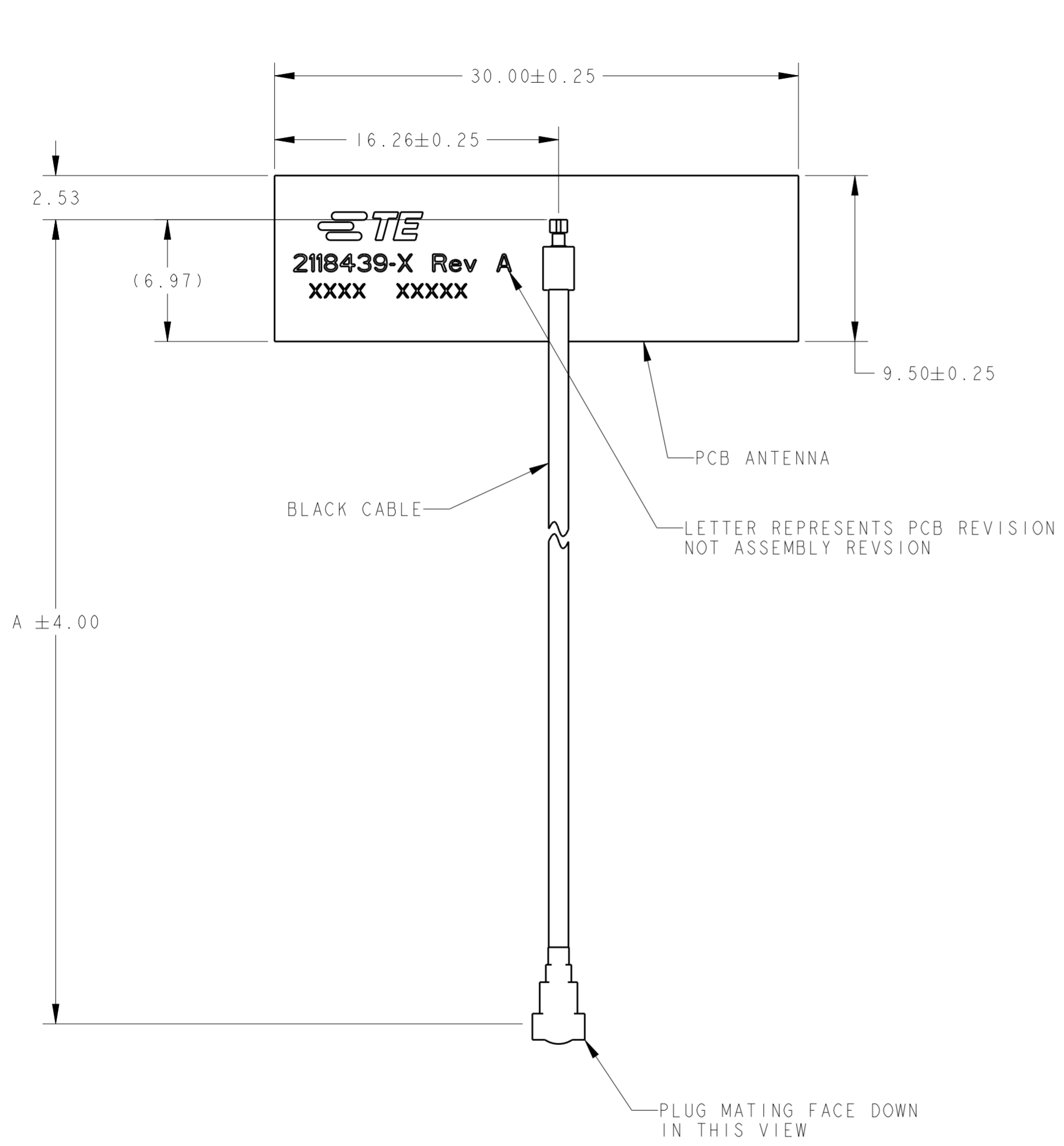


THIS DRAWING IS UNPUBLISHED. RELEASED FOR PUBLICATION 20  
 © COPYRIGHT 20 BY TYCO ELECTRONICS CORPORATION ALL RIGHTS RESERVED.

LOC	DIST	REVISIONS			
P	LTR	DESCRIPTION	DATE	DWN	APVD
00	AJ	A	RELEASED.	16SEP2014	KF PG
		AI	UPDATE CONNECTOR NOTE	15DEC2015	JPS JLM
		B	REVISED PER ECO-16-018604	28DEC2016	AP JM
		CI	REMOVE MCIS NOTE, ADD COAX INFO IN BOM	07MAR2017	JPS JLM



- ASSEMBLY IS RoHS COMPLIANT.
- MINIMUM IDENTIFICATION INCLUDES:  
TOP LAYER: TE LOGO, TE ASSEMBLY BASE PART NUMBER, ASSEMBLY REVISION LETTER, AND FOUR DIGIT DATE CODE (FIRST 2 DIGITS FOR THE WEEK CODE AND THE 2ND TWO DIGITS FOR THE YEAR CODE).
- MATERIALS: PCB MATERIAL  
TOTAL THICKNESS: 0.85 SINGLE SIDE, 1/2 OUNCE COPPER.
- OVERPLATING: PLATING ON EXPOSED COPPER AREAS TO BE E.N.I.G. FINISH.
- REMOVE LINER FROM DOUBLE SIDED FOAM TAPE 3M VHB 5608 TO APPLY ANTENNA IN APPLICATION.
- PRODUCT PACKAGED IN A BAG.

I-PEX	200.00	N	2118439-7
ECT	100.00	N	2118439-6
ECT	150.00	Y $\triangle 5$	2118439-5
ECT	300.00	N	2118439-4
ECT	160.00	N	2118439-3
ECT	310.00	N	2118439-2
ECT	250.00	N	2118439-1
COAX MFG	A	DOUBLE SIDED FOAM TAPE APPLIES	PART NUMBER

**CONFIDENTIAL**

THIS INFORMATION IS CONFIDENTIAL AND IS DISCLOSED TO YOU ON CONDITION THAT NO FURTHER DISCLOSURE IS MADE BY YOU TO OTHER THAN TYCO ELECTRONICS PERSONNEL WITHOUT WRITTEN AUTHORIZATION FROM TYCO ELECTRONICS, HARRISBURG, PA.

DIMENSIONS:		TOLERANCES UNLESS OTHERWISE SPECIFIED:		APVD		NAME	
mm		0 PLC ±	1 PLC ±	APVD	18MAR2014	STE TE Connectivity	
		2 PLC ±	3 PLC ±	CHK	18MAR2014	PCB ANTENNA ASSEMBLY, WITH MHF CONNECTOR	
		4 PLC ±	ANGLES ±	APVD	18MAR2014	SIZE	CAGE CODE
MATERIAL	SEE NOTES	FINISH	SEE NOTES	PRODUCT SPEC	-	A200779	C-2118439
				APPLICATION SPEC	-	DRAWING NO	RESTRICTED TO
				WEIGHT	-	SCALE	SHEET
				CUSTOMER DRAWING		4:1	OF
							REV
							C1

单击下面可查看定价，库存，交付和生命周期等信息

[>>TE Connectivity\(泰科\)](#)