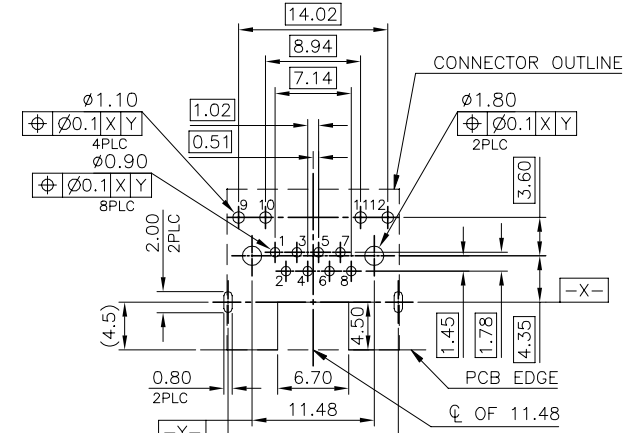
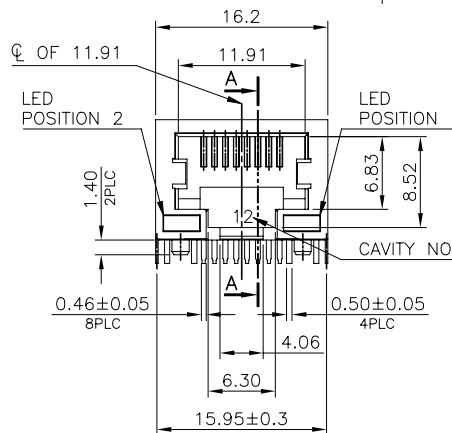
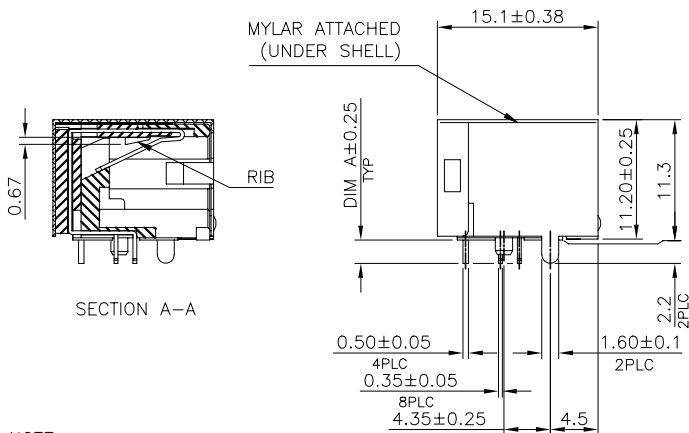
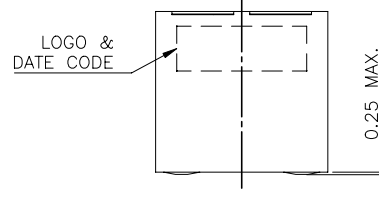
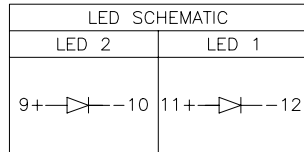


THIS DRAWING IS UNPUBLISHED. RELEASED FOR PUBLICATION
 © COPYRIGHT 2010 BY TYCO ELECTRONICS CORPORATION. ALL RIGHTS RESERVED.

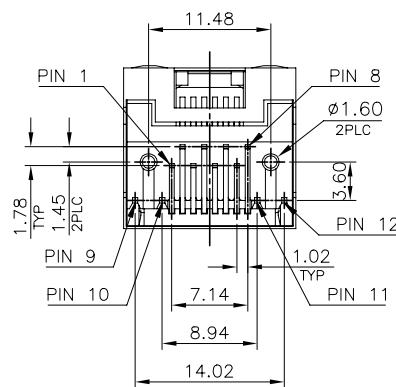
LOC	DIST	REVISIONS				
P	LTR	DESCRIPTION	DATE	DWN	APVD	
DW	A6	ECR-20-003143	26OCT'2019	RR	SH	



RECOMMENDED PCB LAYOUT (TOP VIEW)
 PCB THICKNESS: 1.6mm, TOLERANCE: ±0.05

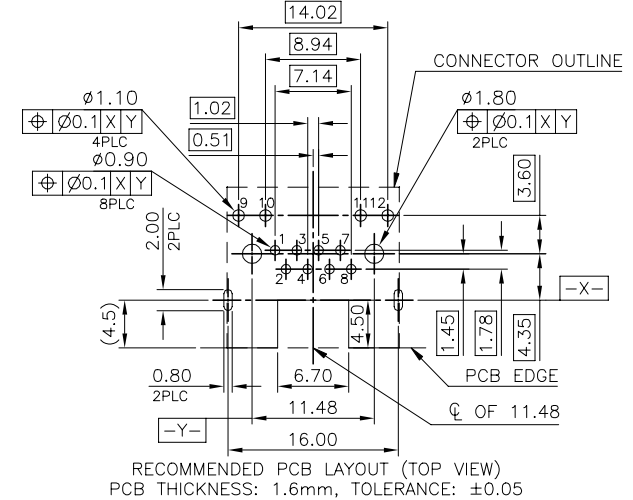
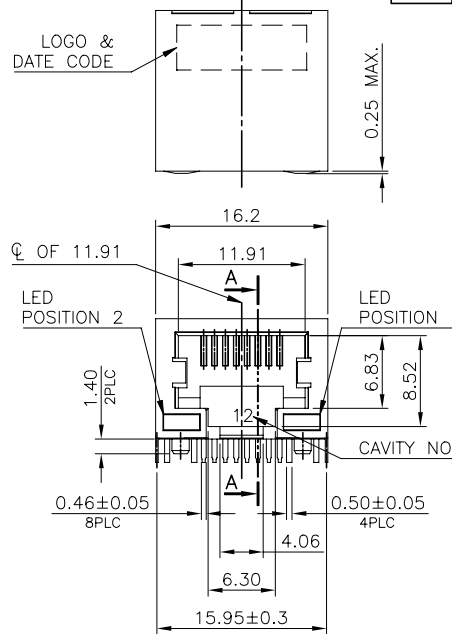
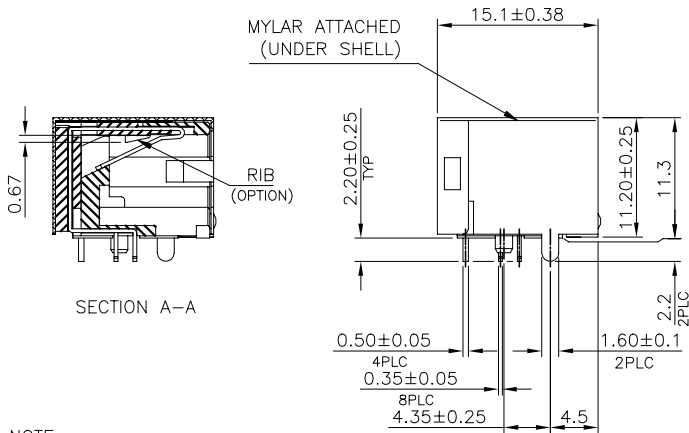
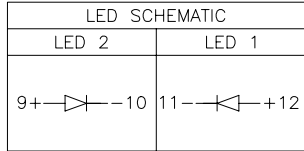
NOTE:

- MATERIAL:
 - HOUSING: PA46, WITH 30% GF, UL94 V-0, BLACK COLOR.
 - INSERT HOUSING: PA46, WITH 30% GF, UL94 V-0, BLACK COLOR.
 - CONTACTS: PHOSPHOR BRONZE.
 - SHELL: BRASS.
 - LED SOLDER TAIL: STEEL.
 - MYLAR: SILICONE POLYMER.
 - FINISH:
 - CONTACTS: (SEE TABLE) GOLD PLATED ON CONTACT AREA. GOLD FLASH ON SOLDER TAIL. 1.27um [50u"] MIN. NICKEL UNDERPLATED OVERALL.
 - SHELL: 0.508um [20u"] MIN. NICKEL PLATED.
 - LED: 1.02um [40u"] COPPER UNDERPLATED OVERALL. 0.2032um [8u"] NICKEL OVERALL. 0.254um [10u"] SILVER ON BONDING AREA. 0.2032um [80u"] BRIGHT-TIN ON SOLDER AREA.
 - LED MUST BE REFLOW COMPATIBLE TO FOLLOWING TEMPERATURE PROFILE (FOR 1 CYCLE): ABOVE 160°C FOR 120 SECONDS, PEAKING AT 220°C FOR 10 SECONDS.
 - LED DEFECT RATE IS 6000 PPM MAX. AFTER IR REFLOW PROCESS AS NOTE 3.
 - WAVE SOLDER CAPABLE TO 265°C PER TE SPEC 109-202, CONDITION B.
- ⚠️ OBSOLETE PARTS: OBSOLETE CIS STREAMLINING PER D.RENAUD/D.SINISI.



STATUS	REEL	TRAY	PACKAGE	DIM A	POSITION 2	POSITION 1	MIN. GOLD THICKNESS	PART NUMBER
⚠️ OBSOLETE	REEL	2.2	TRAY	DIM A	YELLOW	GREEN	1.27um[50u"]	1-1734324-8
						0.762um[30u"]	1-1734324-7	
						0.381um[15u"]	1-1734324-6	
						0.152um[6u"]	1-1734324-5	
⚠️ OBSOLETE	TRAY	2.2	TRAY	DIM A	GREEN	YELLOW	1.27um[50u"]	1-1734324-4
						0.762um[30u"]	1-1734324-3	
						0.381um[15u"]	1-1734324-2	
						0.152um[6u"]	1-1734324-1	
⚠️ OBSOLETE	TRAY	2.2	TRAY	DIM A	YELLOW	GREEN	1.27um[50u"]	1-1734324-8
						0.762um[30u"]	1734324-7	
						0.381um[15u"]	1-1734324-6	
						0.152um[6u"]	1734324-5	
⚠️ OBSOLETE	TRAY	2.2	TRAY	DIM A	GREEN	YELLOW	1.27um[50u"]	1-1734324-4
						0.762um[30u"]	1734324-3	
						0.381um[15u"]	1-1734324-2	
						0.152um[6u"]	1734324-1	

DIMENSIONS:		TOLERANCES UNLESS OTHERWISE SPECIFIED:		APPROVED:		NAME:	
mm	0 PLC ±	1 PLC ±0.3	2 PLC ±0.2	DWN	A. WU	04MAR2008	TE Connectivity
	3 PLC ±0.15	4 PLC ±	ANGLES ±3°	CHK	S. HOU	04MAR2008	
				APVD	W. KODAMA	04MAR2008	
				PRODUCT SPEC	108-57535		
				APPLICATION SPEC			
MATERIAL	SEE NOTE	FINISH	SEE NOTE	WEIGHT	4.5 GRAMS		RESTRICTED TO
				CUSTOMER DRAWING	SIZE	A3	
					CAGE CODE	00779	
					DRAWING NO	C=1734324	
					SCALE		
					SHEET	1 OF 7	
					REV	A6	



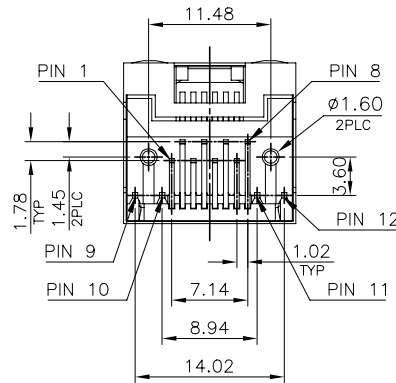
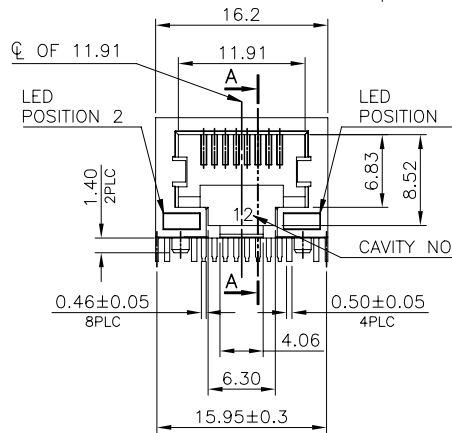
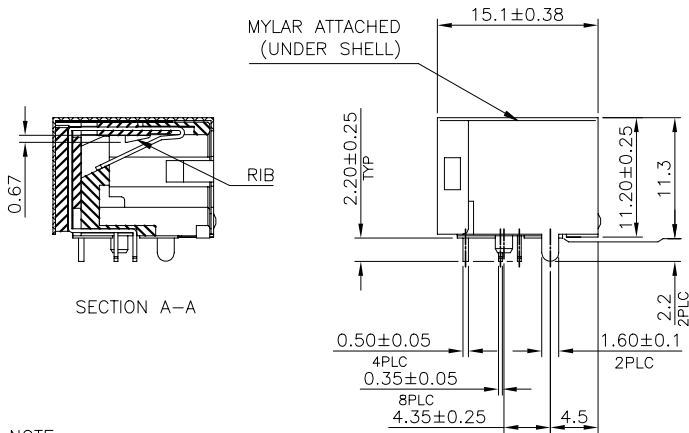
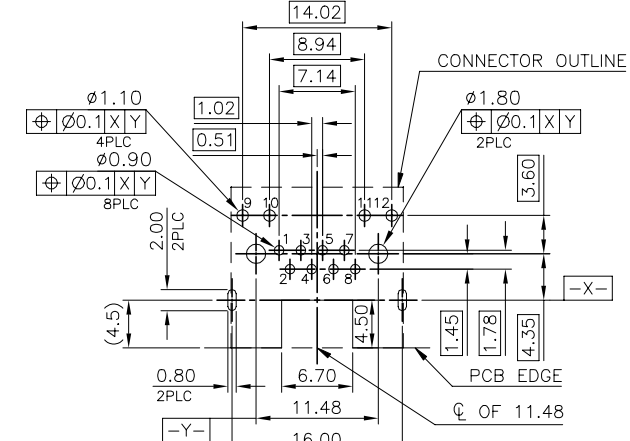
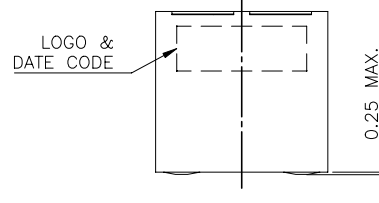
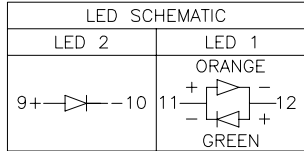
NOTE:

- MATERIAL:
 - HOUSING: PA46, WITH 30% GF, UL94 V-0, BLACK COLOR.
 - INSERT HOUSING: PA46, WITH 30% GF, UL94 V-0, BLACK COLOR.
 - CONTACTS: PHOSPHOR BRONZE.
 - SHELL: BRASS.
 - LED SOLDER TAIL: STEEL.
 - MYLAR: SILICONE POLYMER.
 - FINISH:
 - CONTACTS: (SEE TABLE) GOLD PLATED ON CONTACT AREA. GOLD FLASH ON SOLDER TAIL. 1.27um [50u"] MIN. NICKEL UNDERPLATED OVERALL.
 - SHELL: 0.508um [20u"] MIN. NICKEL PLATED.
 - LED: 1.02um [40u"] COPPER UNDERPLATED OVERALL. 0.2032um [8u"] NICKEL OVERALL. 0.254um [10u"] SILVER ON BONDING AREA. 0.2032um [80u"] BRIGHT-TIN ON SOLDER AREA.
 - LED MUST BE REFLOW COMPATIBLE TO FOLLOWING TEMPERATURE PROFILE (FOR 1 CYCLE): ABOVE 160°C FOR 120 SECONDS, PEAKING AT 220°C FOR 10 SECONDS.
 - LED DEFECT RATE IS 6000 PPM MAX. AFTER IR REFLOW PROCESS AS NOTE 3.
 - WAVE SOLDER CAPABLE TO 265°C PER TE SPEC 109-202, CONDITION B.
- △ OBSOLETE PARTS: OBSOLETE CIS STREAMLINING PER D.RENAUD/D.SINISI.

△	OBSOLETE	W/O TAPE & REEL	YELLOW	GREEN	1.27um[50u"]	3-1734324-6
					0.762um[30u"]	3-1734324-7
△	OBSOLETE	W/O TAPE & REEL	GREEN	YELLOW	0.381um[15u"]	3-1734324-6
					0.152um[6u"]	3-1734324-5
△	OBSOLETE	W/ TRAY	YELLOW	GREEN	1.27um[50u"]	3-1734324-4
					0.762um[30u"]	3-1734324-3
△	OBSOLETE	W/ TRAY	YELLOW	GREEN	0.381um[15u"]	3-1734324-2
					0.152um[6u"]	3-1734324-1
△	OBSOLETE	W/ TRAY	GREEN	YELLOW	1.27um[50u"]	2-1734324-8
					0.762um[30u"]	2-1734324-7
△	OBSOLETE	W/ TRAY	GREEN	YELLOW	0.381um[15u"]	2-1734324-6
					0.152um[6u"]	2-1734324-5
		RIB PACKAGE	POSITION 2	POSITION 1	MIN. GOLD THICKNESS	PART NUMBER

THIS DRAWING IS A CONTROLLED DOCUMENT.

DWN	-		TE Connectivity		
CHK	-		NAME		
APVD	-		MODULAR JACK CONNECTOR RJ45 WITH LED, 8P8C, SHIELDED TAB DOWN, DIP TYPE, H=11.3mm		
PRODUCT SPEC	-		RESTRICTED TO		
APPLICATION SPEC	-	SIZE	CAGE CODE	DRAWING NO	RESTRICTED TO
WEIGHT	-	A3	00779	C=1734324	-
CUSTOMER DRAWING	-	SCALE	SHEET	2 OF 7	REV A6



NOTE:

- MATERIAL:
 - HOUSING: PA46, WITH 30% GF, UL94 V-0, BLACK COLOR.
 - INSERT HOUSING: PA46, WITH 30% GF, UL94 V-0, BLACK COLOR.
 - CONTACTS: PHOSPHOR BRONZE.
 - SHELL: BRASS.
 - LED SOLDER TAIL: STEEL.
 - MYLAR: SILICONE POLYMER.
 - FINISH:
 - CONTACTS: (SEE TABLE) GOLD PLATED ON CONTACT AREA. GOLD FLASH ON SOLDER TAIL. 1.27µm [50u"] MIN. NICKEL UNDERPLATED OVERALL.
 - SHELL: 0.508µm [20u"] MIN. NICKEL PLATED.
 - LED: 1.02µm [40u"] COPPER UNDERPLATED OVERALL. 0.2032µm [8u"] NICKEL OVERALL. 0.254µm [10u"] SILVER ON BONDING AREA. 0.2032µm [80u"] BRIGHT-TIN ON SOLDER AREA.
 - LED MUST BE REFLOW COMPATIBLE TO FOLLOWING TEMPERATURE PROFILE (FOR 1 CYCLE): ABOVE 160°C FOR 120 SECONDS, PEAKING AT 220°C FOR 10 SECONDS.
 - LED DEFECT RATE IS 6000 PPM MAX. AFTER IR REFLOW PROCESS AS NOTE 3.
 - WAVE SOLDER CAPABLE TO 265°C PER TE SPEC 109-202, CONDITION B.
- ⚠️ OBSOLETE PARTS: OBSOLETE CIS STREAMLINING PER D.RENAUD/D.SINISI.

⚠️ OBSOLETE	TRAY	GREEN	ORANGE/GREEN	1.27µm[50u"]	4-1734324-4	
				0.762µm[30u"]	4-1734324-3	
				0.381µm[15u"]	4-1734324-2	
				0.152µm[6u"]	4-1734324-1	
	PACKAGE		POSITION 2	POSITION 1	MIN. GOLD THICKNESS	PART NUMBER

THIS DRAWING IS A CONTROLLED DOCUMENT.

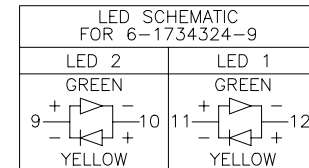
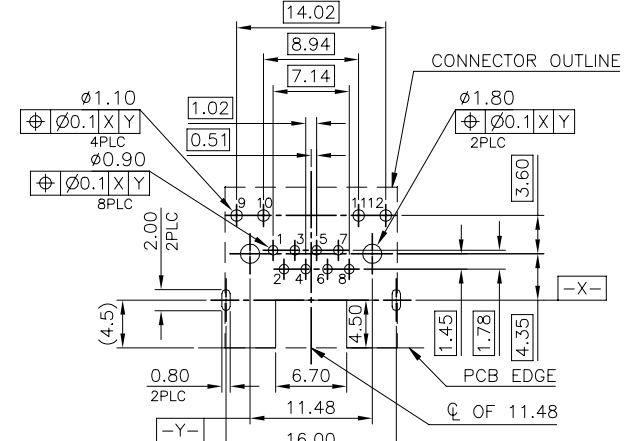
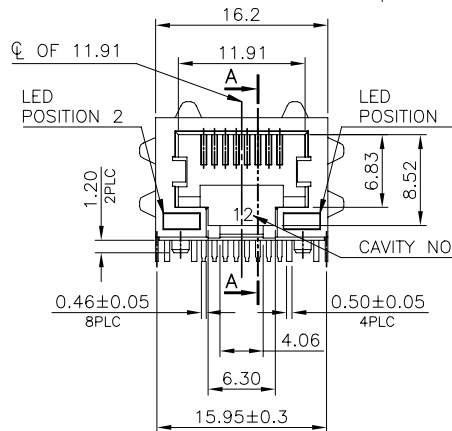
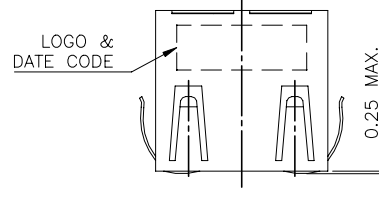
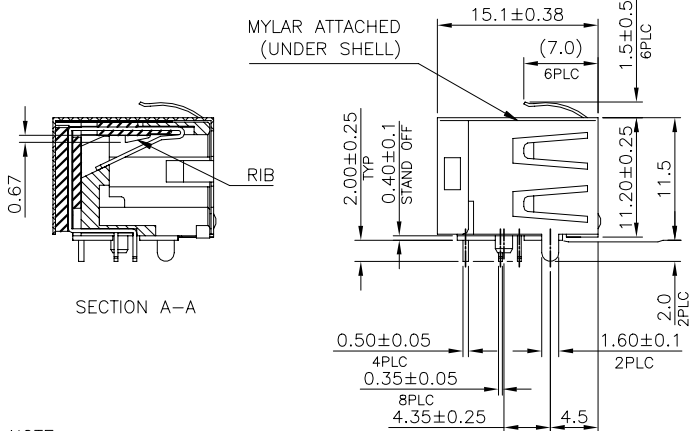
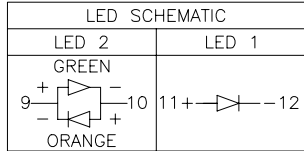
DWN _____
 CHK _____
 APVD _____
 PRODUCT SPEC _____
 APPLICATION SPEC _____
 WEIGHT _____
 CUSTOMER DRAWING _____

TE TE Connectivity

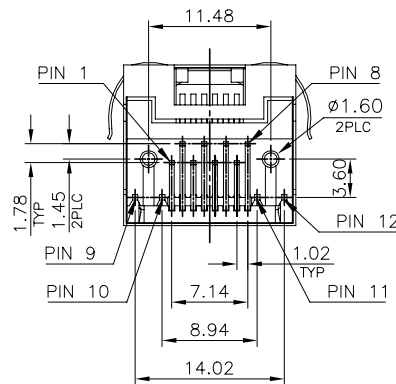
NAME: MODULAR JACK CONNECTOR RJ45 WITH LED, 8P8C, SHIELDED TAB DOWN, DIP TYPE, H=11.3mm

SIZE: A3 CAGE CODE: 00779 DRAWING NO: 1734324 RESTRICTED TO: _____

SCALE: _____ SHEET: 3 OF 7 REV: A6



- NOTE:
- MATERIAL:
 - HOUSING: PA9T, WITH 30% GF, UL94 V-0, BLACK COLOR.
 - INSERT HOUSING: PA46, WITH 30% GF, UL94 V-0, BLACK COLOR.
 - CONTACTS: PHOSPHOR BRONZE.
 - SHELL: BRASS.
 - LED SOLDER TAIL: STEEL.
 - MYLAR: SILICONE POLYMER.
 - FINISH:
 - CONTACTS: (SEE TABLE) GOLD PLATED ON CONTACT AREA. GOLD FLASH ON SOLDER TAIL. 1.27µm [50u"] MIN. NICKEL UNDERPLATED OVERALL.
 - SHELL: 0.508µm [20u"] MIN. NICKEL PLATED.
 - LED: 1.02µm [40u"] COPPER UNDERPLATED OVERALL. 0.2032µm [8u"] NICKEL OVERALL. 0.254µm [10u"] SILVER ON BONDING AREA. 0.2032µm [80u"] BRIGHT-TIN ON SOLDER AREA.
 - LED MUST BE REFLOW COMPATIBLE TO FOLLOWING TEMPERATURE PROFILE (FOR 1 CYCLE): ABOVE 160°C FOR 120 SECONDS, PEAKING AT 220°C FOR 10 SECONDS.
 - LED DEFECT RATE IS 6000 PPM MAX. AFTER IR REFLOW PROCESS AS NOTE 3.
 - WAVE SOLDER CAPABLE TO 265°C PER TE SPEC 109-202, CONDITION B.



TAPE & REEL	GREEN/YELLOW	GREEN/YELLOW	1.27µm[50u"]	6-1734324-9
	TRAY	GREEN/ORANGE	YELLOW	1.27µm[50u"]
0.762µm[30u"]				6-1734324-7
0.381µm[15u"]				6-1734324-6
0.152µm[6u"]				6-1734324-5
1.27µm[50u"]				6-1734324-4
0.762µm[30u"]				6-1734324-3
PACKAGE	POSITION 2	POSITION 1	MIN. GOLD THICKNESS	PART NUMBER
	INDICATOR COLOR			

THIS DRAWING IS A CONTROLLED DOCUMENT.

DWN _____

CHK _____

APVD _____

PRODUCT SPEC _____

APPLICATION SPEC _____

WEIGHT _____

CUSTOMER DRAWING _____

TE Connectivity

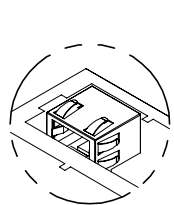
NAME: MODULAR JACK CONNECTOR RJ45 WITH LED, 8P8C, SHIELDED TAB DOWN, DIP TYPE, H=11.3mm

SIZE: A3 CAGE CODE: 00779 DRAWING NO: 1734324 RESTRICTED TO: _____

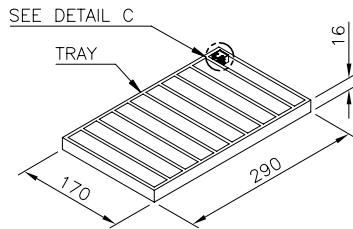
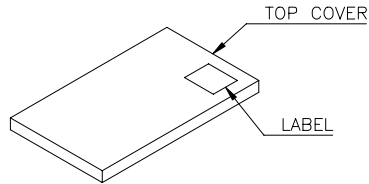
SCALE: _____ SHEET: 5 OF 7 REV: A6

THIS DRAWING IS UNPUBLISHED. RELEASED FOR PUBLICATION
 © COPYRIGHT 2010 BY TYCO ELECTRONICS CORPORATION. ALL RIGHTS RESERVED.

LOC DW	DIST	REVISIONS		
P	LTR	DESCRIPTION	DATE	DWN
		SEE SHEET 1.		APVD

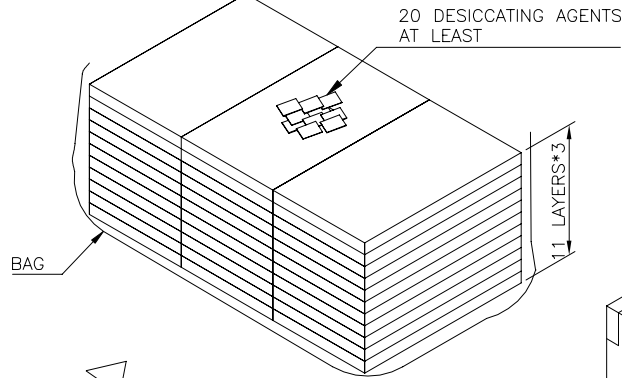


DETAIL C

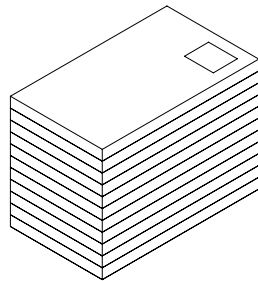
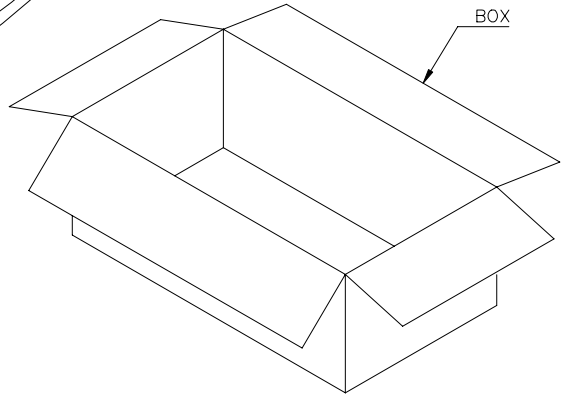
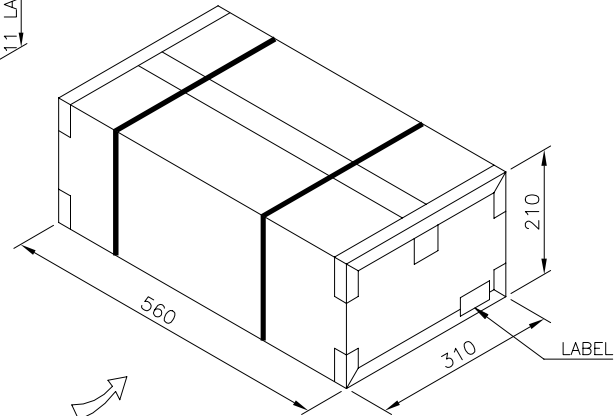


SEE DETAIL C

TRAY



20 DESICCATING AGENTS AT LEAST



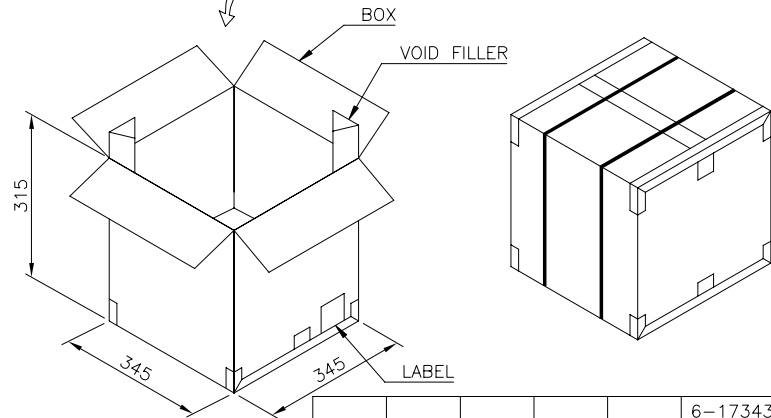
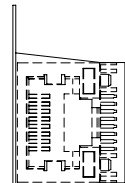
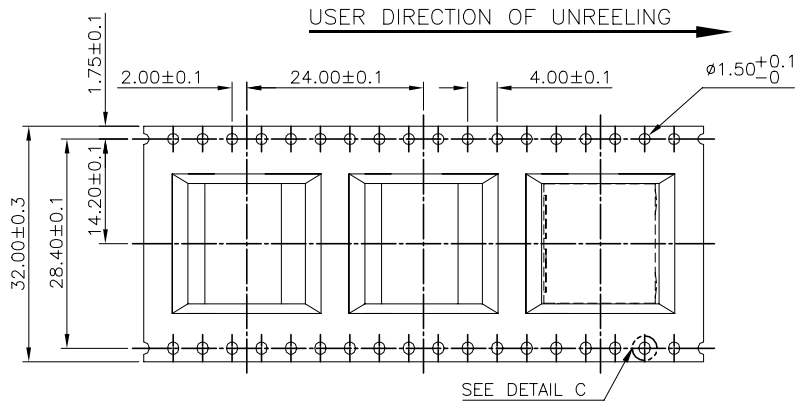
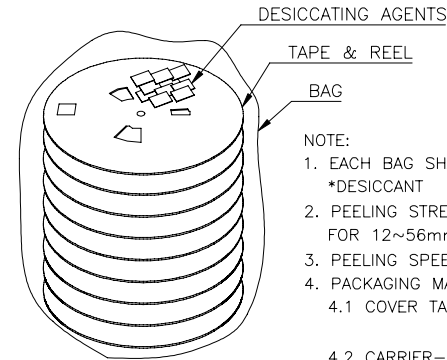
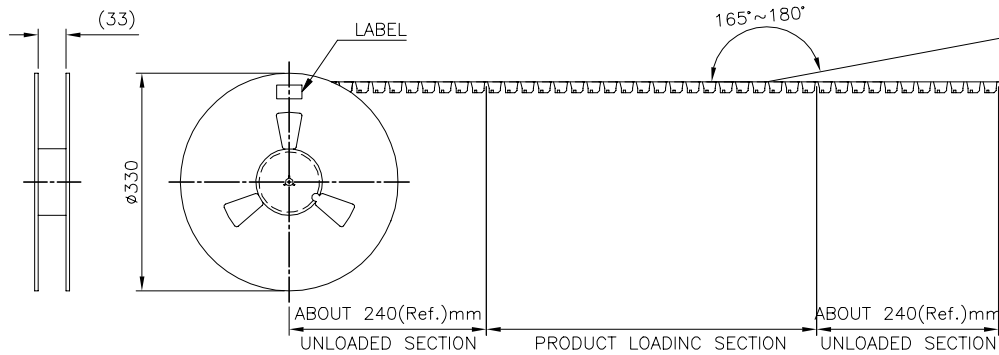
13Kg	11.1Kg	80	33	2640	6-1734324-1~4
14.5Kg	12.5Kg	90	33		7-1734324-X
					4-1734324-X
					2-1734324-X
					1734324-X
GROSS WEIGHT	NET WEIGHT	PCS /TRAY	TRAY /BOX	PCS /BOX	PART NUMBER

- NOTES:
 1. MATERIAL:
 TRAY: PVC.
 BOX: CORRUGATED FIBER.
 2. DIMENSION: SEE DRAWING
 3. QUANTITY: SEE TABLE
 4. WEIGHT: SEE TABLE

THIS DRAWING IS A CONTROLLED DOCUMENT.		DWN	TE Connectivity																
<table border="1"> <tr> <th>DIMENSIONS:</th> <th>TOLERANCES UNLESS OTHERWISE SPECIFIED:</th> </tr> <tr> <td>mm</td> <td>0 PLC ±</td> </tr> <tr> <td></td> <td>1 PLC ±0.3</td> </tr> <tr> <td></td> <td>2 PLC ±0.2</td> </tr> <tr> <td></td> <td>3 PLC ±0.15</td> </tr> <tr> <td></td> <td>4 PLC ±</td> </tr> <tr> <td></td> <td>ANGLES ± 3'</td> </tr> </table>		DIMENSIONS:				TOLERANCES UNLESS OTHERWISE SPECIFIED:	mm	0 PLC ±		1 PLC ±0.3		2 PLC ±0.2		3 PLC ±0.15		4 PLC ±		ANGLES ± 3'	CHK
DIMENSIONS:	TOLERANCES UNLESS OTHERWISE SPECIFIED:																		
mm	0 PLC ±																		
	1 PLC ±0.3																		
	2 PLC ±0.2																		
	3 PLC ±0.15																		
	4 PLC ±																		
	ANGLES ± 3'																		
MATERIAL		APVD	MODULAR JACK CONNECTOR																
FINISH		PRODUCT SPEC	RJ45 WITH LED, 8P8C, SHIELDED																
		APPLICATION SPEC	TAB DOWN, DIP TYPE, H=11.3mm																
		WEIGHT	SIZE	CAGE CODE	DRAWING NO														
		CUSTOMER DRAWING	A3	00779	C=1734324														
			SCALE	SHEET	RESTRICTED TO														
				6 OF 7	REV A6														

THIS DRAWING IS UNPUBLISHED. RELEASED FOR PUBLICATION
 © COPYRIGHT 2010 BY TYCO ELECTRONICS CORPORATION. ALL RIGHTS RESERVED.

LOC	DIST	REVISIONS					
DW		P	LTR	DESCRIPTION	DATE	DWN	APVD
				SEE SHEET 1.			



8.5KG	6.1KG	180	8	1440	6-1734324-5~9
					3-1734324-X
					1-1734324-X
GROSS WEIGHT	NET WEIGHT	PCS /REEL	REEL /BOX	PCS /BOX	PART NUMBER

DIMENSIONS:		TOLERANCES UNLESS OTHERWISE SPECIFIED:		TE Connectivity	
mm				NAME	
		0 PLC	±	PRODUCT SPEC	MODULAR JACK CONNECTOR
		1 PLC	±0.3	APPLICATION SPEC	RJ45 WITH LED, 8P8C, SHIELDED
		2 PLC	±0.2	WEIGHT	TAB DOWN, DIP TYPE, H=11.3mm
		3 PLC	±0.15	CUSTOMER DRAWING	
		4 PLC	±	SIZE	A3
		ANGLES	± 3'	CAGE CODE	00779
MATERIAL	FINISH			DRAWING NO	C=1734324
				RESTRICTED TO	
				SCALE	7 OF 7
				SHEET	REV A6

单击下面可查看定价，库存，交付和生命周期等信息

[>>TE Connectivity\(泰科\)](#)