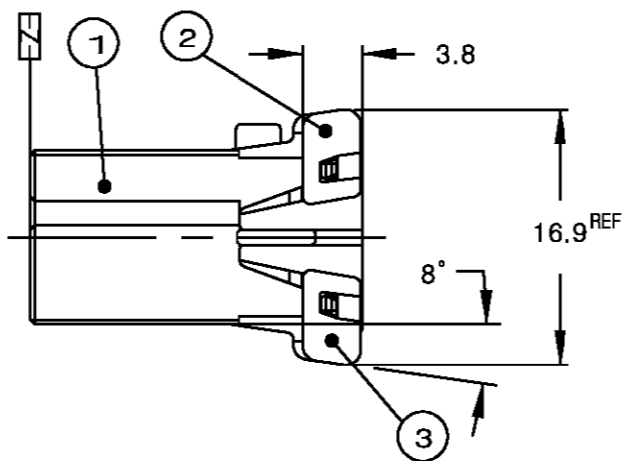
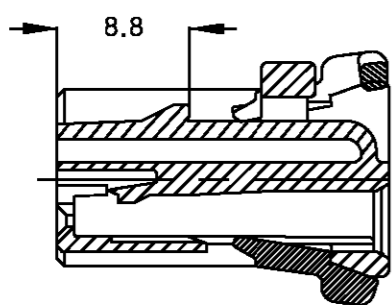
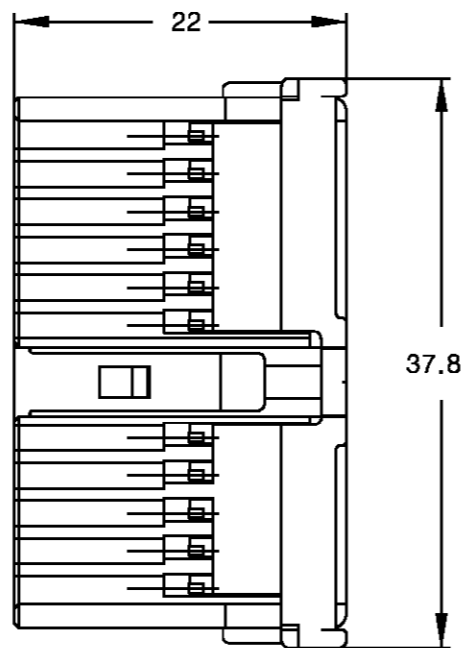
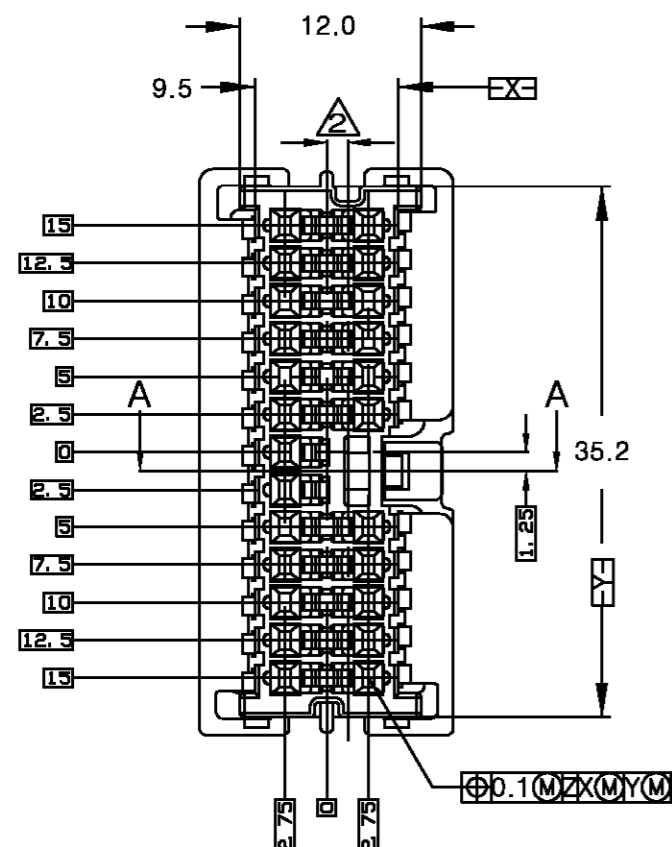
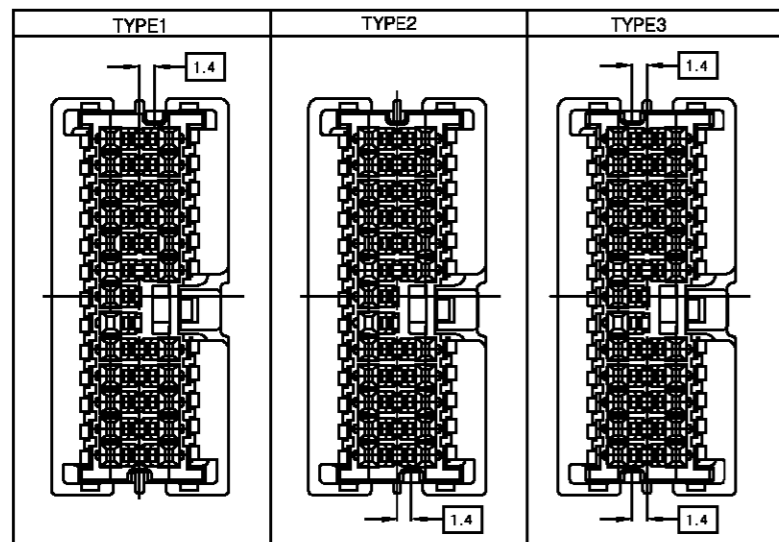


LOC	DIST	REVISIONS					
		P	LTR	DESCRIPTION	DATE	DWN	APVD
DS			0	RELEASED(FC00-0039-03)	27/MAR/'03	HS	CS
			A	REVISED(FC00-0101-03)	19/JUL/'03	HS	CS
			B	REVISED(ECR-05-009378)	22/AUG/'05	IS	JK

- NOTES:
1. PLATE MUST BE COMPLETELY PRE-ASSEMBLED
 - △ KEY CODE : REFER TO THE TABLE
 3. APPLICABLE CONTACT P/N: 316836-1, 316838-1
 4. THE MATING P/N ; 936503
- 주 기
1. PLATE는 그림과 같이 1차 locking 상태로 공급되어짐.
 - △ KEY CODE : TABLE 참조
 3. 적용 TML P/N: 316836-1, 316838-1
 - 4.상대 하우징 P/N ; 936503



SECTION A-A
<KEY CODE>



ITEM NO	PARTS NO	MATERIAL	NAME	FINISH/COLOR	KEY CODE TYPE	ASS'Y P/N								
						936475-8	936475-7	936475-6	936475-5	936475-4	936475-3	936475-2	936475-1	
③	936495-2		24Pos.DBL LOCK PLATE(A)	BLACK	-	1	1	1	1	1	1	1	1	1
②	936496-2		24Pos.DBL LOCK PLATE(B)	BLACK	-	1	1	1	1	1	1	1	1	1
①	936476-8			BLUE	1	1	-	-	-	-	-	-	-	-
	936476-7			GREEN	1	-	1	-	-	-	-	-	-	-
	936476-6			RED	1	-	-	1	-	-	-	-	-	-
	936476-5			YELLOW	1	-	-	-	1	-	-	-	-	-
	936476-4			BROWN	2 △	-	-	-	-	1	-	-	-	-
	936476-3			GRAY	3 △	-	-	-	-	-	1	-	-	-
	936476-2			BLACK	1	-	-	-	-	-	-	-	1	-
	936476-1	PBT	24Pos.PLUG HSG	NATURAL	1	-	-	-	-	-	-	-	-	1

THIS DRAWING IS A CONTROLLED DOCUMENT FOR TYCO ELECTRONICS CORPORATION IT IS SUBJECT TO CHANGE AND THE CONTROLLING ENGINEERING ORGANIZATION SHOULD BE CONTACTED FOR THE LATEST REVISION.

DIMENSIONS: MM	TOLERANCES UNLESS OTHERWISE SPECIFIED:
	0 <XX<10 ± 0.2
	10 <XX<30 ± 0.25
	30 <XX ± 0.3
	ANGLES ± 3°

MATERIAL SEE NOTE FINISH WEIGHT

DWN : IS WOO
CHK : BM JANG
APVD : JK SONG
PRODUCT SPEC
APPLICATION SPEC

tyco AMP KOREA. kyungsan, korea
Electronics

NAME
24Pos.PLUG HOUSING ASS'Y 040III MLC CONN.

SIZE: A3 CAGE CODE: 00779 DRAWING NO: 936475 RESTRICTED TO: C

SCALE: 2/1 SHEET: 1 OF 1 REV: B

单击下面可查看定价，库存，交付和生命周期等信息

[>>TE Connectivity\(泰科\)](#)