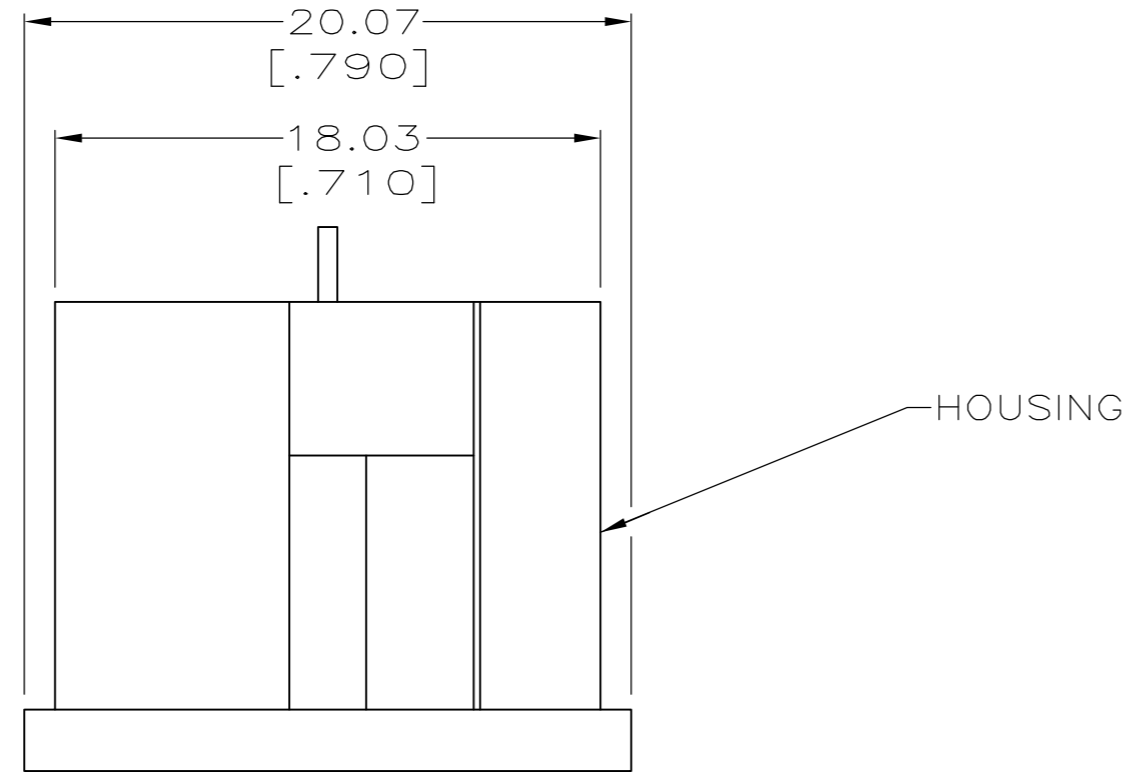
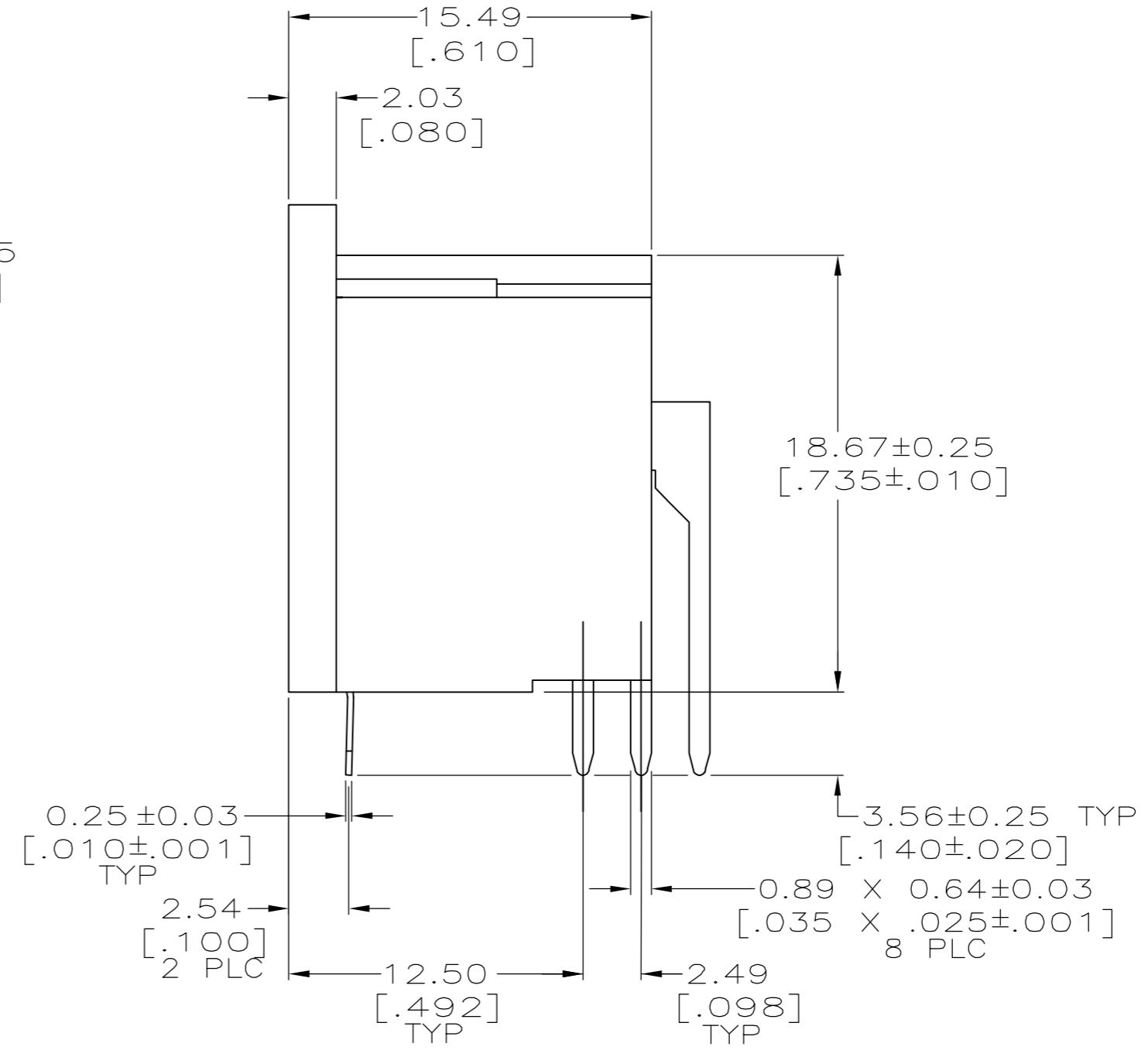
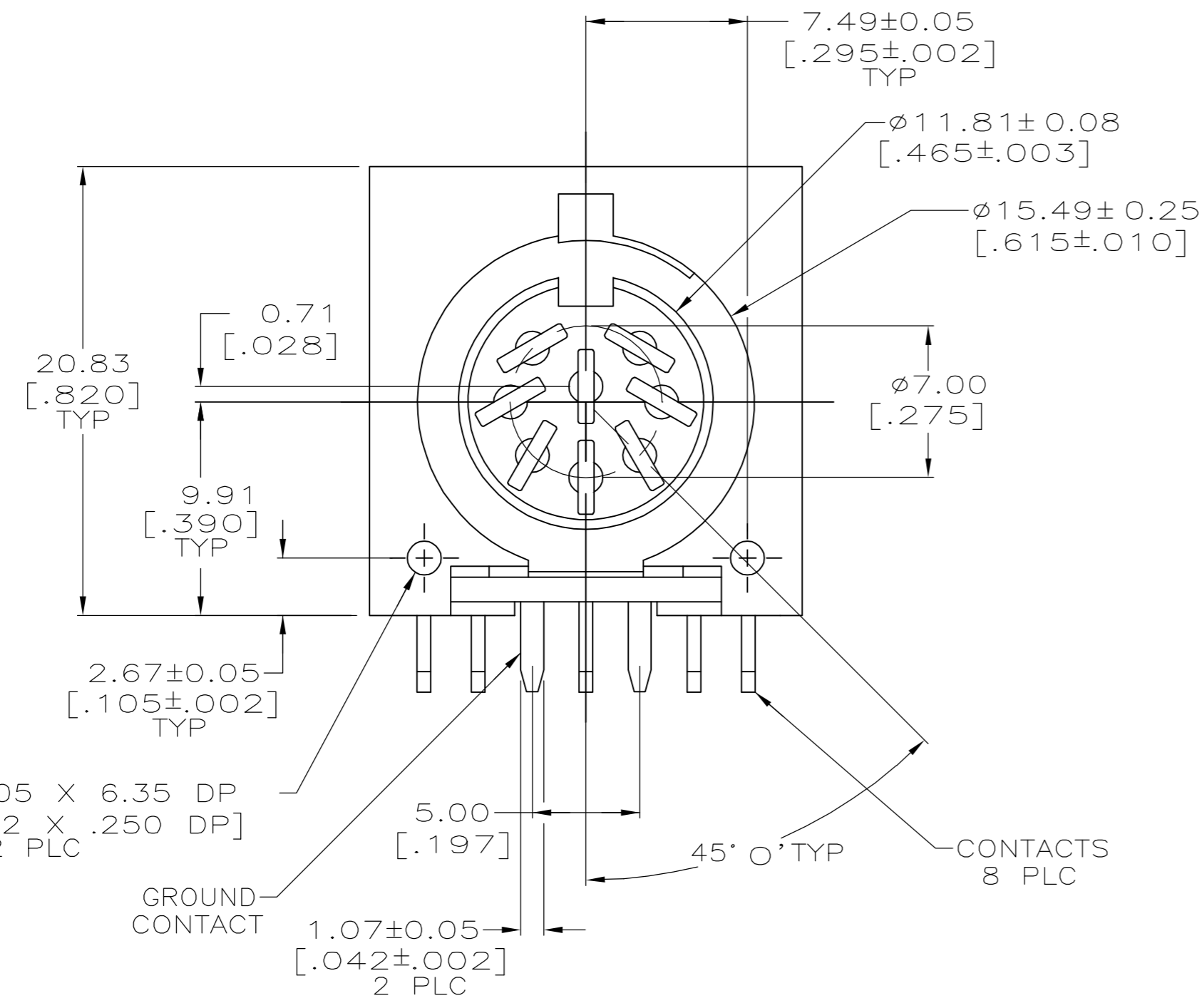


THIS DRAWING IS UNPUBLISHED. RELEASED FOR PUBLICATION
 © COPYRIGHT BY TYCO ELECTRONICS CORPORATION. ALL RIGHTS RESERVED.

| LOC | | DIST | | REVISIONS | | | |
|-----|-----|-------------|--|---------------------------|---------|---------|--|
| P | LTR | DESCRIPTION | | DATE | DWN | APVD | |
| GP | 00 | 01 | | REVISED PER ECO-07-008008 | 10APR07 | JDP/CWR | |



- 1 HOUSING: NYLON, UL 94V-0 RATED, BLACK.
- 2 CONTACTS & GROUND CONTACT: 2.54μm [.000100] MIN TIN OVER 1.27μm [.000050] MIN NICKEL.
- 3 ACCEPTS #2 SELF-TAPPING SCREW, .250 LONG REF.
- 4 CONTACTS & GROUND CONTACT: BRASS.



5211511-1
 PART NUMBER

| | | | | |
|--|--|--------------------------------|---|----------------------|
| THIS DRAWING IS A CONTROLLED DOCUMENT. | | DWN L. VARELA - DOCK5 11-11-04 | Tyco Electronics Corporation Harrisburg, PA 17105-3608 | |
| DIMENSIONS: mm [INCHES] | | CHK C. ROHDE 11-11-04 | | |
| TOLERANCES UNLESS OTHERWISE SPECIFIED: | | APVD M. WALMSLEY 11-11-04 | NAME RECEPTACLE ASSY, RIGHT ANGLE, 8 POSITION, CIRCULAR DIN | |
| 0 PLC ± - | | PRODUCT SPEC 108-10047 | SIZE A2 | |
| 1 PLC ± - | | APPLICATION SPEC 114-40025 | CAGE CODE 00779 | DRAWING NO C=5211511 |
| 2 PLC ± 0.13[.005] | | MATERIAL | RESTRICTED TO | |
| 3 PLC ± - | | FINISH | SCALE 4:1 | SHEET 1 of 1 |
| 4 PLC ± - | | | REV 01 | |
| ANGLES ± 0° 30' | | | | |

单击下面可查看定价，库存，交付和生命周期等信息

[>>TE Connectivity\(泰科\)](#)