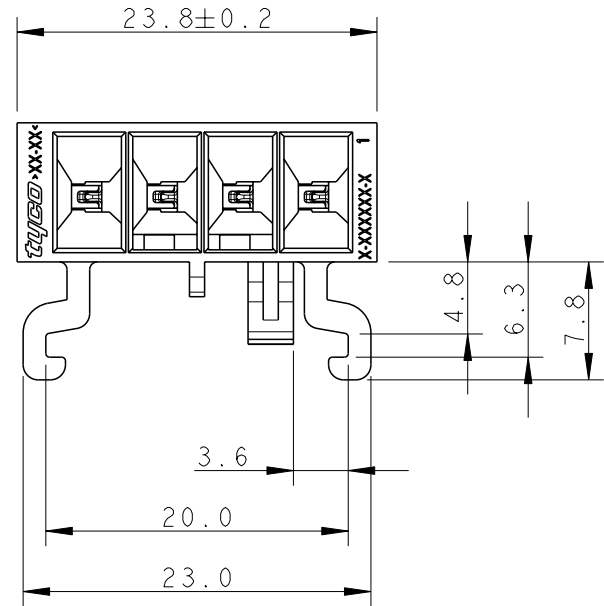
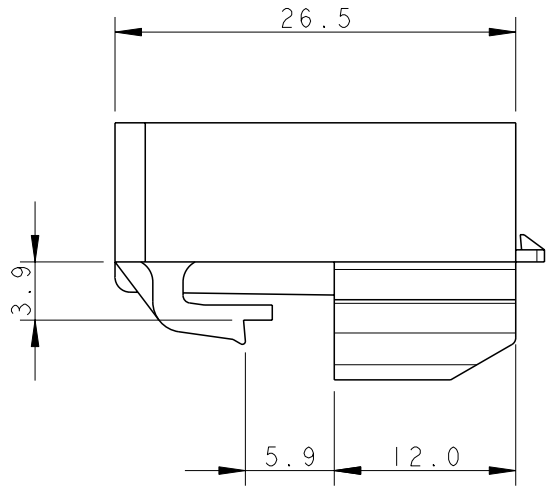
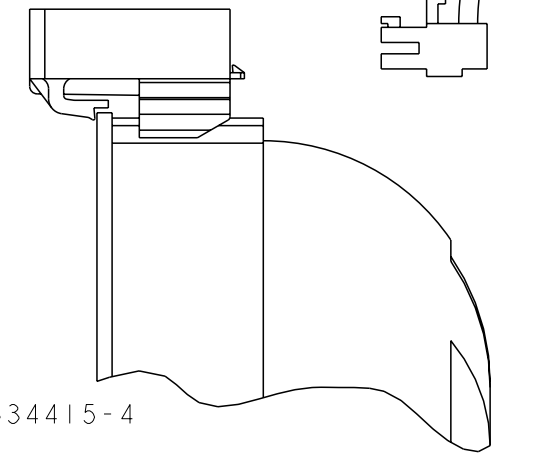
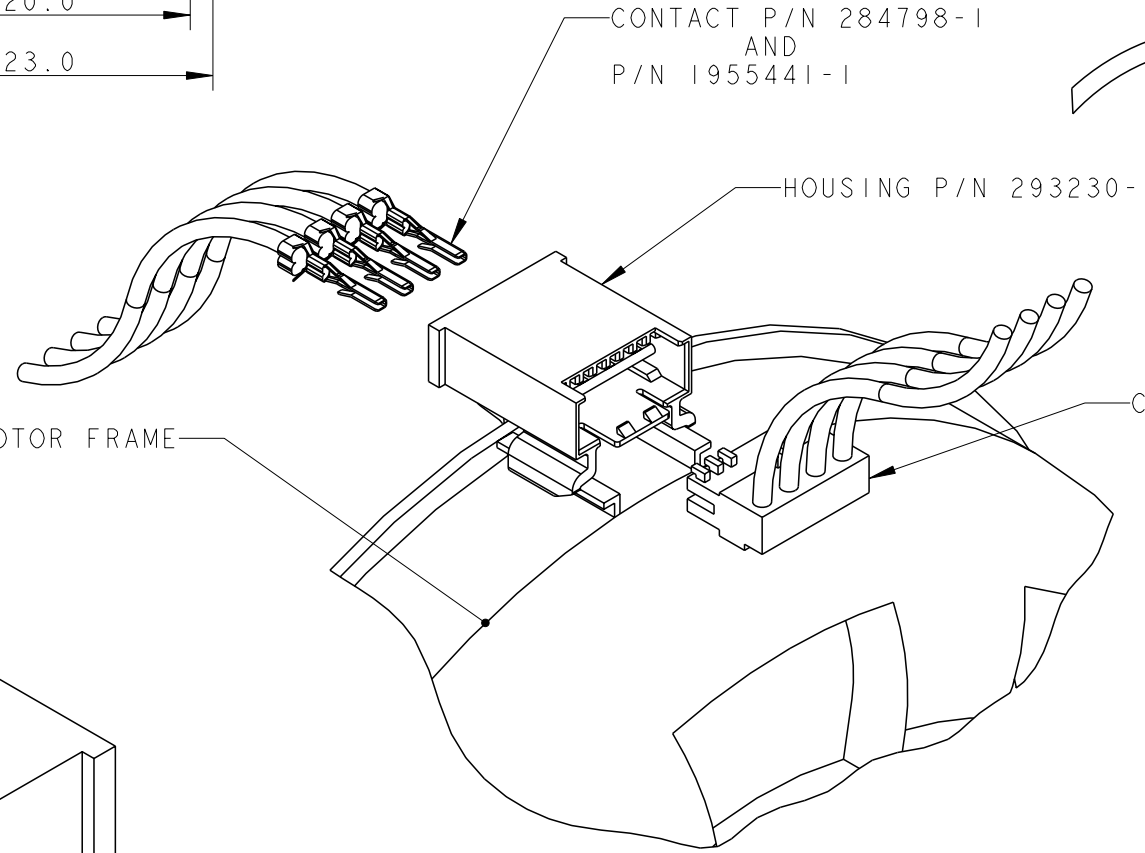
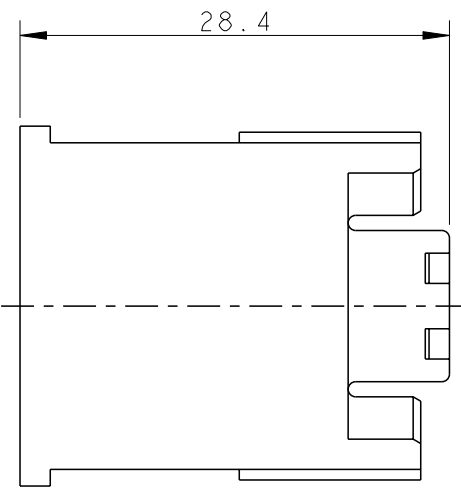
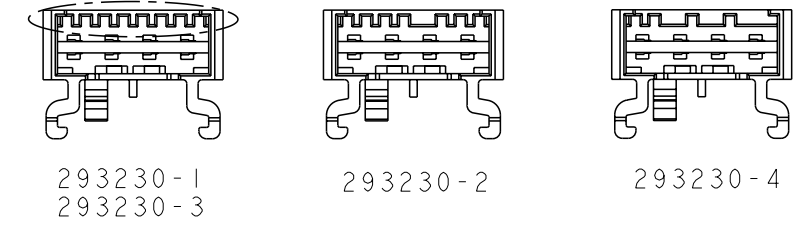


THIS DRAWING IS UNPUBLISHED. RELEASED FOR PUBLICATION 2006
 © COPYRIGHT 2006 BY TYCO ELECTRONICS CORPORATION. ALL RIGHTS RESERVED.

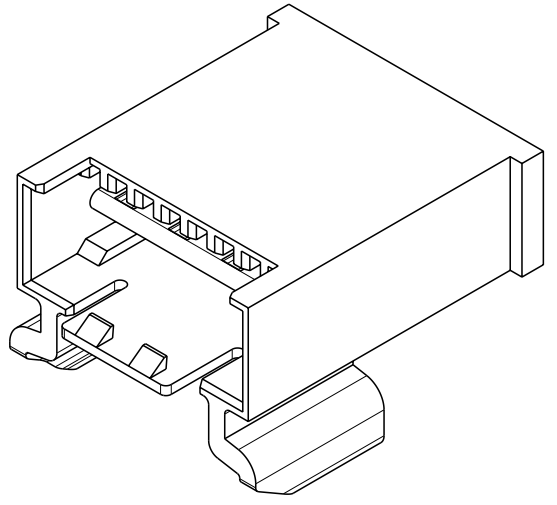
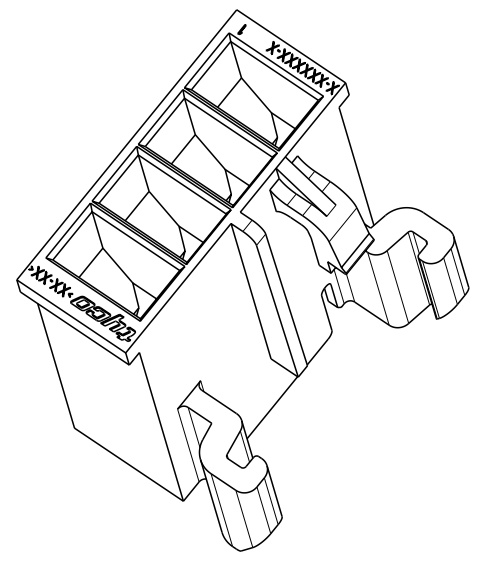
LOC	DIST	REVISIONS			
P	LTR	DESCRIPTION	DATE	DWN	APVD
1		A5	ECO-20-011344	12AUG2020	WW FL



KEYING CONFIGURATION



- SUITABLE CONTACTS P/N 284798-1 And 195441-1
- CONNECTOR COUNTERPART 1534415-4
- PRELIMINARY PN, NOT READY FOR PRODUCTION
- THE PRODUCT CORRESPONDS TO UL94-V2, GWEPT 750°C NO FLAME ACCORDING TO IEC-60335-1
- THE PRODUCT CORRESPONDS TO UL94-V0, GWEPT 750°C NO FLAME ACCORDING TO IEC-60335-1



PA	5	293230-4
PA	5	293230-3
PA	4	293230-2
PA	4	293230-1
MATERIAL		P/N

P/N 293230-1 AS SHOWN

THE PRESENTED PRODUCT / DESIGN WILL BE RELEASED FOR THE MANUFACTURING OF THE NECESSARY PRODUCTION TOOLS HEREBY. FURTHER CHANGES HAS TO BE PAYED BY CUSTOMER

DATE, SIGN OF THE CUSTOMER

THIS DRAWING IS A CONTROLLED DOCUMENT FOR TYCO ELECTRONICS CORPORATION IT IS SUBJECT TO CHANGE AND THE CONTROLLING ENGINEERING ORGANIZATION SHOULD BE CONTACTED FOR THE LATEST REVISION.

DIMENSIONS:	TOLERANCES UNLESS OTHERWISE SPECIFIED:
mm	
	0 PLC ±
	1 PLC ±0.2
	2 PLC ±
	3 PLC ±
	4 PLC ±
	ANGLES ±
MATERIAL	FINISH
see table	

DWN	14JUN2006	Tyco Electronics Amp Italia S.p.A. 10093 Collegno TO	
CHK	G. Turco 14JUN2006		
APVD		NAME	
PRODUCT SPEC		DUOPLUG POWER MOTOR MOUNT 4 POS. RAST 2.5	
APPLICATION SPEC		SIZE	RESTRICTED TO
WEIGHT		A300779	C=293230
CUSTOMER DRAWING	SCALE	2:1	SHEET 1 OF 1 REV A5

单击下面可查看定价，库存，交付和生命周期等信息

[>>TE Connectivity\(泰科\)](#)