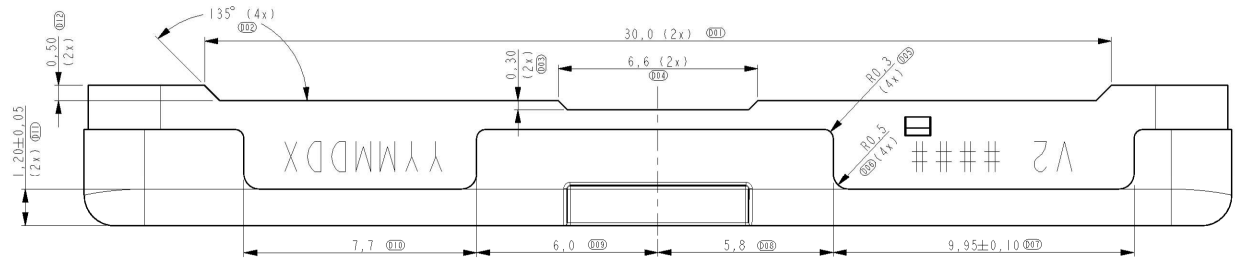
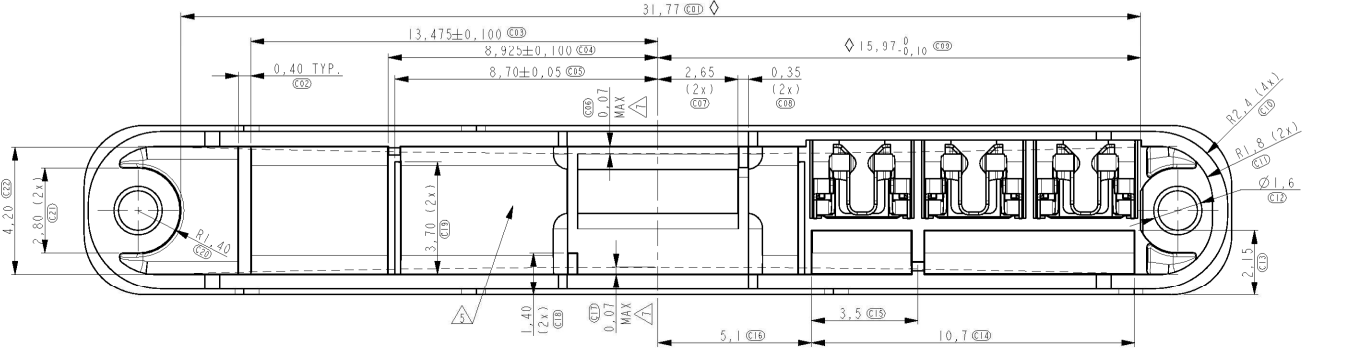
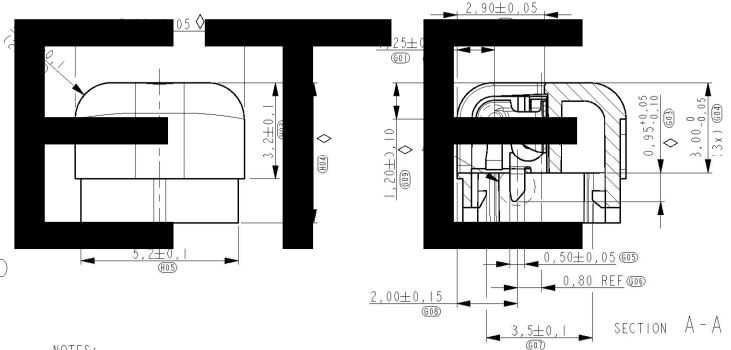
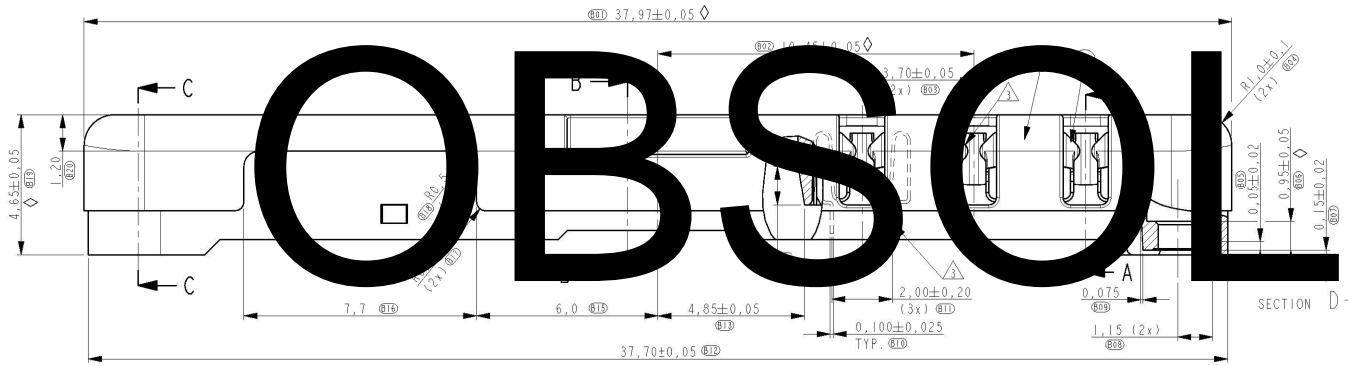
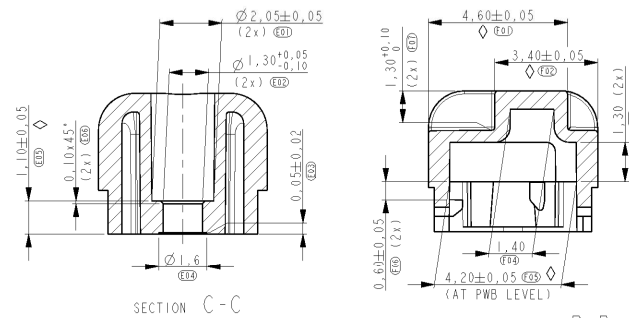
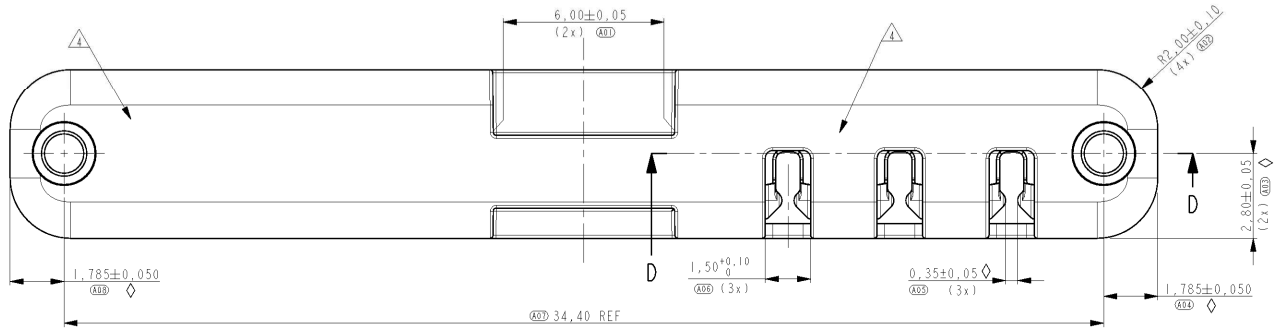


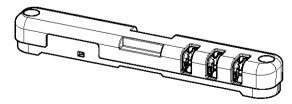
THIS DRAWING IS UNPUBLISHED. RELEASED FOR PUBLICATION
 (C) COPYRIGHT - BY - ALL RIGHTS RESERVED.

LOC	DIST	REV	DESCRIPTION	DATE	DWN	APVD
H	-	1	FIRST ISSUE	21JUL2011	PW	DH
		2	WHITE DIAMONDS ADDED	26JUL2011	PW	DH
		3	CHANGE DIM A04, A07, A08, B01, V2	24OCT2011	PW	DH
		A	ECR-12-009305	25MAY2012	PW	DH



NOTES:

- PART NUMBER 2173225-1.
- DRAWING REPRESENTS PART VERSION "V2".
- PLATING:
 - 1.2µm MIN. NICKEL ALL OVER
 - 0.8µm MIN. GOLD ON CONTACT POINTS
 - 3.0µm MIN. TIN ON SOLDER AREA
- SURFACE TEXTURE Ra 1.9µm (TOOL TEXTURE SPARK ERODED ACCORDING TO VDI 3400-24/27) COLOUR: BLACK (PANTONE 302X).
- MARKING: MOLD CAVITY IDENTIFICATION.
- MARKING: VERSION, PROCESS ID (###), PRODUCTION DATE (YYMMDDX).
- MARKING NOT IN COSMETIC AREA.
- MAXIMUM WARPAGE, INWARD ONLY.



THIS DRAWING IS A CONTROLLED DOCUMENT.

DIMENSIONS:	TOLERANCES, UNLESS OTHERWISE SPECIFIED:
mm	
0 PLC	±0.20
1 PLC	±0.10
2 PLC	±0.05
3 PLC	±
4 PLC	±
ANGLES	±
FINISH	

2 CONTACT	COPPER ALLOY	GOLD PLATED	
1 HOUSING	PA 6T, 35% GF		
ITEM NO.	DESCRIPTION	MATERIAL	FINISH
21-JUL-11			
21-JUL-11			
21-JUL-11			
DWN P. Willems		TE Connectivity	
CHW M. Gosselink		RECEPTACLE CONNECTOR	
APVD D. Halberstadt		3 POSITION, BL-SJ-1430	
PRODUCT SPEC 108-19276		BATTERY BLOCK	
APPLICATION SPEC		SIZE	RESTRICTED TO
WEIGHT 520 mg		A2 00779	
CUSTOMER DRAWING		SCALE 8:1	SHEET OF REV A1

单击下面可查看定价，库存，交付和生命周期等信息

[>>TE Connectivity\(泰科\)](#)