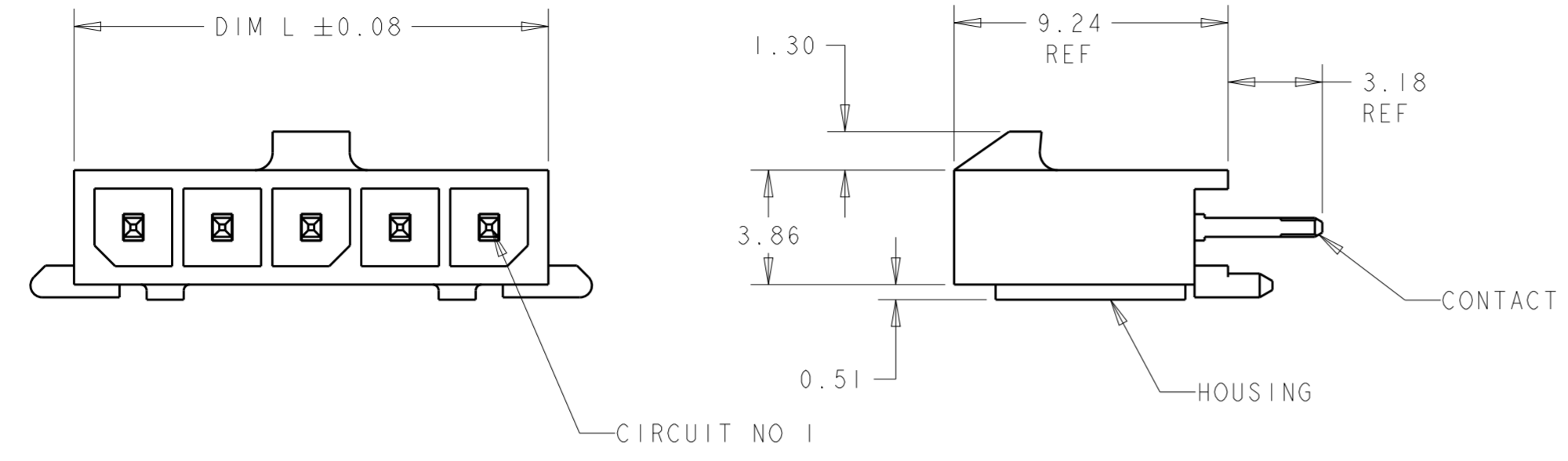
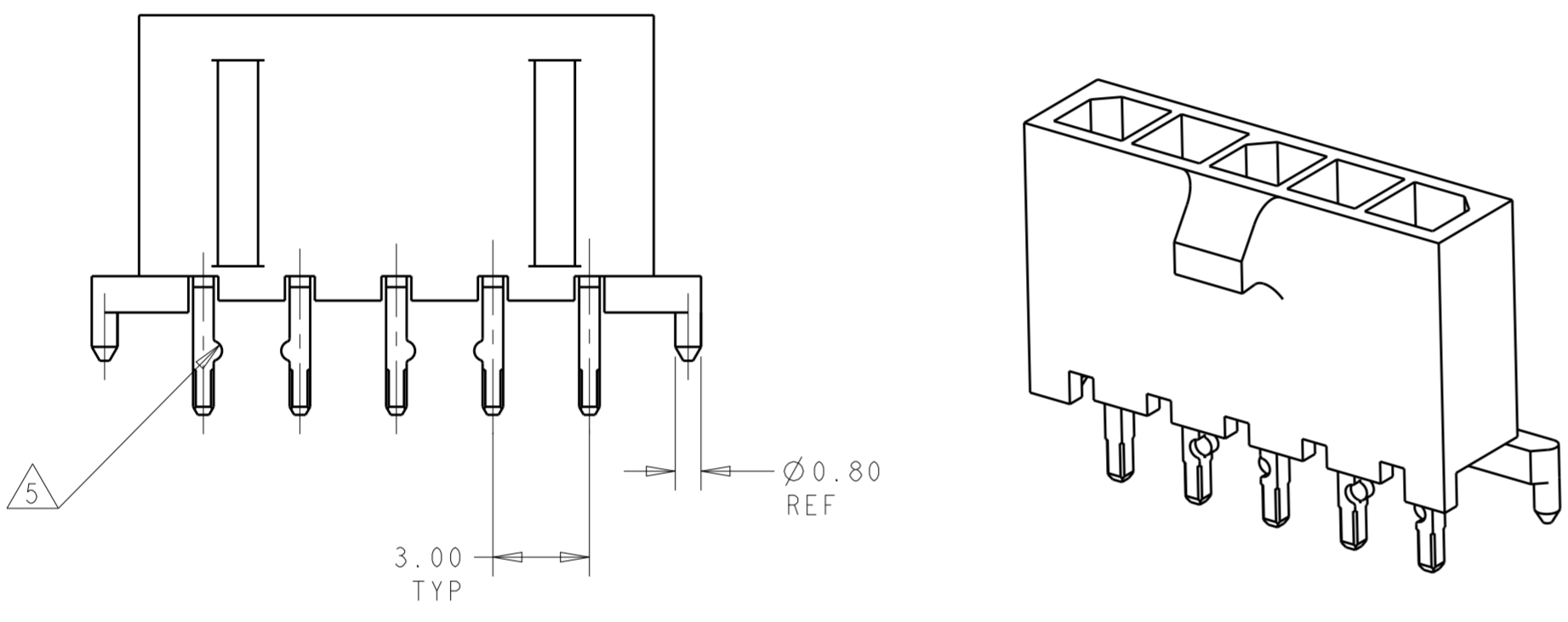


THIS DRAWING IS UNPUBLISHED. RELEASED FOR PUBLICATION 20
 © COPYRIGHT 20 BY - ALL RIGHTS RESERVED.

REVISIONS				
P	LTR	DESCRIPTION	DATE	APVD
B2		REVISED PER ECR-16-011494	20JUN2017	NK CX
B3		ECO-19-006934	13MAY2019	AP WS

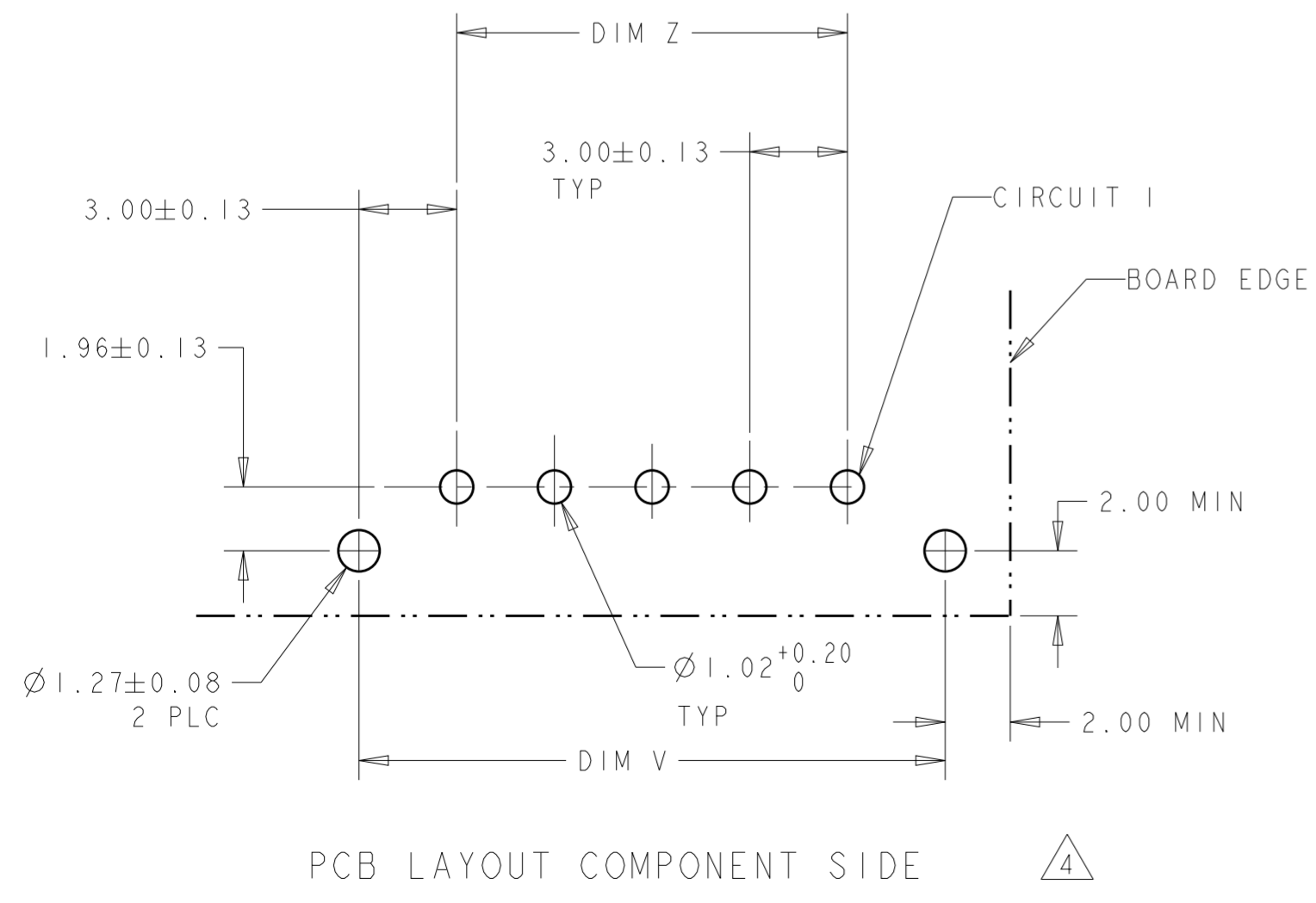


- 1 MATERIAL: CONTACTS - BRASS
HOUSING - UL 94V-0 RATED HIGH TEMP NYLON, COLOR BLACK.
- 2 PLATING: CONTACTS - 0.38µm MINIMUM GOLD ON MATING END, 2.54µm MINIMUM TIN LEAD ON SOLDER TAILS, BOTH OVER 1.27µm MINIMUM NICKEL.
- 4 RECOMMENDED PC BOARD THICKNESS OF 1.57.
- 5 RETENTION BUMP FEATURES FACE EACH OTHER, TYPICAL ALL CONFIGURATIONS.
- 6 PLATING: CONTACTS - 0.38µm MINIMUM GOLD ON MATING END, 2.54µm MINIMUM MATTE TIN ON SOLDER TAILS, BOTH OVER 1.27µm MINIMUM NICKEL.



6	1, 2, 11, 12	33.00	39.14	37.00	12	3-1445084-2
6	1, 2, 9, 10	30.00	36.14	34.00	11	3-1445084-1
6	1, 2, 9, 10	27.00	33.14	31.00	10	3-1445084-0
6	1, 2, 7, 8	24.00	30.14	28.00	9	2-1445084-9
6	1, 2, 7, 8	21.00	27.14	25.00	8	2-1445084-8
6	1, 2, 5, 6	18.00	24.14	22.00	7	2-1445084-7
6	1, 2, 5, 6	15.00	21.14	19.00	6	2-1445084-6
6	1, 2, 3, 4	12.00	18.14	16.00	5	2-1445084-5
6	1, 2, 3, 4	9.00	15.14	13.00	4	2-1445084-4
6	1, 2	6.00	12.14	10.00	3	2-1445084-3
6	1, 2	3.00	9.14	7.00	2	2-1445084-2

SUPERSEDED BY 3-1445084-2
 SUPERSEDED BY 3-1445084-1
 SUPERSEDED BY 3-1445084-0
 SUPERSEDED BY 2-1445084-9
 SUPERSEDED BY 2-1445084-8
 SUPERSEDED BY 2-1445084-7
 SUPERSEDED BY 2-1445084-6
 SUPERSEDED BY 2-1445084-5
 SUPERSEDED BY 2-1445084-4
 SUPERSEDED BY 2-1445084-3
 SUPERSEDED BY 2-1445084-2



2	1, 2, 11, 12	33.00	39.14	37.00	12	1-1445084-2
2	1, 2, 9, 10	30.00	36.14	34.00	11	1-1445084-1
2	1, 2, 9, 10	27.00	33.14	31.00	10	1-1445084-0
2	1, 2, 7, 8	24.00	30.14	28.00	9	1-1445084-9
2	1, 2, 7, 8	21.00	27.14	25.00	8	1-1445084-8
2	1, 2, 5, 6	18.00	24.14	22.00	7	1-1445084-7
2	1, 2, 5, 6	15.00	21.14	19.00	6	1-1445084-6
2	1, 2, 3, 4	12.00	18.14	16.00	5	1-1445084-5
2	1, 2, 3, 4	9.00	15.14	13.00	4	1-1445084-4
2	1, 2	6.00	12.14	10.00	3	1-1445084-3
2	1, 2	3.00	9.14	7.00	2	1-1445084-2

FINISH		CON POS W/RET BUMP 5	DIM Z	DIM V	DIM L	NO. OF POSN	PART NUMBER
THIS DRAWING IS A CONTROLLED DOCUMENT.							
DIMENSIONS: mm		TOLERANCES UNLESS OTHERWISE SPECIFIED:		DWN J. ROOT 10OCT2000		CHK K. WHITAKER 17-APR-2001	
0 PLC ±		1 PLC ±		APVD C. JONES 17-APR-2001		NAME	
2 PLC ±0.20		3 PLC ±		PRODUCT SPEC		VERTICAL THRU HOLE HEADER ASSY, 0.38 MIC GOLD CONTACTS W/PCB PLZNTM	
4 PLC ±		ANGLES ±		APPLICATION SPEC		FEATURE, SGL ROW, MICRO MATE-N-LOK™	
MATERIAL		FINISH		114-13000		SIZE CAGE CODE DRAWING NO	
SEE TABLE		SEE TABLE		WEIGHT		A200779 C-1445084	
CUSTOMER DRAWING				SCALE 5:1		SHEET 1 OF 1	
						REV B3	

单击下面可查看定价，库存，交付和生命周期等信息

[>>TE Connectivity\(泰科\)](#)