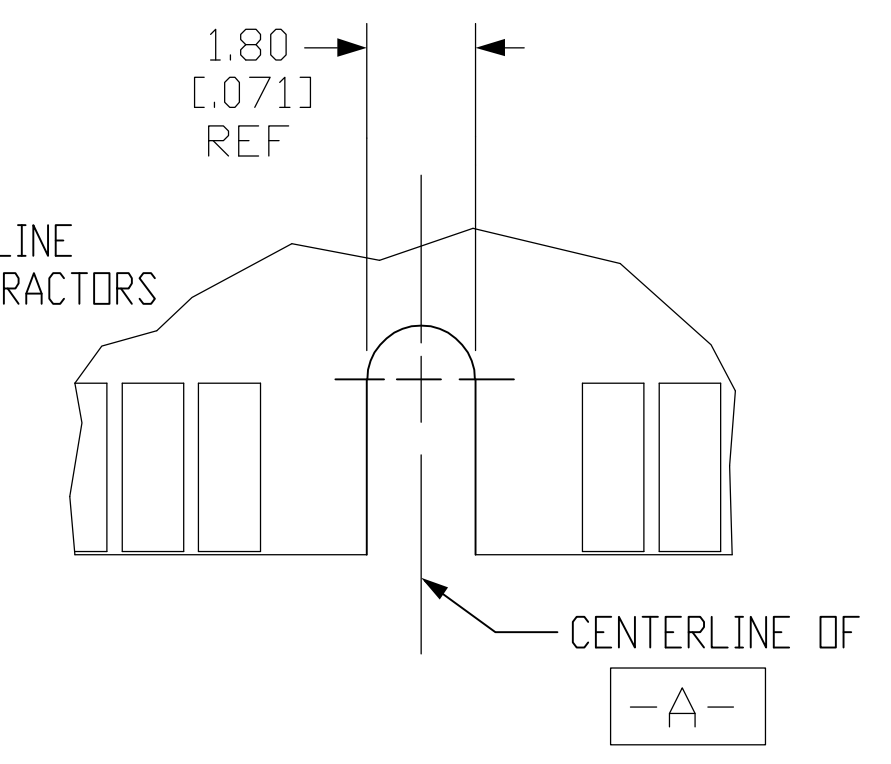
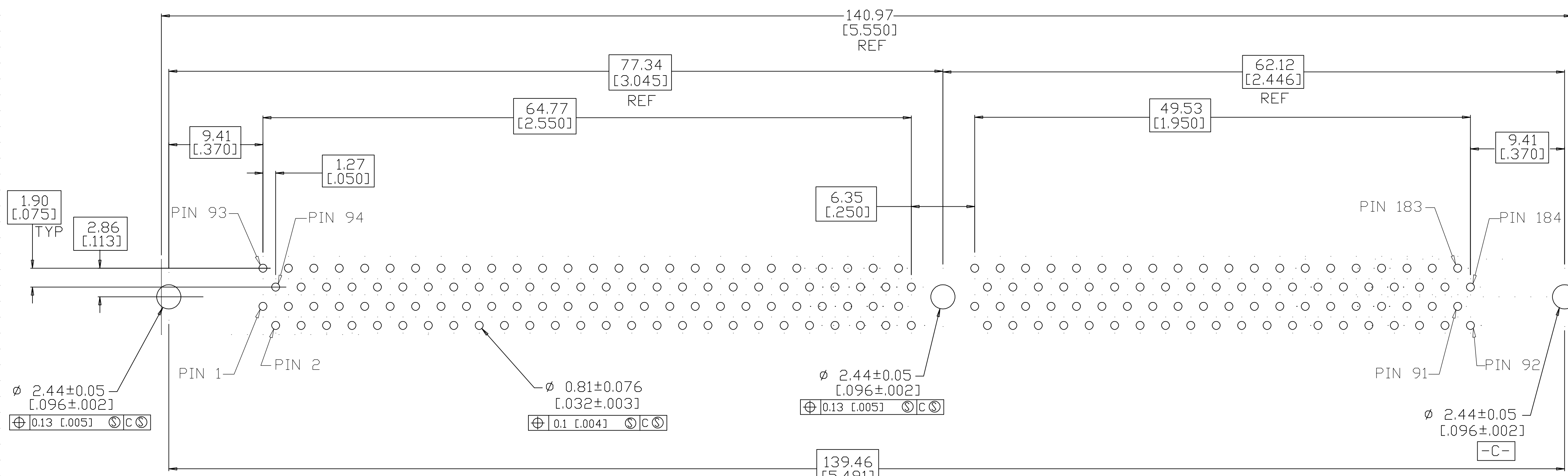


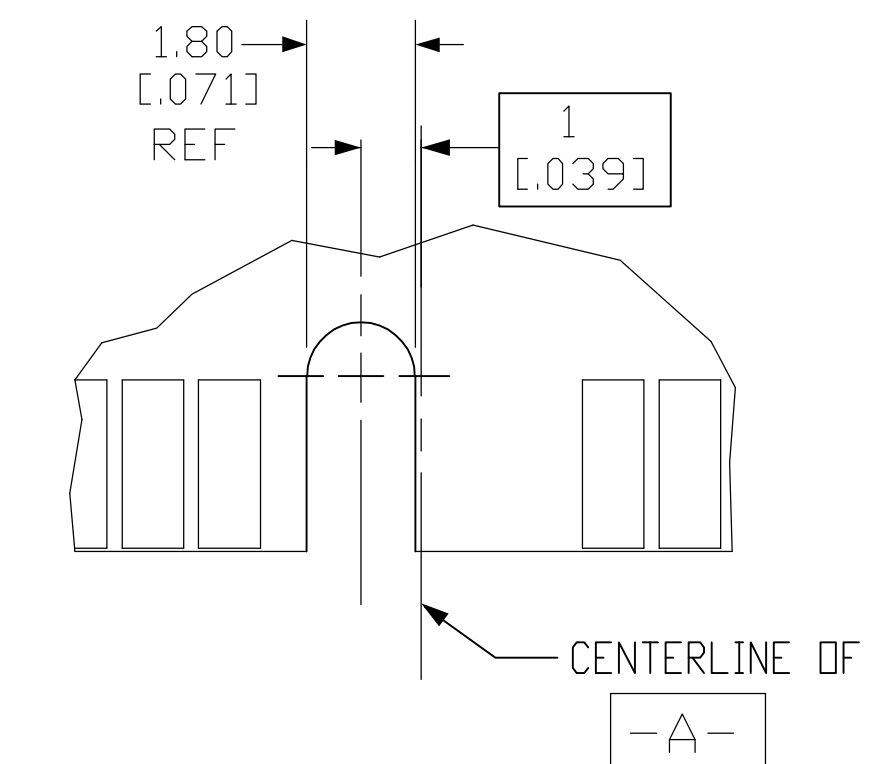
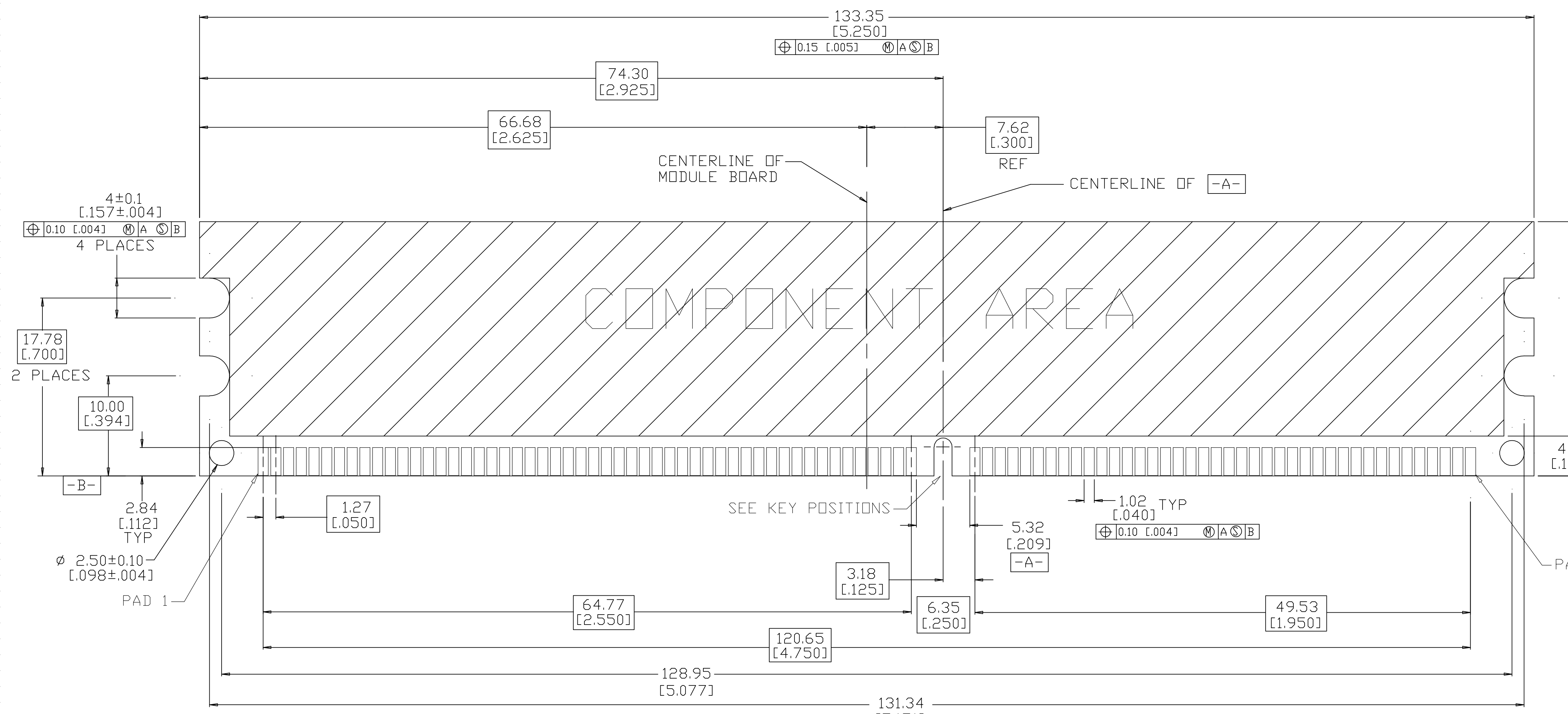
MATERIAL
 HOUSING: GLASS FILLED HIGH TEMPERATURE NYLON, COLOR: BLACK
 CONTACT: PHOS. BRONZE, C51100, TEMPER H06.
 EXTRACTOR MATERIAL: GLASS FILLED HIGH TEMPERATURE NYLON, COLOR: NATURAL, OFF-WHITE.
 RETENTION POST: STAINLESS STEEL, AMP 100-309.

FINISH
 CONTACT:
 NICKEL PLATE ALL OVER 0.00127-0.0019 [0.000050-.000075] THICK
 PER AMP SPEC 112-25-2.
 GOLD PLATE IN INTERFACE AREA 0.00076 [0.000030] MIN THICK
 PER AMP SPEC 112-162-5.
 MATTE TIN PLATE IN SOLDER TAIL AREA .00381-.00635 [0.000150-.000250] THICK
 PER AMP SPEC 112-65-1.

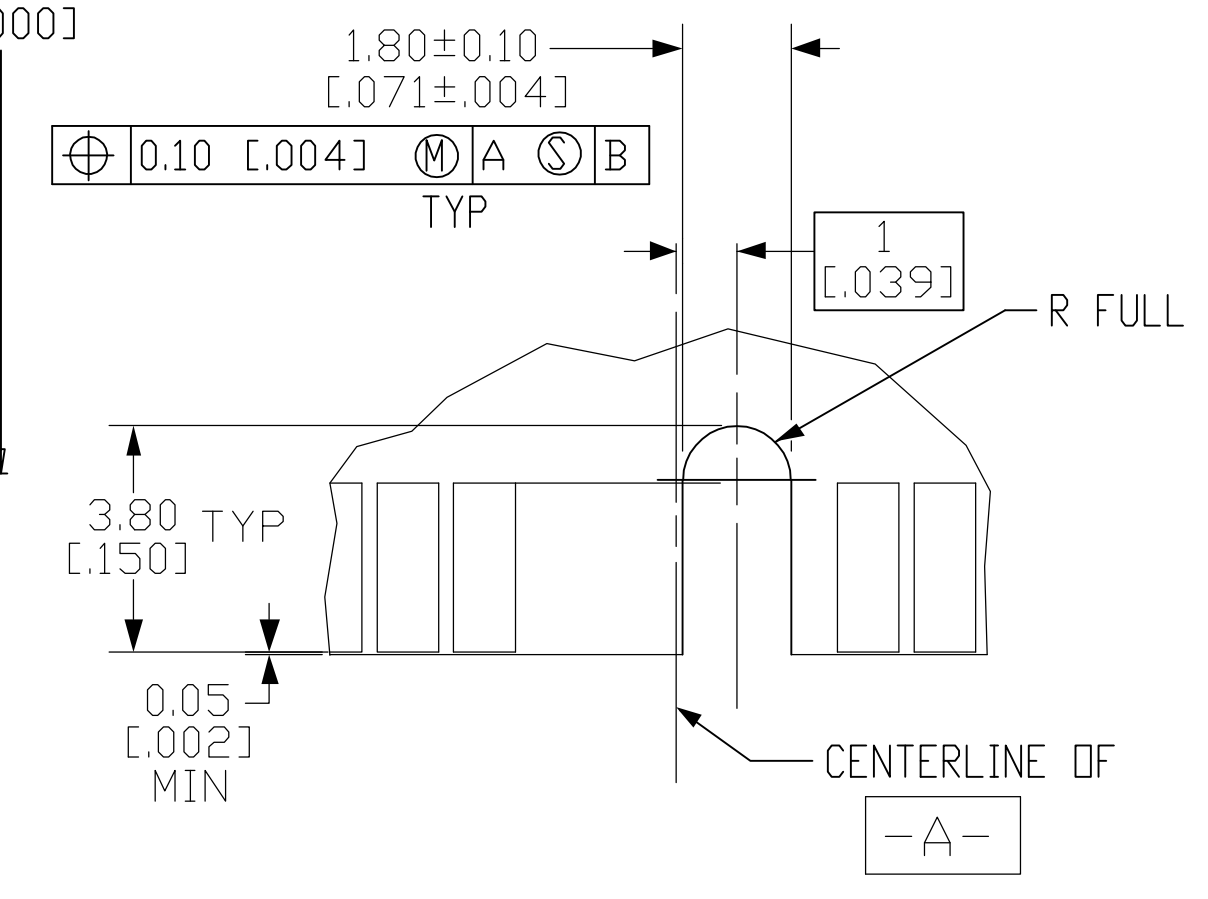
2.79 [0.110]	DETAIL B	184 POSN. DIMM2P, 2.5V, POST-PLATED CONTACTS	5390486-1
SOLDERTAIL LENGTH DIM "A"	KEY POSITION	DESCRIPTION	PART NUMBER
THIS DRAWING IS A CONTROLLED DOCUMENT.			
DIMENSIONS: mm [INCHES]		TOLERANCES UNLESS OTHERWISE SPECIFIED:	
0 PLC ± -		1 PLC ± -	
1 PLC ± -		2 PLC ± 0.13 [0.005]	
2 PLC ± -		3 PLC ± -	
3 PLC ± -		4 PLC ± -	
4 PLC ± -		ANGLES ± -	
MATERIAL 1		FINISH 2	
DWN: R. RICHARDSON 15AUG05		Tyco Electronics Corporation	
DCK: M. YEOMANS 15AUG05		Harrisburg, Pa 17105-3608	
APVD: M. YEOMANS 15AUG05		NAME: SOCKET ASSEMBLY, DIMM2P	
PRODUCT SPEC: 108-1753		184 PIN, DDR,	
APPLICATION SPEC: 114-1115		30 MICROINCH GOLD PLATED CONTACTS	
WEIGHT: -		SIZE: A1	
CUSTOMER DRAWING		DRAWING NO: 00779	
SCALE: 1:1		SHEET: 1 OF 2	
REV: A		PART NUMBER: 5390486-1	



DETAIL A
 SCALE 8:1



DETAIL B
 SCALE 8:1



DETAIL C
 SCALE 8:1

KEY POSITIONS

RECOMMENDED MODULE LAYOUT
 SEE JEDEC SPEC MO-206 FOR COMPLETE MODULE DETAILS
 1.27±0.10 [0.050±0.004] THICK ACROSS CONTACT PADS

THIS DRAWING IS A CONTROLLED DOCUMENT.		DWN R. RICHARDSON 15AUG05	15AUG05	tyco Electronics	Tyco Electronics Corporation Harrisburg, Pa 17105-3608
DIMENSIONS: mm [INCHES]		CHK M. YEOMANS 15AUG05	15AUG05	NAME M. YEOMANS	PRODUCT SPEC 108-1753
TOLERANCES UNLESS OTHERWISE SPECIFIED:		APVD M. YEOMANS	15AUG05	APPLICATION SPEC 114-1115	SIZE A1
0 PLC ±	1 PLC ±	2 PLC ±	3 PLC ±	4 PLC ±	ANGLES ±
MATERIAL 1		FINISH 2		WEIGHT -	CAGE CODE 00779
CUSTOMER DRAWING		DRAWING NO 5390486		RESTRICTED TO -	
SCALE 1:1		SHEET 2 OF 2		REV A	

单击下面可查看定价，库存，交付和生命周期等信息

[>>TE Connectivity\(泰科\)](#)