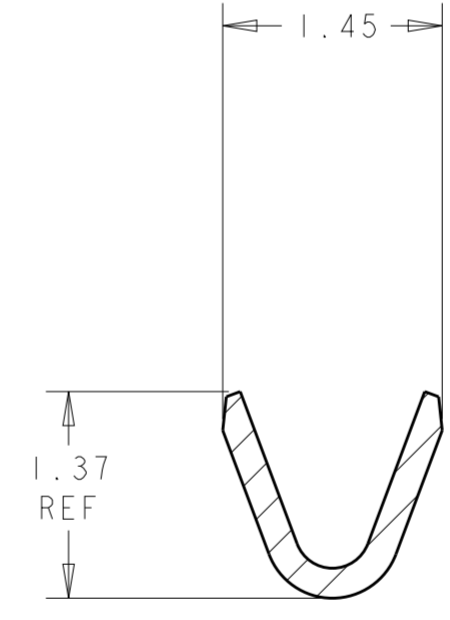
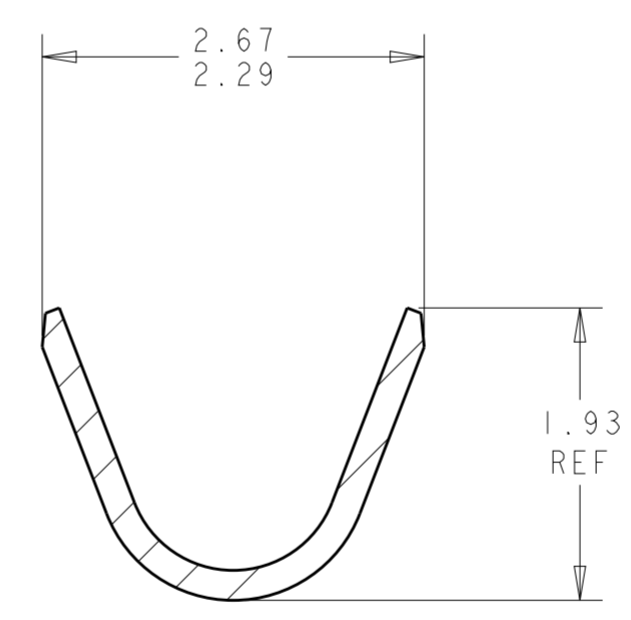
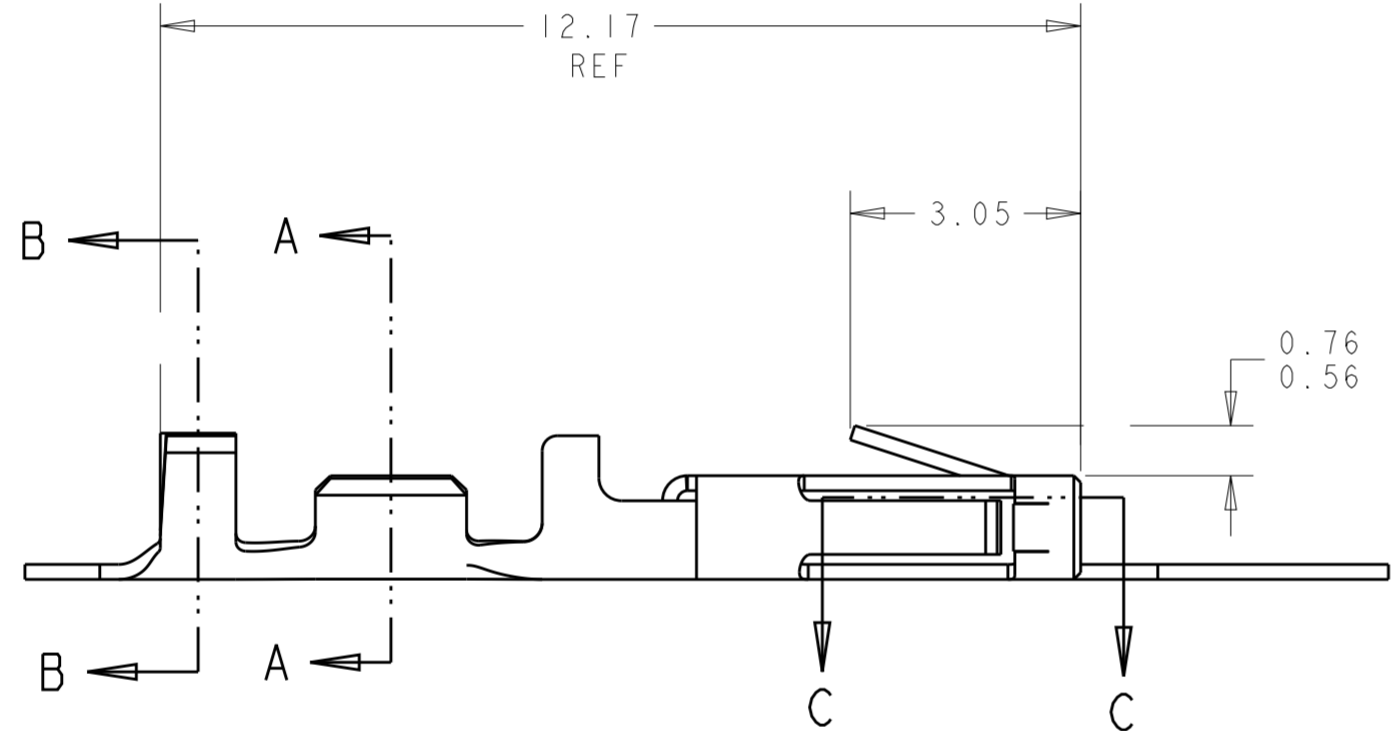
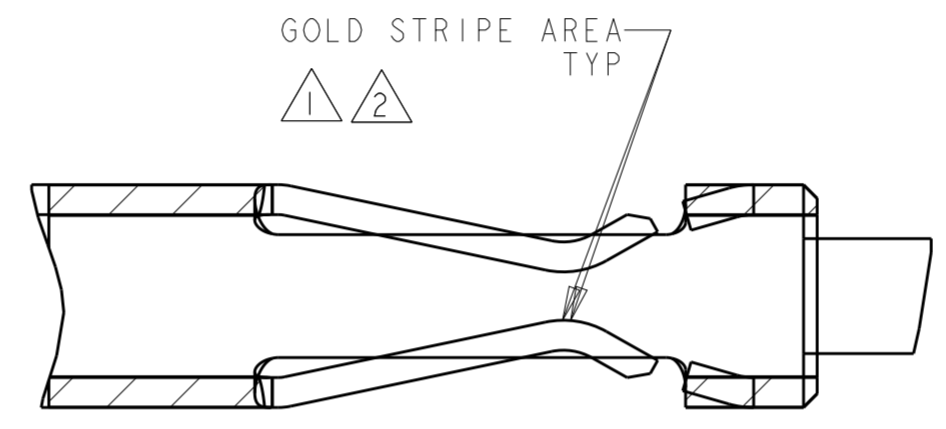
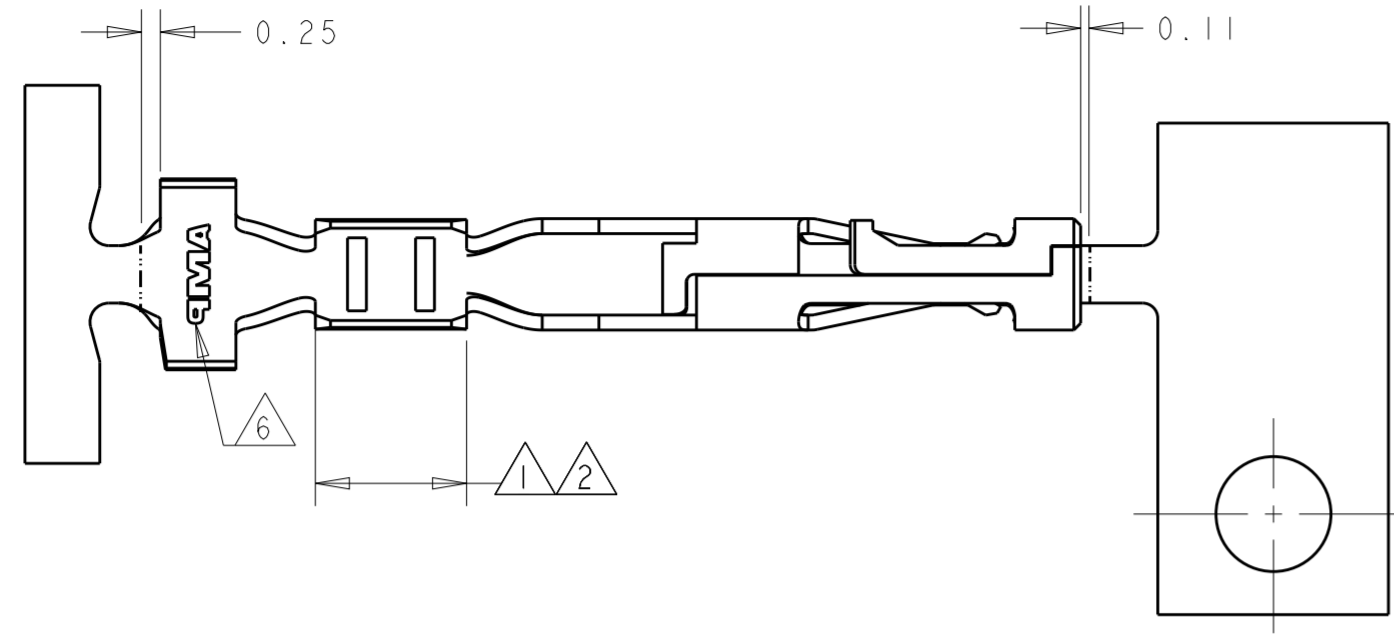
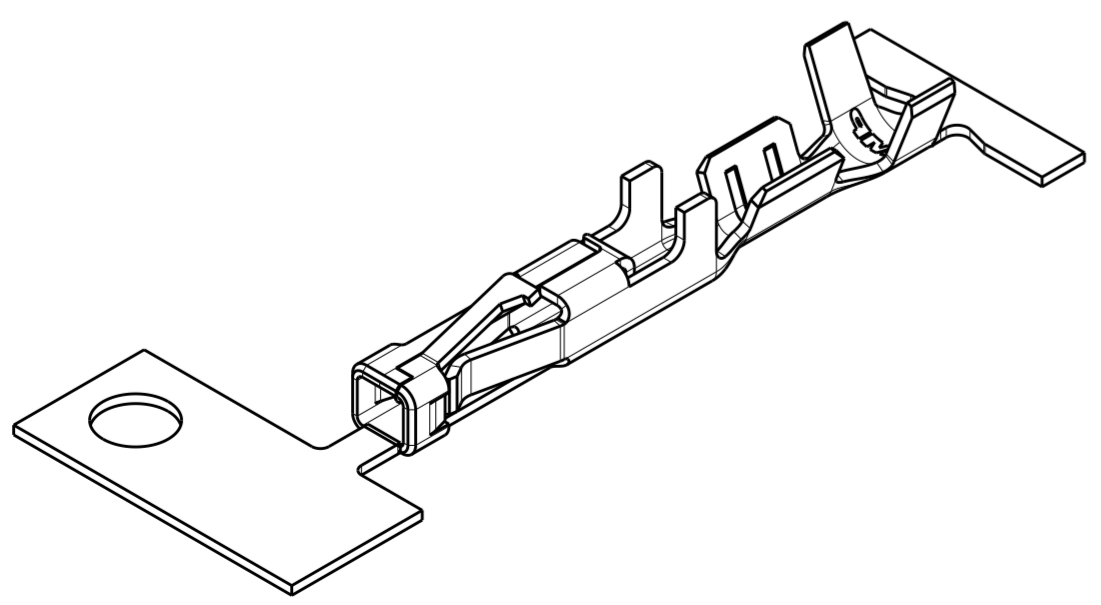


THIS DRAWING IS UNPUBLISHED. RELEASED FOR PUBLICATION
 © COPYRIGHT 20 BY - ALL RIGHTS RESERVED.

LOC	DIST	REVISIONS					
CM	53	P	LTR	DESCRIPTION	DATE	DWN	APVD
		F1		REVISED PER ECO-11-005027	14MAR2011	RK	HMR
		F2		REVISED PER ECR-18-006831	12JUN2018	JB	DZ
		F3		ECO-19-006909	03MAY2019	AP	WS



- 1 0.000762 THK GOLD STRIPE IN THE GOLD PLATE AREA, BRIGHT TIN IN THE CRIMP AREA, OVER NICKEL PLATE.
- 2 0.000381 THK GOLD STRIPE IN THE GOLD PLATE AREA, BRIGHT TIN IN THE CRIMP AREA, OVER NICKEL PLATE.
- 3 0.0015 - 0.0040 THK BRIGHT TIN.
- 4 WIRE RANGE: 26 - 30 AWG.
- 5 INSULATION RANGE 0.89 - 1.524.
- 6 AMP LOGO LOCATED APPROXIMATELY AS SHOWN.
- 7 0.000762 THK GOLD STRIPE IN THE GOLD PLATE AREA, BRIGHT TIN-LEAD IN THE CRIMP AREA, OVER NICKEL PLATE.
- 8 0.000381 THK GOLD STRIPE IN THE GOLD PLATE AREA, BRIGHT TIN-LEAD IN THE CRIMP AREA, OVER NICKEL PLATE.



3 DIMENSIONAL MODEL
SCALE 8:1

	1	1-794607-2
	2	1-794607-1
SUPERSEDED BY 1-794607-2	1	794607-3
SUPERSEDED BY 1-794607-1	8	794607-2
	3	794607-1
REMARKS	FINISH	PART NUMBER

THIS DRAWING IS A CONTROLLED DOCUMENT.		DWN K. WHITAKER 12-OCT-1999	TE Connectivity	
DIMENSIONS: mm		CHK K. COBLE 12-OCT-1999		
TOLERANCES UNLESS OTHERWISE SPECIFIED:		APVD K. COBLE 12-OCT-1999	NAME CONTACT, RECEPTACLE, CRIMP SNAP-IN, MICRO MATE-N-LOK(TM)	
0 PLC ± 1 PLC ± 2 PLC ±0.13 3 PLC ± 4 PLC ±		PRODUCT SPEC 108-1836	SIZE A200779	
ANGLES ±0.30°		APPLICATION SPEC 114-13000	CAGE CODE C-794607	
FINISH 0.2 PH BRZ		WEIGHT -	DRAWING NO G-794607	
SEE TABLE		CUSTOMER DRAWING	RESTRICTED TO -	
		SCALE 10:1	SHEET 1 OF 1	
			REV F3	

单击下面可查看定价，库存，交付和生命周期等信息

[>>TE Connectivity\(泰科\)](#)