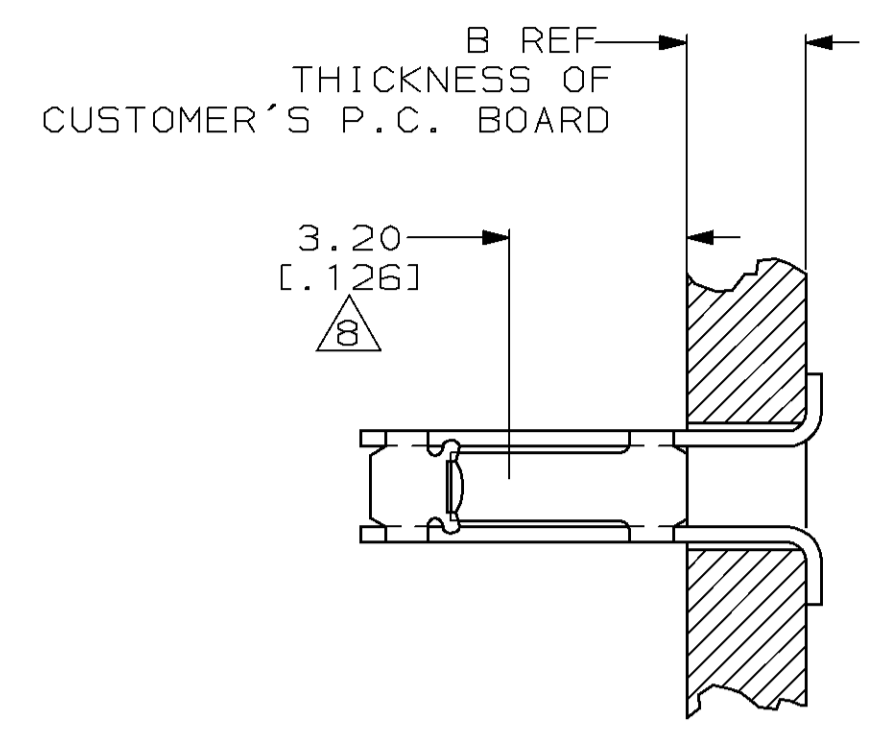
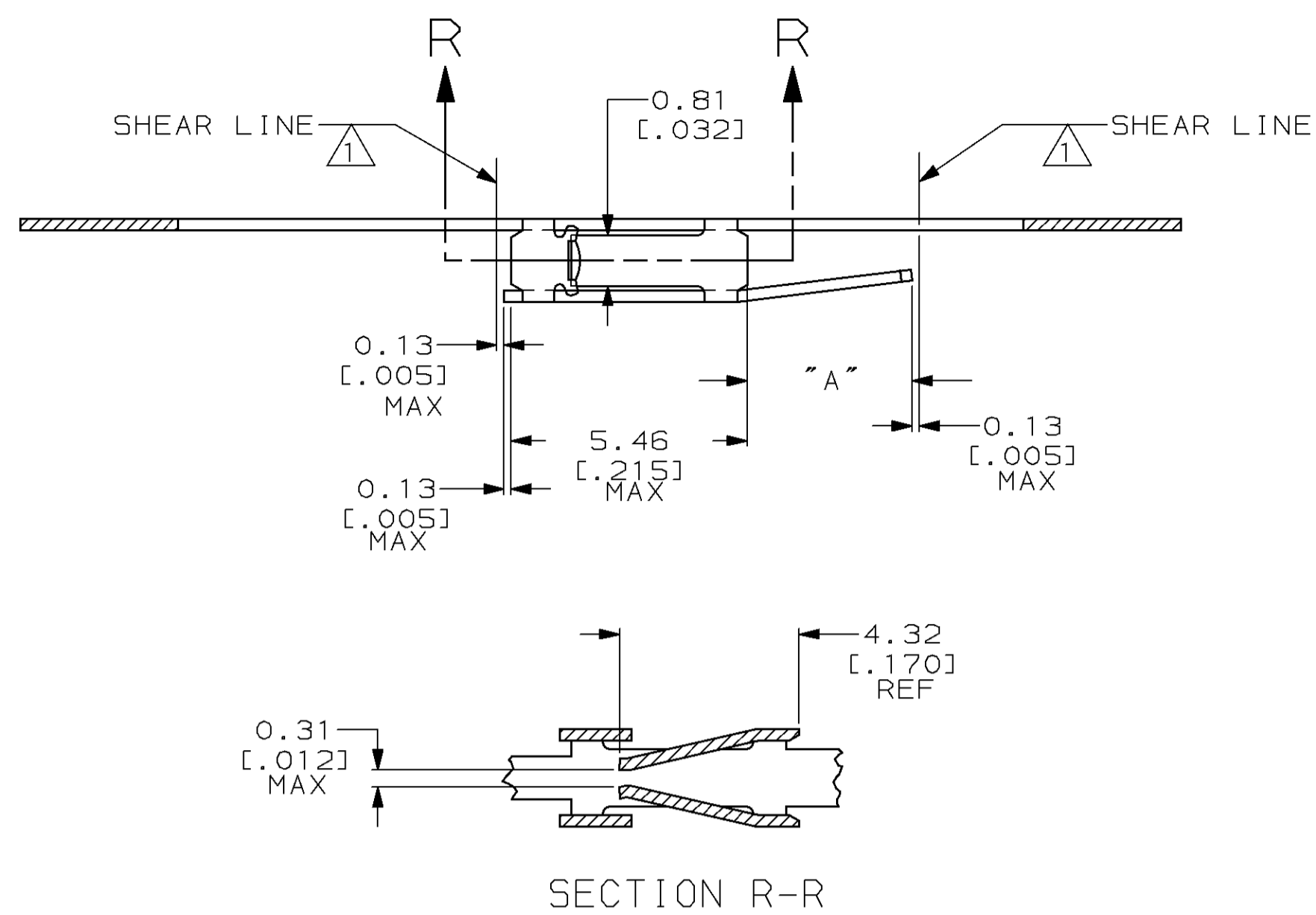
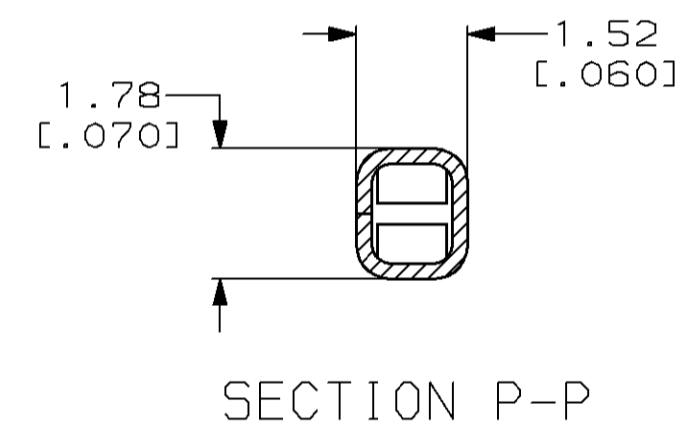
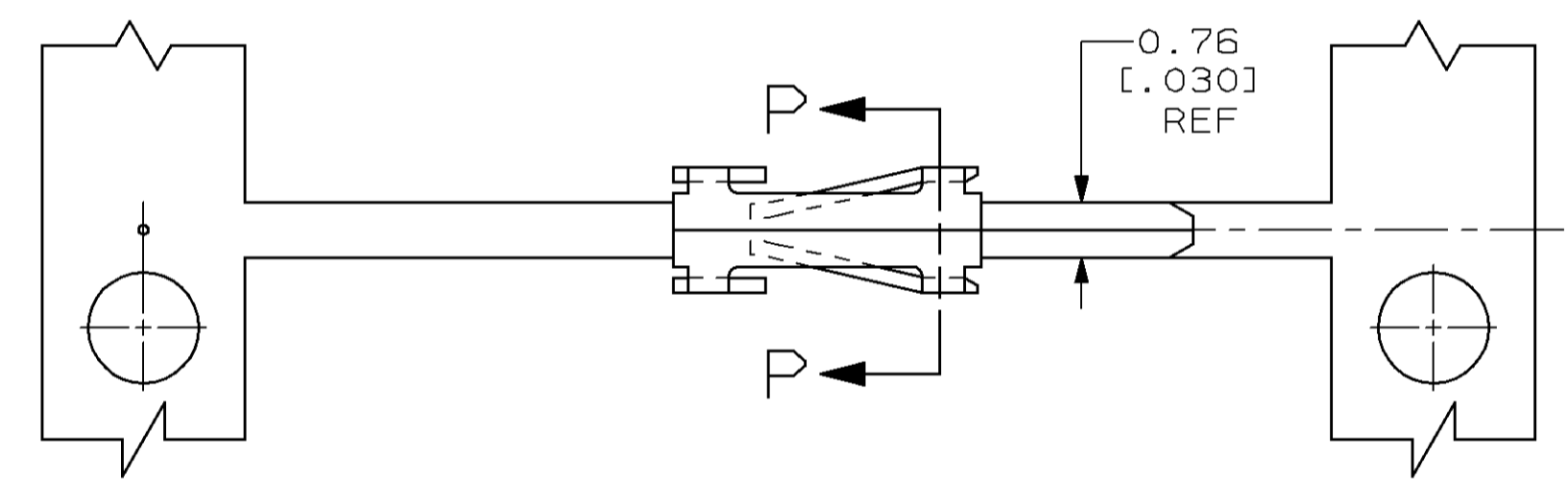


LOC		DIST		REV		REVISIONS			
AD	39	P	F	ZONE	LTR	DESCRIPTION	DATE	APPD	
				M		REV PER 0010-1801-93	JK	4-13-94	-
				N		REV PER 0010-0408-94		5-16-94	HP
				P		REV PER 0010-1847-93		1-10-95	HP
				R		REV PER 0010-0897-96		12-9-96	JH
				S		REV PER 0310-0145-96		01-06-97	JH

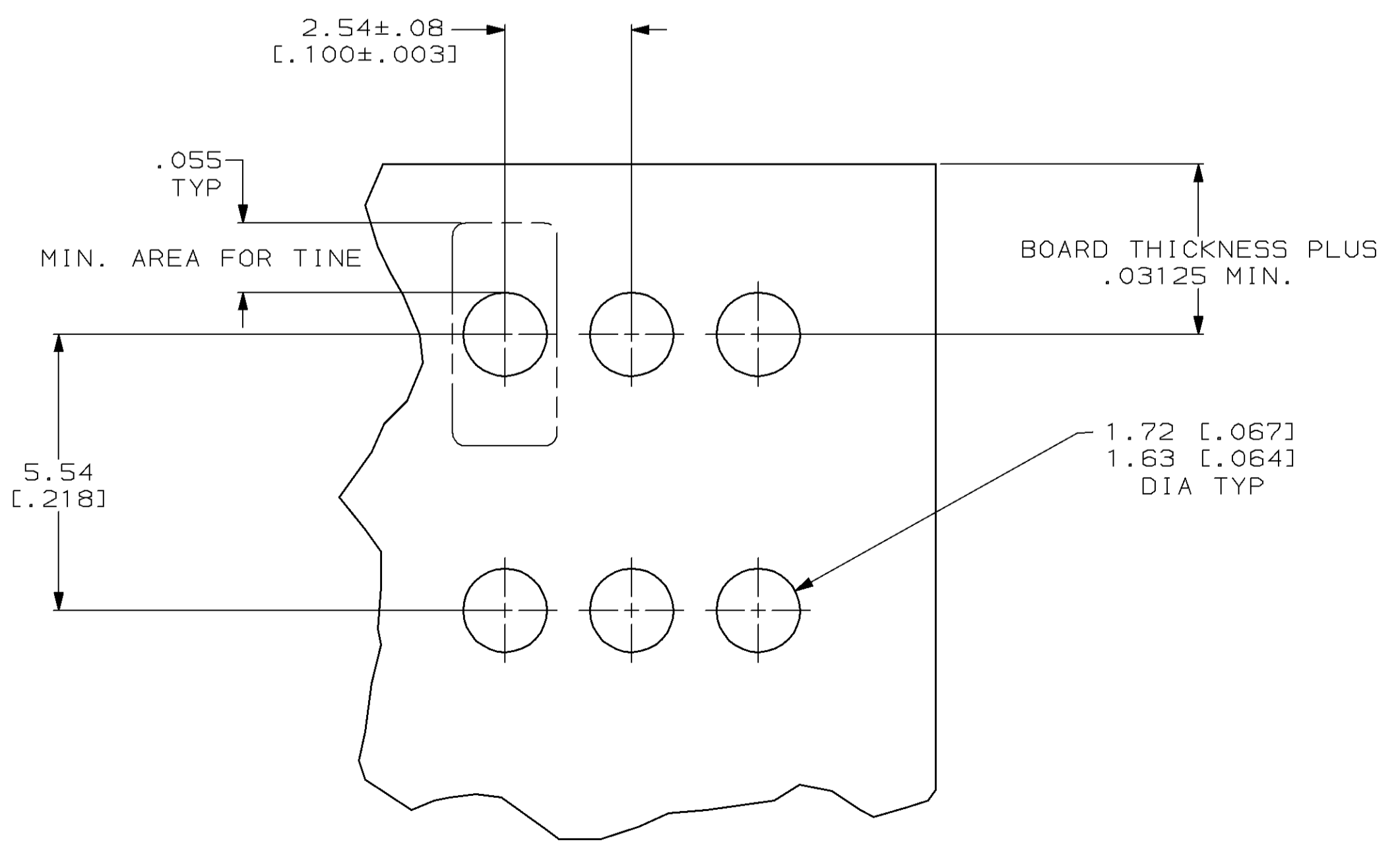


TYPICAL APPLICATION

- 1 SHEAR LINES DEFINE LOOSE PIECE PART
- 2 TERMINALS REELED FOR USE WITH AMPMODU MINI-APPLICATOR
- 3 TERMINALS REELED FOR USE WITH AMPMODU STANDARD APPLICATOR
- 4 .000030 GOLD OVER .000050 NICKEL
- 5 TIN PLATE
- 6 GOLD FLASH OVER .000050 NICKEL ENTIRE CONTACT, .000030 GOLD IN CONTACT AREA ONLY
- 7 GOLD FLASH OVER .000050 NICKEL ENTIRE CONTACT, .000015 GOLD IN CONTACT AREA ONLY
- 8 POINT OF MEASUREMENT FOR PLATING THICKNESS (INSIDE CONTACT BEAMS)
- 9 OBSOLETE PART NUMBER



SECTION P-P



RECOMMENDED P.C. BOARD LAYOUT

OBSOLETE	1-85864-1	7	.062	.115	2-85861-0	2-85861-1
OBSOLETE	1-85864-0	6	.125	.175	1-85861-9	1-85861-0
OBSOLETE	85864-9	5	.125	.175	1-85861-8	85861-9
OBSOLETE	85864-8	4	.125	.175	1-85861-7	85861-8
OBSOLETE	85864-7	6	.093	.145	1-85861-6	85861-7
OBSOLETE	85864-6	5	.093	.145	1-85861-5	85861-6
OBSOLETE	85864-5	4	.093	.145	1-85861-4	85861-5
	85864-4	6	.062	.115	1-85861-3	85861-4
	85864-3	5	.062	.115	1-85861-2	85861-3
	85864-2	4	.062	.115	1-85861-1	85861-2

LOOSE PIECE PART NUMBER	FINISH	B	A	IN PROCESS PART NUMBER	STRIP PART NUMBER

DO NOT SCALE PRINT. UNLESS SPECIFIED DIMENSIONS IN mm [INCHES] TOLERANCES ON: 1 PLC DEC ± .005 2 PLC DEC ± .005 3 PLC DEC ± .005 ANGLES ± -		DR 4-13-94 J KNAUB		AMP Incorporated Harrisburg, PA 17105-3608	
PHOSPHOR BRONZE		CHK 4-26-94 A GABANY			
FINISH SEE TABLE		APPD 4-26-94 A GABANY		NAME CONTACT, RECEPTACLE, MOD II, SHORT POINT OF CONTACT, STRIP	
APPLICATION SPEC		SIZE D	CAGE CODE 00779	DRAWING NO C-85861	
WEIGHT -		SCALE 10:1	SHEET 1 OF 1		

THIS DRAWING IS A CONTROLLED DOCUMENT FOR AMP INCORPORATED. IT IS SUBJECT TO CHANGE AND THE CONTROLLING ENGINEERING ORGANIZATION SHOULD BE CONTACTED FOR THE LATEST REVISION.

单击下面可查看定价，库存，交付和生命周期等信息

[>>TE Connectivity\(泰科\)](#)