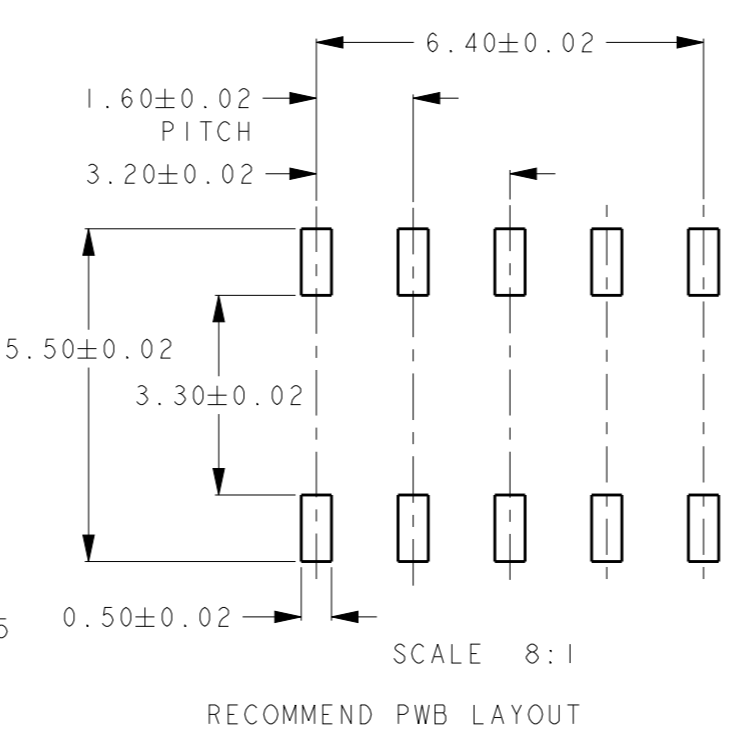
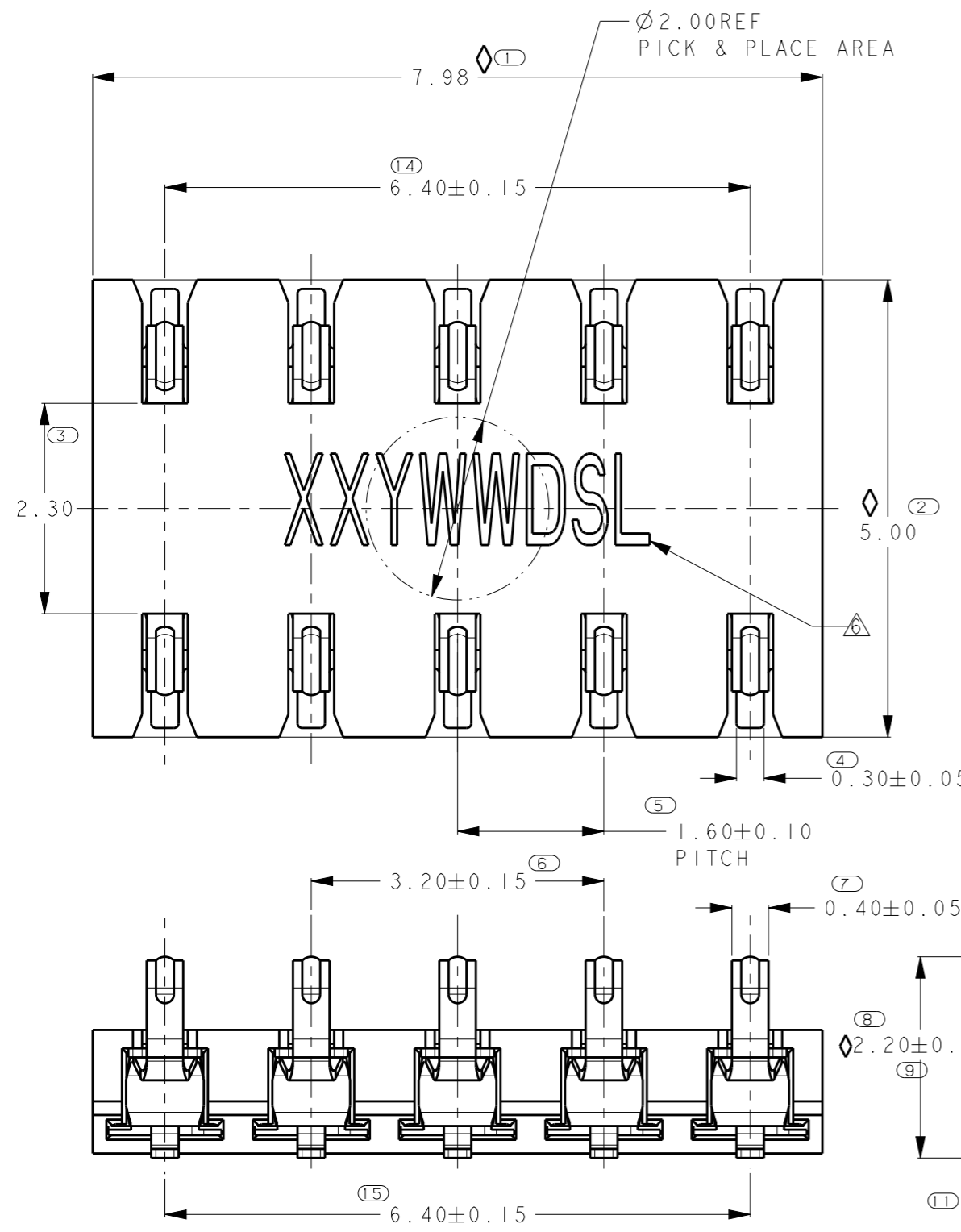
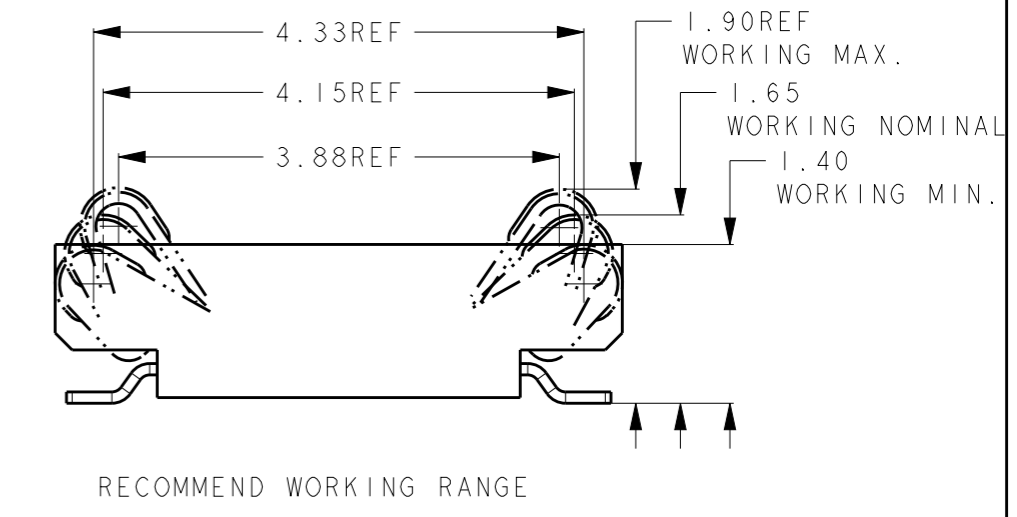
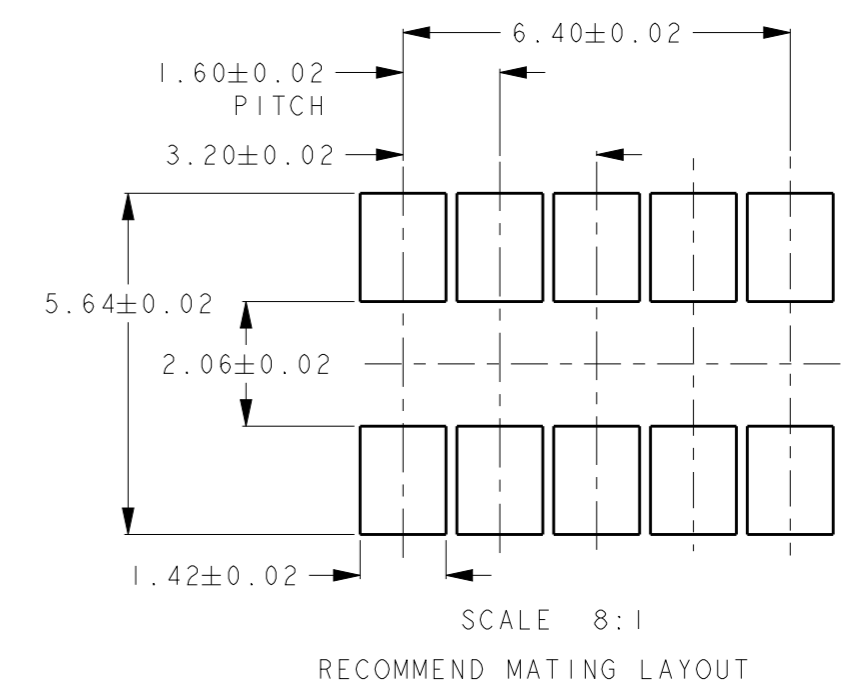


THIS DRAWING IS UNPUBLISHED. RELEASED FOR PUBLICATION 20  
 © COPYRIGHT 20 ALL RIGHTS RESERVED.

LOC	DIST	REVISIONS				
P	LTR	DESCRIPTION	DATE	DWN	APVD	
ES		A	INITIAL	20MAR2013	R.W S.Y	



AS SHOWN: 2199035-2



NOTES:  
 MATERIAL : COPPER ALLOY, THICKNESS 0.10mm.  
 HOUSING : HIGH TEMPERATURE THERMAL PLASTIC UL94V-0 BLACK  
 FINISH : 0.10-0.2 um GOLD PLATING ON CONTACT AREA, 1.25 um MIN. NICKLE UNDER PLATING, GOLD FLASH PLATING ON SOLDERING AREA.  
 COPLANARITY : 0.08 MAX. AMANG ALL SOLDER TAILS.  
 PACKAGING : TAPE & REEL.  
 NMP CODE : 5469B96.  
 DATE CODE : "XXYWWDLSL"  
 XX = VERSION NO. FOR EXAMPLE: PI, VI, AI  
 P = PROTO TOOL; V = PRODUCTION TOOL; A = MASS APPROVED.  
 YWWD = PRODUCTION DATE (YEAR, WEEK, DAY).  
 S = SHIFT (D=DYA, N=NIGHT); L = LINE NUMBER.

THIS DRAWING IS A CONTROLLED DOCUMENT.		DWN	20MAR2013	 TE Connectivity	NAME		ONE PIECE BtoB CONNECTOR	
DIMENSIONS:		CHK	20MAR2013		PRODUCT SPEC		10 PINS, 1.6MM PITCH, HI.65, TWO ROWS	
mm		APVD	20MAR2013		APPLICATION SPEC		108-115039	
TOLERANCES UNLESS OTHERWISE SPECIFIED: ±0.20		STEVEN YAO			WEIGHT		0.101g	
0 PLC ± 1 PLC ± 2 PLC ± 3 PLC ± 4 PLC ± ANGLES ±5°		MATERIAL		SIZE		A300779		
FINISH		CUSTOMER DRAWING		CAGE CODE		DRAWING NO		
				SCALE		15:1		
				SHEET		1 OF 2		
				REV		A		

4

3

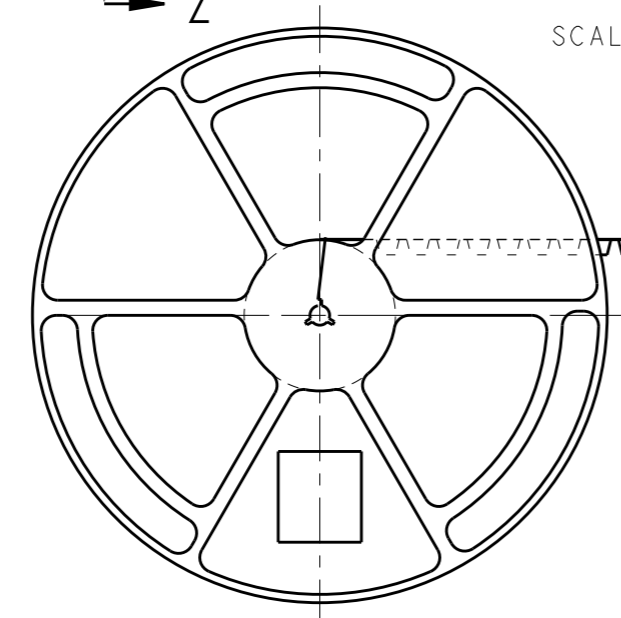
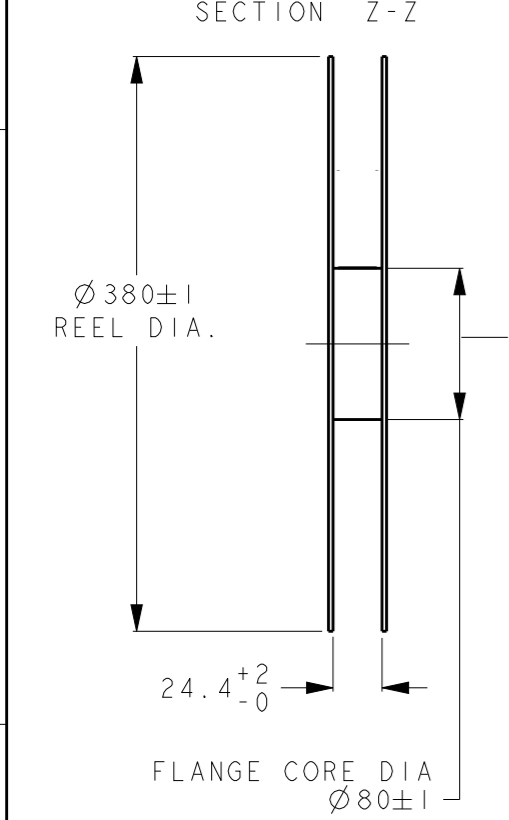
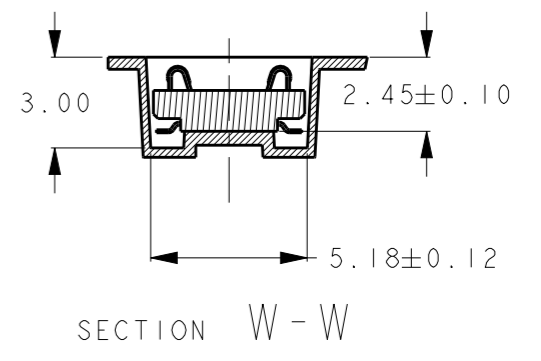
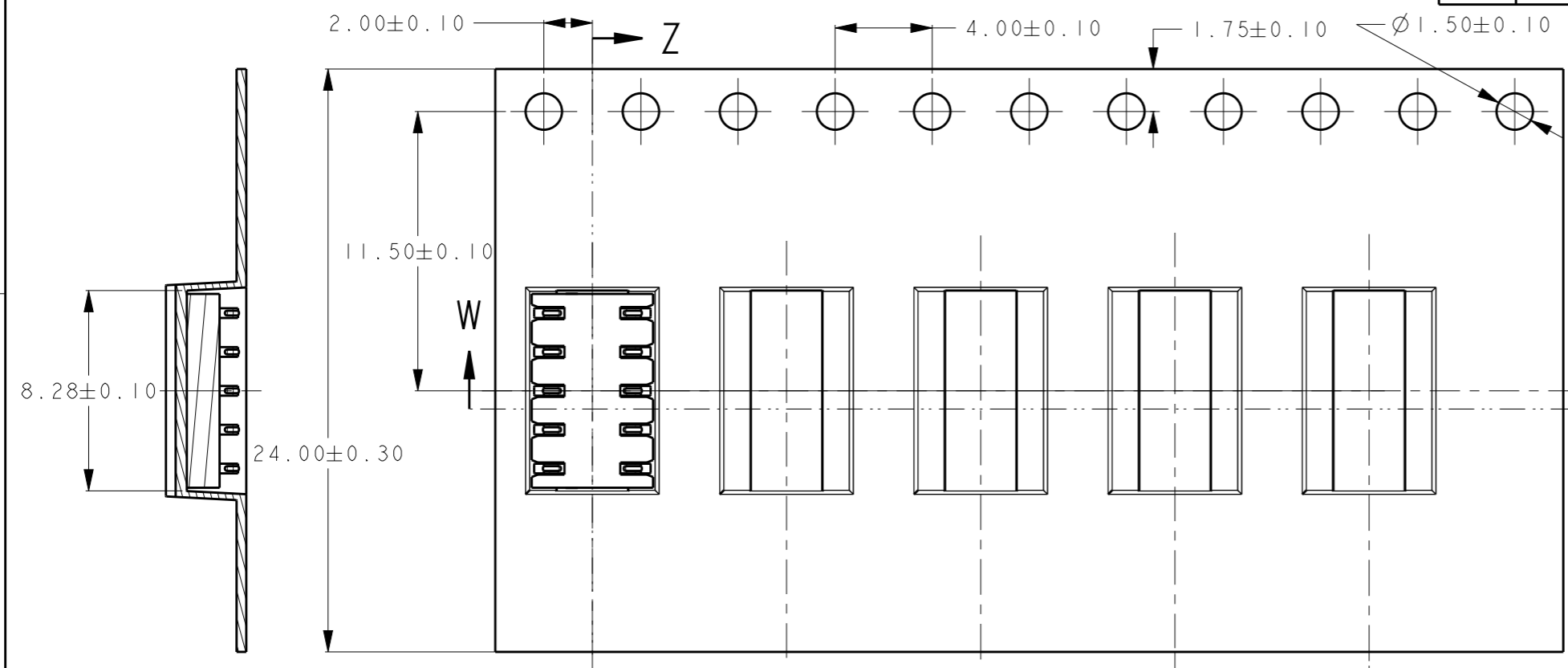
2

1

THIS DRAWING IS UNPUBLISHED. RELEASED FOR PUBLICATION 20 ALL RIGHTS RESERVED. (C) COPYRIGHT 20

LOC DIST ES

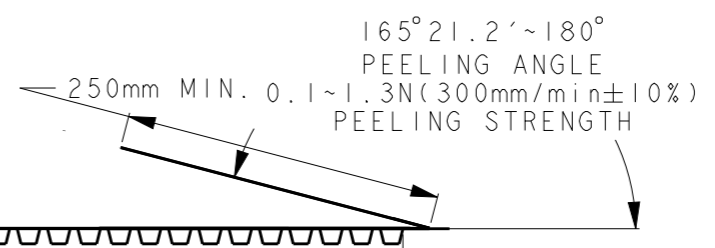
REVISIONS				
P	LTR	DESCRIPTION	DATE	APVD
-	-	SEE SHEET 1	-	-



40mm MIN. WITHOUT CHARGE SEALED WITH COVER TAPE

WITH PRODUCT CHARGE 3500 PCS/IREEL

100mm MIN. WITHOUT CHARGE SEALED WITH COVER TAPE



SCALE 4:1

NOTES:  
 1. MATERIAL: P.S CLEAR, 0.4MM THICKNESS.  
 2. QUANTITY PER REEL: 3500 PIECES.

THIS DRAWING IS A CONTROLLED DOCUMENT.		DWN	20MAR2013	<b>STE</b> TE Connectivity
		CHK	20MAR2013	
		APVD	20MAR2013	
		NAME	STEVEN YAO	
DIMENSIONS: mm		PRODUCT SPEC	ONE PIECE BtoB CONNECTOR 10 PINS, 1.6MM PITCH, HI.65 TWO ROWS	
TOLERANCES UNLESS OTHERWISE SPECIFIED: ±0.20		APPLICATION SPEC	-	
0-PLC ±		WEIGHT	-	
1-PLC ±		CUSTOMER DRAWING	-	
2-PLC ±		SCALE	15:1	
3-PLC ±		SIZE	A300779C-2199035	
4-PLC ±		CAGE CODE	-	
ANGLES ±5°		DRAWING NO	-	
FINISH		RESTRICTED TO	-	
MATERIAL		SCALE	15:1	
		SHEET	2 OF 2	
		REV	A	

单击下面可查看定价，库存，交付和生命周期等信息

[>>TE Connectivity\(泰科\)](#)