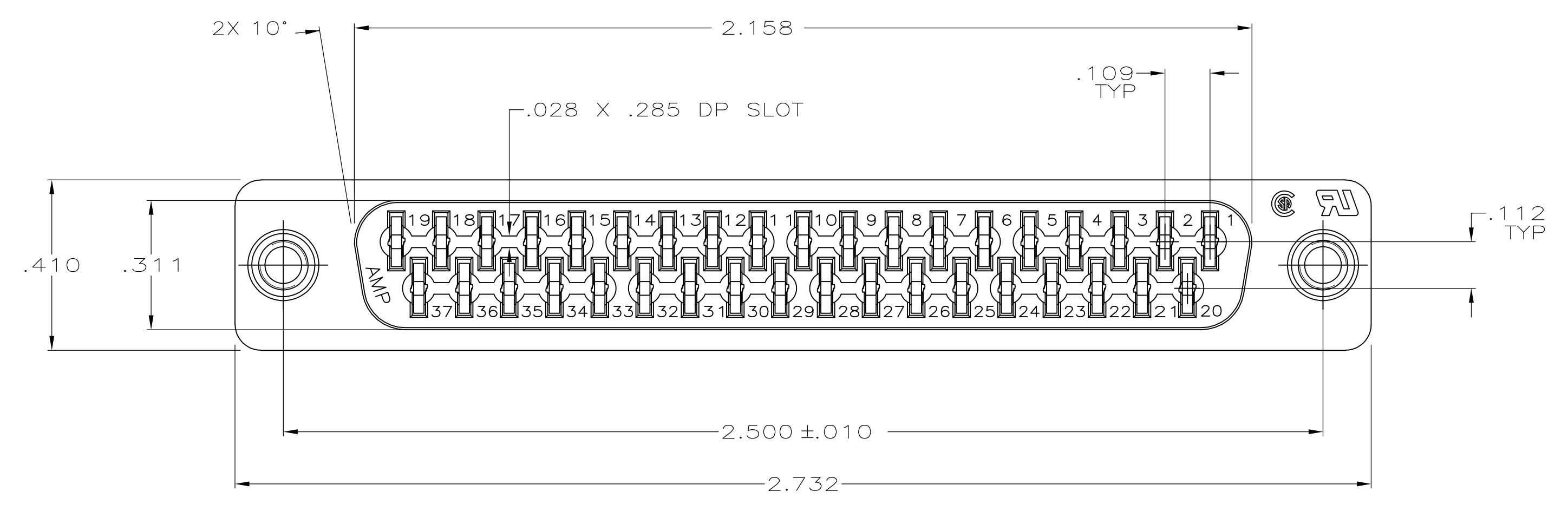
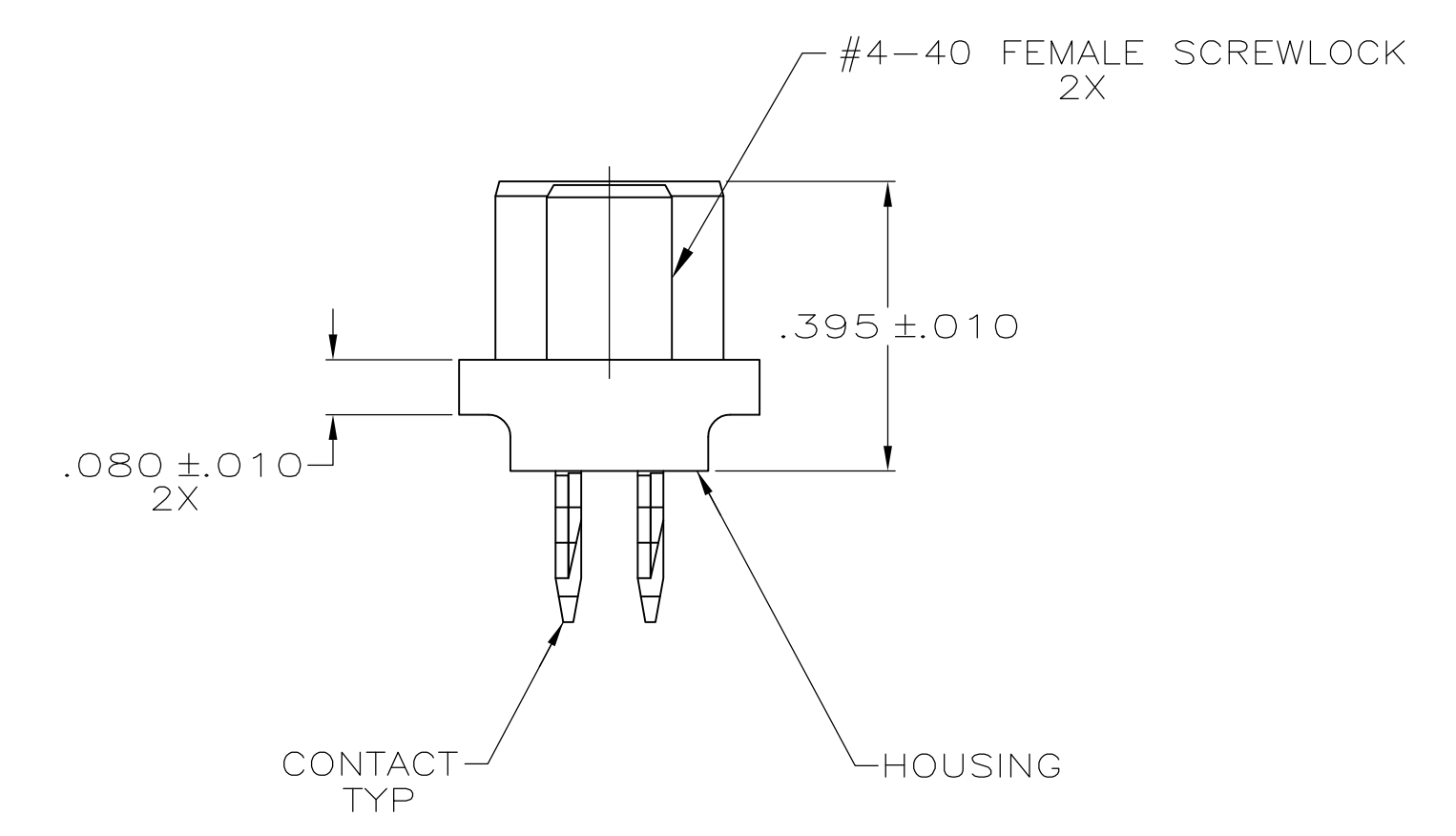
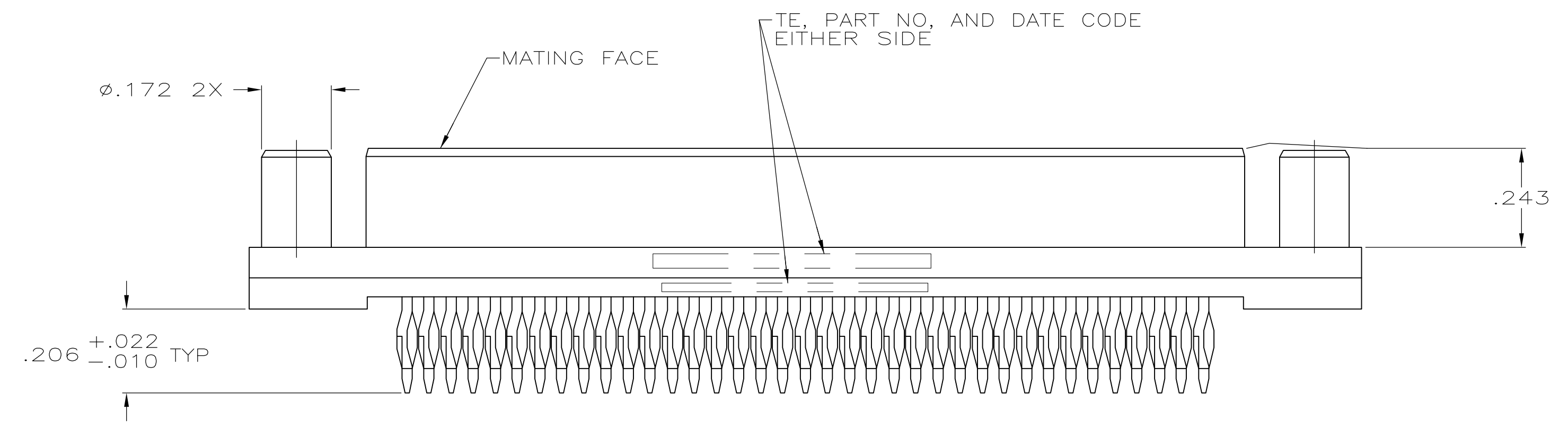


LOC		DIST		REVISIONS			
GP	00	REV	DATE	BY	CHK	APPV	
C		REVISED PER ECO-12-000090	26JAN2012	CJV	SLB		



- 1 FOR USE WITH .093 MINIMUM THICK PRINTED CIRCUIT BOARD. REFER TO APPLICATION SPECIFICATION FOR PRINTED CIRCUIT BOARD LAYOUT DIMENSIONS AND FINISH RECOMMENDATIONS.
- 2 MATERIAL:
HOUSING: GLASS-FILLED NYLON OR POLYESTER, UL94V-0 RATED.
COLOR: BLACK
CONTACTS: COPPER-NICKEL ALLOY.
SCREWLOCKS: BRASS.
- 3 SCREWLOCKS: .000050 MIN NICKEL OVER COPPER FLASH.
- 4 CONTACTS:
0.76 MICROMETERS [.000030]MIN GOLD IN MATING AREA.
2.54 MICROMETERS [.000100]MIN TIN ON COMPLIANT PIN.
ALL OVER 1.27 MICROMETERS [.000050]MIN NICKEL.
OR
GOLD FLASH OVER PALLADIUM NICKEL.
0.76 MICROMETERS [.000030]MIN TOTAL IN MATING AREA.
2.54 MICROMETERS [.000100]MIN TIN ON COMPLIANT PIN.
ALL OVER 1.27 MICROMETERS [.000050]MIN NICKEL.



5745459-2
PART NUMBER

THIS DRAWING IS A CONTROLLED DOCUMENT.		DWG: G.PETERS/DTI 04FEB06	STE TE Connectivity	
DIMENSIONS: INCHES		CHK: S.BOLASH 04FEB06	NAME: RECEPTACLE ASSEMBLY, ACTION-PIN, 37 POSITION, HD-20, AMPLIMITE	
TOLERANCES UNLESS OTHERWISE SPECIFIED:		APP'D: M.WALMSLEY 04FEB06	PRODUCT SPEC: 108-40014	
0 PLC ± -		APPLICATION SPEC: 114-40026 1		
1 PLC ± -		SIZE: A1		
2 PLC ± -		CAGE CODE: 00779		
3 PLC ± .005		DRAWING NO: 5745459		
4 PLC ± -		RESTRICTED TO: -		
ANGLES ± -		CUSTOMER DRAWING		
MATERIAL: 2		SCALE: 4:1		
FINISH: 3 4		SHEET: 1 OF 1		
		REV: C		

单击下面可查看定价，库存，交付和生命周期等信息

[>>TE Connectivity\(泰科\)](#)