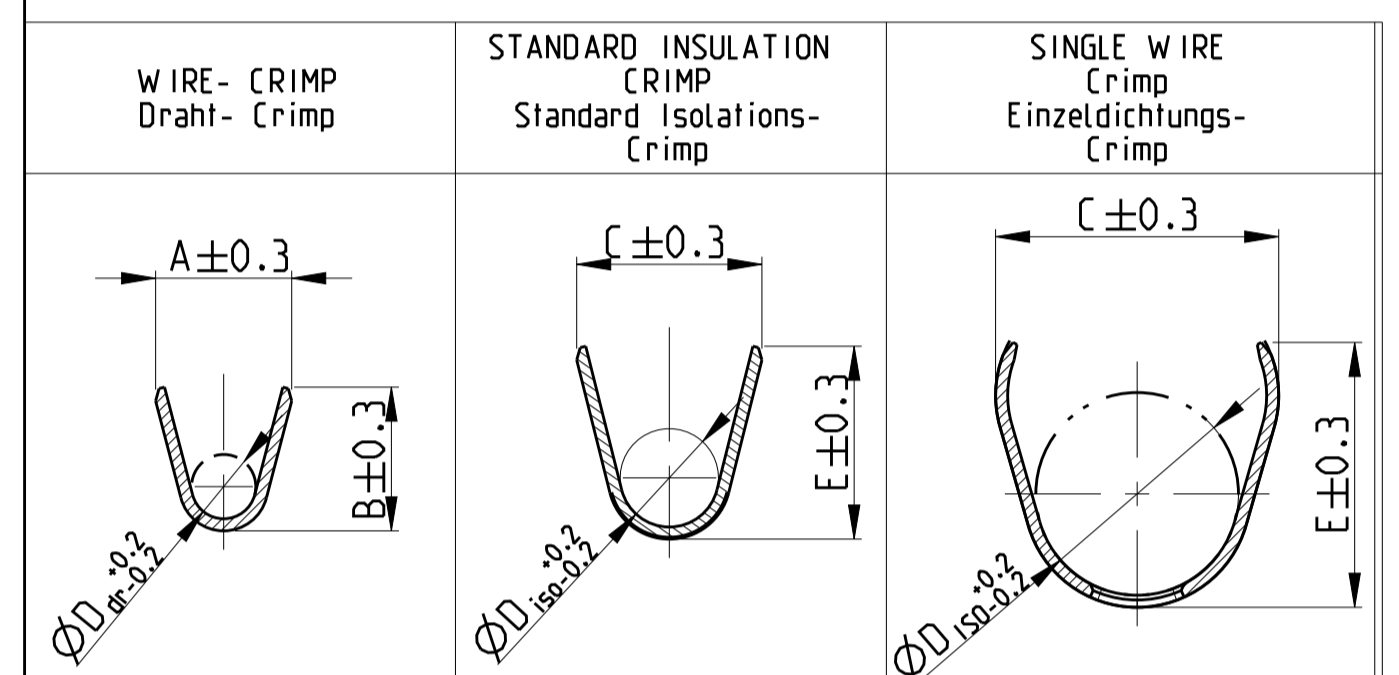
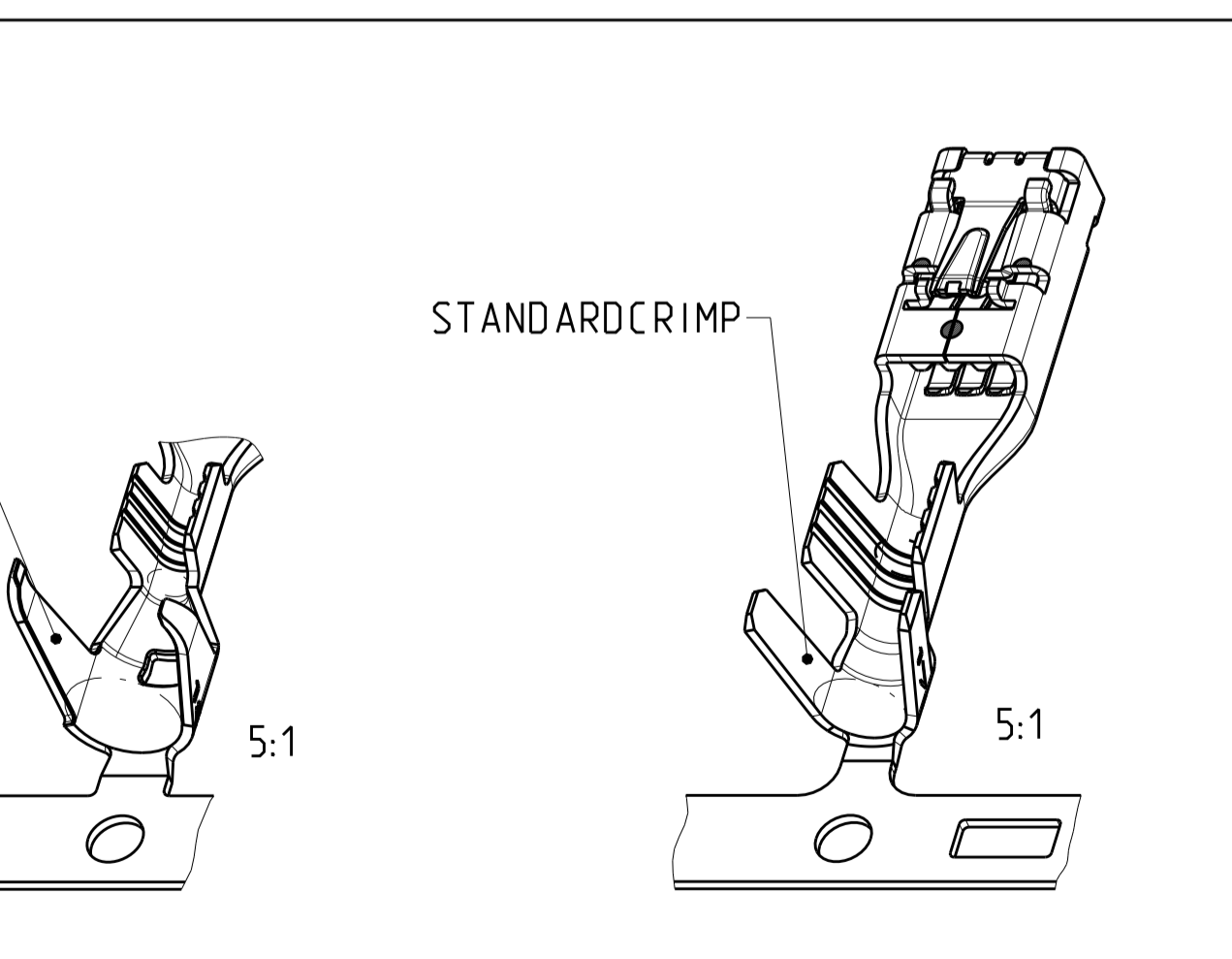
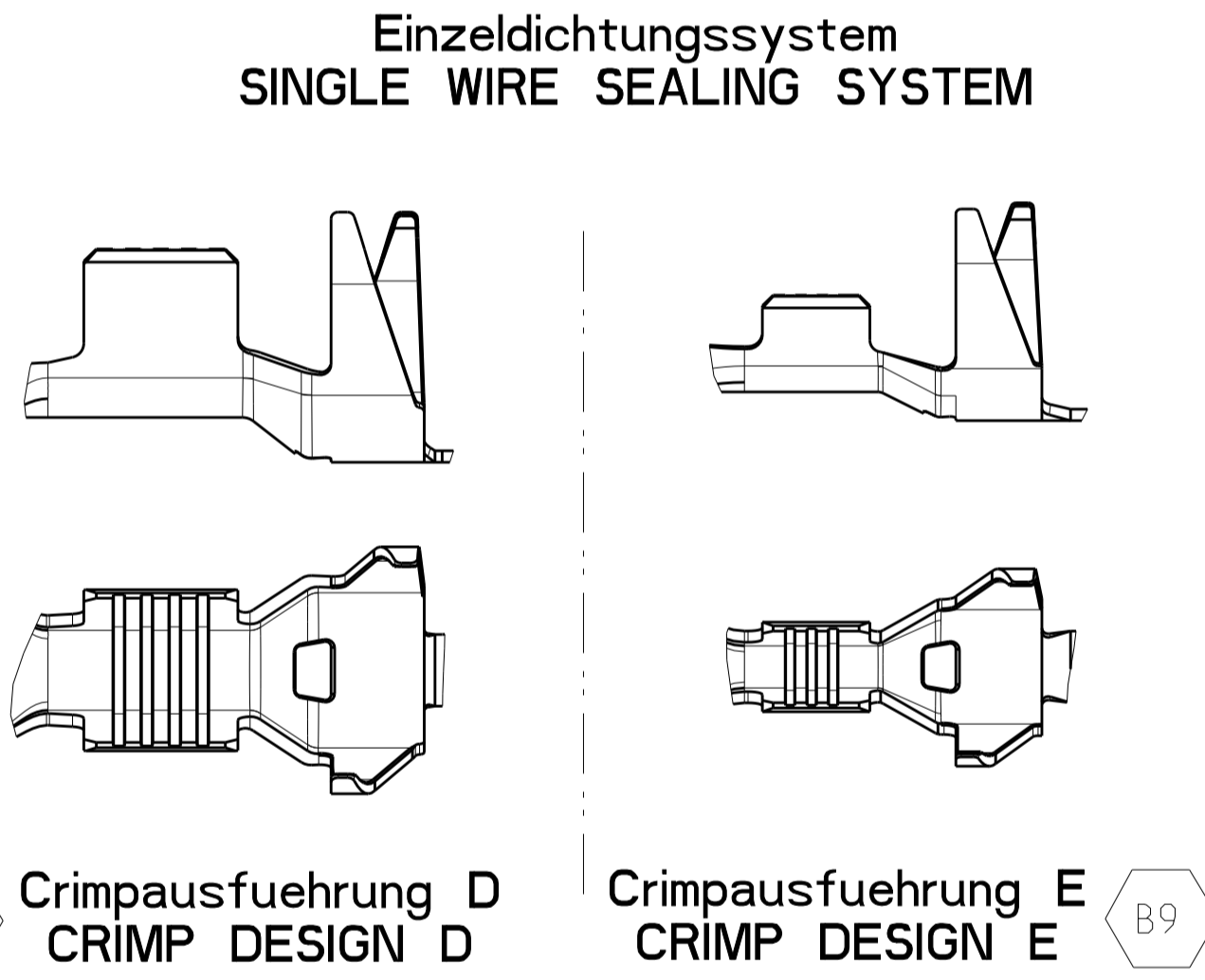
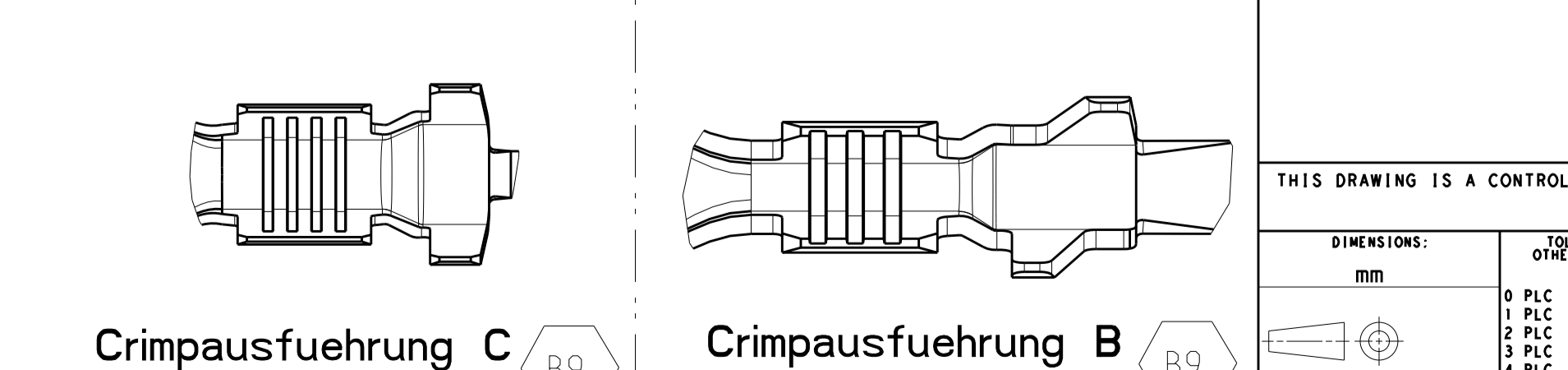
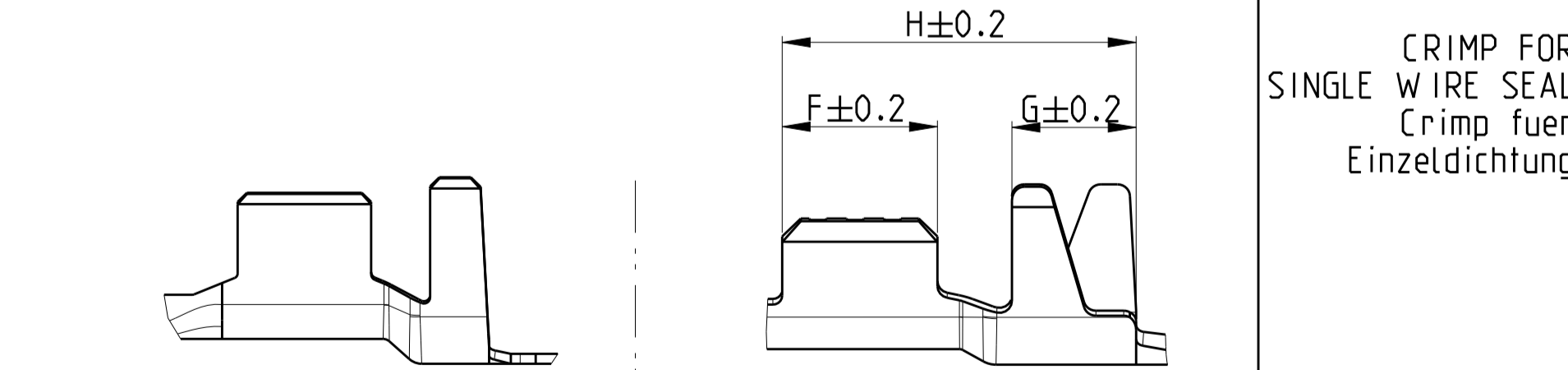
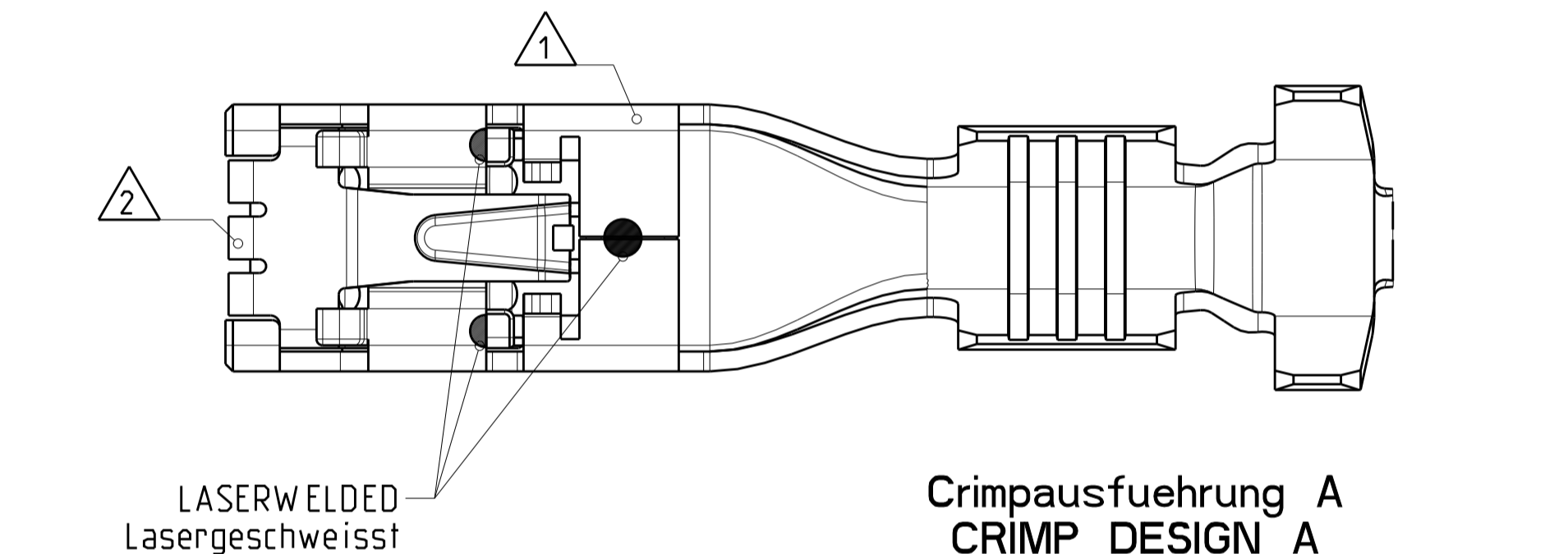
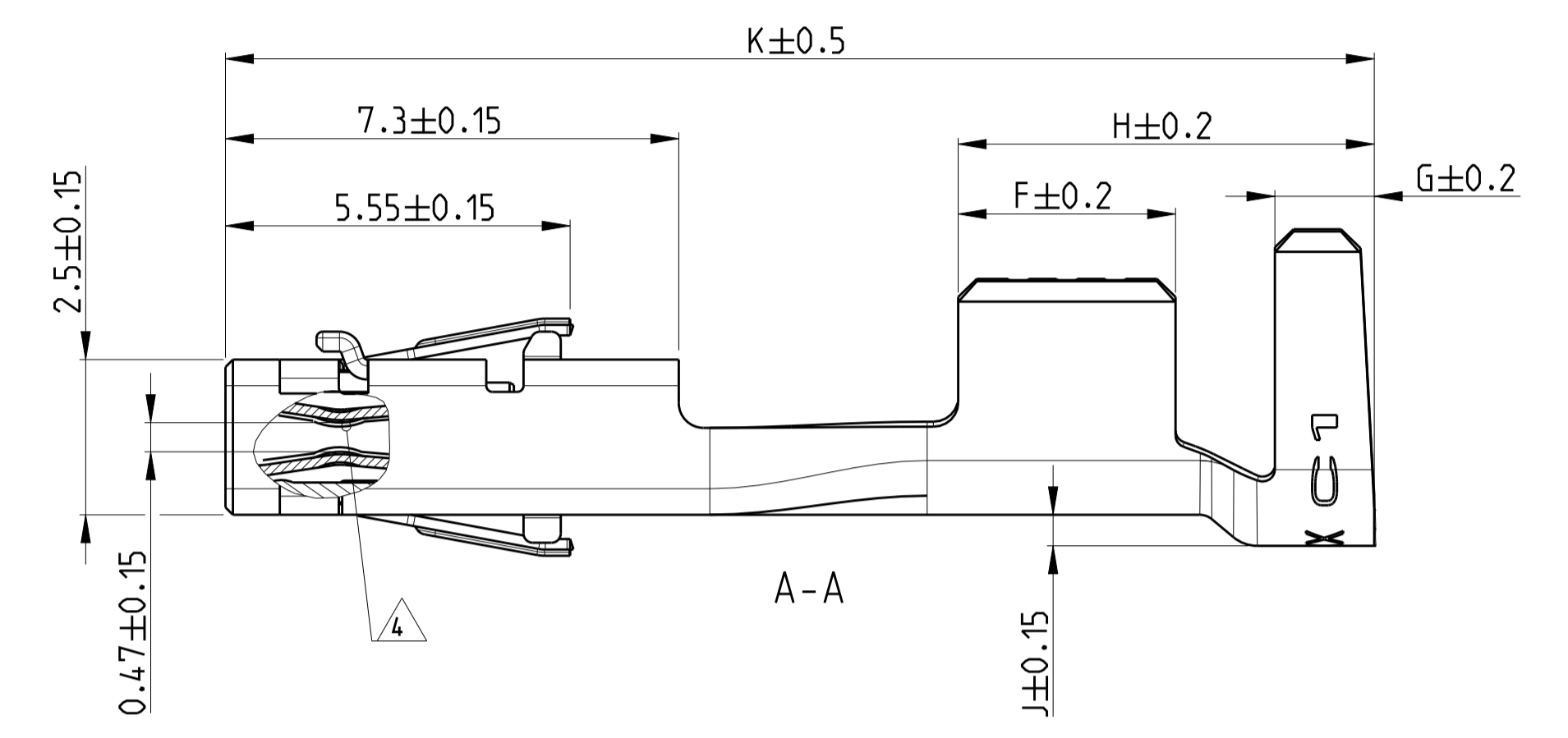
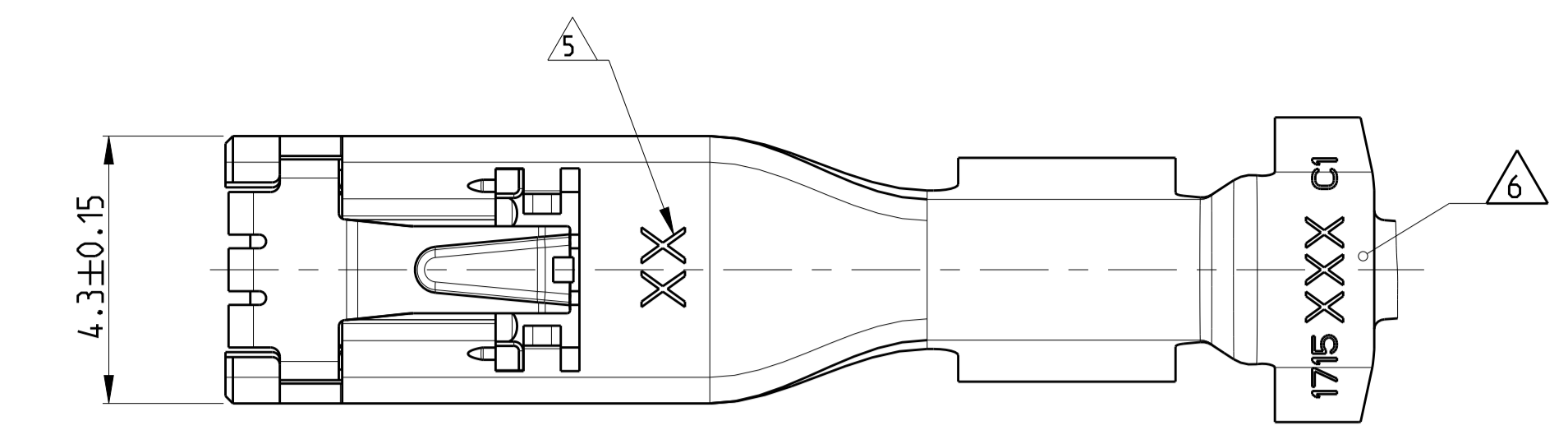


| LOC | DIST | REV | DATE      | APPV       |
|-----|------|-----|-----------|------------|
| A1  | -    | B6  | 03MAY2011 | Kirs. Merz |
|     |      | B7  | 11JUN2014 | Bren Merz  |
|     |      | B8  | 21AUG2017 | SCK RM     |
|     |      | B9  | 11SEP2017 | GH RM      |

- 1 BODY Kontaktkoerper
- 2 SPRING Kontaktfeder
- 3 FOR FLR-WIRE SEE DIN 72551, PART 6 Fuer FLR-Leitung nach DIN 72551, Teil 6
- 4 SURFACE
  - a) BODY -PRE TIN 1 TO 3 µm
  - b) SPRING -PRE TIN SnAg 1 TO 3µm -GOLD PLATED MIN. µm (only contact area) -SILVER PLATED 2 TO 4 µm (only contact area)
- 5 STAMPED INDICATOR FOR PLATING:
  - AU GOLD PLATING
  - AG SILVER PLATING
  - TIN PLATING WITHOUT INDICATOR
 Markierung fuer galvanische Ausfuehrung:
  - AU vergoldet
  - AG versilbert
  - verzinkt: ohne Markierung
- 6 TE LOGO REVISION STATUS DATE CODE
- 7 MATING PART SEE INTERFACE DRAWING 114-18230-002 Gegenstecker nach Ausfuehrungsvorschrift



| VERSION / Ausfuehrung             | TE ORDER-NO. STRIP FORM | Rev. | BODY Kontaktkoerper | SPRING Kontaktfeder | BODY Kontaktkoerper | SPRING Kontaktfeder      | WIRE RANGE | WIRE CRIMP Drahtcrimp |     |                 |     |     | ISOLATION CRIMP Isolationscrimp |     |     |     |      | Øxxx [mm] | BLINDPLUG ORDER NO. Blindstopfen Bestell-Nr. | Crimpausfuehrung CRIMP DESIGN |   |
|-----------------------------------|-------------------------|------|---------------------|---------------------|---------------------|--------------------------|------------|-----------------------|-----|-----------------|-----|-----|---------------------------------|-----|-----|-----|------|-----------|--|-------------------------------|---|
|                                   |                         |      |                     |                     |                     |                          |            | A                     | B   | D <sub>Dr</sub> | C   | E   | D <sub>ISO</sub>                | F   | G   | H   | J    |           |  |                               | K |
| SINGLE WIRE SEAL / Einzeldichtung | 1563935-3               | A    | CuSn0.15            | CuNi3Si1Mg          | TIN PLATED verzinkt | SILVER PLATED versilbert | 0.5        | 2.3                   | 2.3 | 1.0             | 5.5 | 5.9 | 3.3                             | 3.0 | 2.4 | 7.8 | 0.8  | 19.0      | 828904-1 (Ø5.0)                              | 828 922-1                     | E |
|                                   | -                       | -    | C 14415             | C 70250             | TIN PLATED verzinkt | GOLD PLATED vergoldet    | 0.75-1     | 2.5                   | 2.7 | 1.2             | 5.5 | 5.9 | 3.3                             | 3.0 | 2.4 | 7.8 | 0.8  | 19.0      | 828904-1 (Ø5.0)                              |                               |   |
|                                   | 1670802-3               | B    | CuSn0.15            | CuNi3Si1Mg          | TIN PLATED verzinkt | SILVER PLATED versilbert | >1-2.5     | 3.6                   | 3.8 | 1.7             | 5.7 | 6.1 | 3.5                             | 3.5 | 2.4 | 8.3 | 0.8  | 19.0      | 828905-1 (Ø5.0)                              |                               |   |
|                                   | -                       | -    | C 14415             | C 70250             | TIN PLATED verzinkt | GOLD PLATED vergoldet    | >2.5-4     | 4.5                   | 4.7 | 2.3             | 6.9 | 7.0 | 4.5                             | 4.3 | 2.6 | 9.5 | 1.25 | 20.0      | 828985-1 (Ø6.4)                              |                               |   |
|                                   | 1670802-1               | B    | CuSn0.15            | CuNi3Si1Mg          | TIN PLATED verzinkt | SILVER PLATED versilbert | 0.2-0.35   | 2.1                   | 2.1 | 0.8             | 2.9 | 2.9 | 1.4                             | 2.5 | 2.0 | 5.7 | 0.25 | 17.5      | -  |                               |   |
|                                   | -                       | -    | C 14415             | C 70250             | TIN PLATED verzinkt | GOLD PLATED vergoldet    | 0.5        | 2.3                   | 2.3 | 1.0             | 2.9 | 2.9 | 1.4                             | 3.0 | 2.0 | 6.2 | 0.25 | 17.5      | -  |                               |   |
| STANDARD CRIMP                    | 1670804-3               | B    | CuSn0.15            | CuNi3Si1Mg          | TIN PLATED verzinkt | SILVER PLATED versilbert | 0.75-1     | 2.5                   | 2.7 | 1.2             | 3.7 | 3.9 | 1.8                             | 3.0 | 1.6 | 6.2 | 0.25 | 18        | -  | 828 986-1                     | D |
|                                   | -                       | -    | C 14415             | C 70250             | TIN PLATED verzinkt | GOLD PLATED vergoldet    | >1-2.5     | 3.6                   | 3.8 | 1.7             | 4.9 | 5.1 | 2.6                             | 3.5 | 1.6 | 6.7 | 0.5  | 18.5      | -  |                               |   |
|                                   | 1670804-1               | B    | CuSn0.15            | CuNi3Si1Mg          | TIN PLATED verzinkt | SILVER PLATED versilbert | 0.2-0.35   | 2.1                   | 2.1 | 0.8             | 2.9 | 2.9 | 1.4                             | 2.5 | 2.0 | 5.7 | 0.25 | 17.5      | -  |                               |   |
|                                   | -                       | -    | C 14415             | C 70250             | TIN PLATED verzinkt | GOLD PLATED vergoldet    | 0.5        | 2.3                   | 2.3 | 1.0             | 2.9 | 2.9 | 1.4                             | 3.0 | 2.0 | 6.2 | 0.25 | 17.5      | -  |                               |   |
|                                   | 1670806-3               | B    | CuSn0.15            | CuNi3Si1Mg          | TIN PLATED verzinkt | SILVER PLATED versilbert | 0.75-1     | 2.5                   | 2.7 | 1.2             | 3.7 | 3.9 | 1.8                             | 3.0 | 1.6 | 6.2 | 0.25 | 18        | -  |                               |   |
|                                   | -                       | -    | C 14415             | C 70250             | TIN PLATED verzinkt | GOLD PLATED vergoldet    | >1-2.5     | 3.6                   | 3.8 | 1.7             | 4.9 | 5.1 | 2.6                             | 3.5 | 1.6 | 6.7 | 0.5  | 18.5      | -  |                               |   |
| STANDARD CRIMP                    | 1718475-3               | E    | CuSn0.15            | CuNi3Si1Mg          | TIN PLATED verzinkt | SILVER PLATED versilbert | 0.2-0.35   | 2.1                   | 2.1 | 0.8             | 2.9 | 2.9 | 1.4                             | 2.5 | 2.0 | 5.7 | 0.25 | 17.5      | -  | 828 986-1                     | D |
|                                   | -                       | -    | C 14415             | C 70250             | TIN PLATED verzinkt | GOLD PLATED vergoldet    | >2.5-4     | 4.5                   | 4.7 | 2.3             | 5.8 | 6.0 | 3.3                             | 4.3 | 1.9 | 8.1 | 0.8  | 19        | -  |                               |   |
| STANDARD CRIMP                    | 1718475-1               | E    | CuSn0.15            | CuNi3Si1Mg          | TIN PLATED verzinkt | SILVER PLATED versilbert | 0.2-0.35   | 2.1                   | 2.1 | 0.8             | 2.9 | 2.9 | 1.4                             | 2.5 | 2.0 | 5.7 | 0.25 | 17.5      | -  | 828 986-1                     | D |
|                                   | -                       | -    | C 14415             | C 70250             | TIN PLATED verzinkt | GOLD PLATED vergoldet    | >2.5-4     | 4.5                   | 4.7 | 2.3             | 5.8 | 6.0 | 3.3                             | 4.3 | 1.9 | 8.1 | 0.8  | 19        | -  |                               |   |



|  |      |  |                 |       |
|--|------|--|-----------------|-------|
| THIS DRAWING IS A CONTROLLED DOCUMENT. |      | DMW W. Dahms 15FEB2006                 | TE Connectivity |       |
| DIMENSIONS: mm                         |      | TOLERANCES UNLESS OTHERWISE SPECIFIED: | NAME            |       |
| 0 PLC                                  | ±0.3 | 1 PLC                                  | ±0.2            | 2 PLC |
| 3 PLC                                  | ±    | 4 PLC                                  | ±               | 5 PLC |
| MATERIAL see table siehe Tabelle       |      | FINISH see table siehe Tabelle         | RESTRICTED TO   |       |
| WEIGHT 0.58 g                          |      | SCALE 10:1                             | SHEET 1 OF 1    |       |

单击下面可查看定价，库存，交付和生命周期等信息

[>>TE Connectivity\(泰科\)](#)