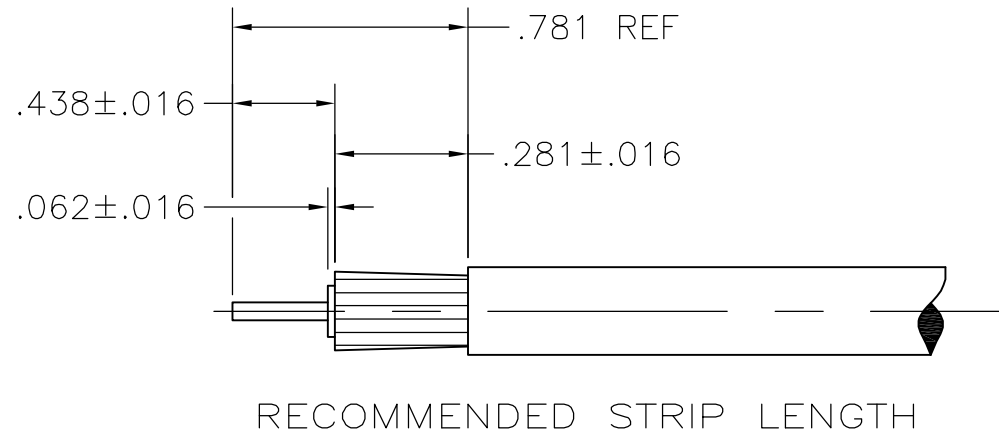
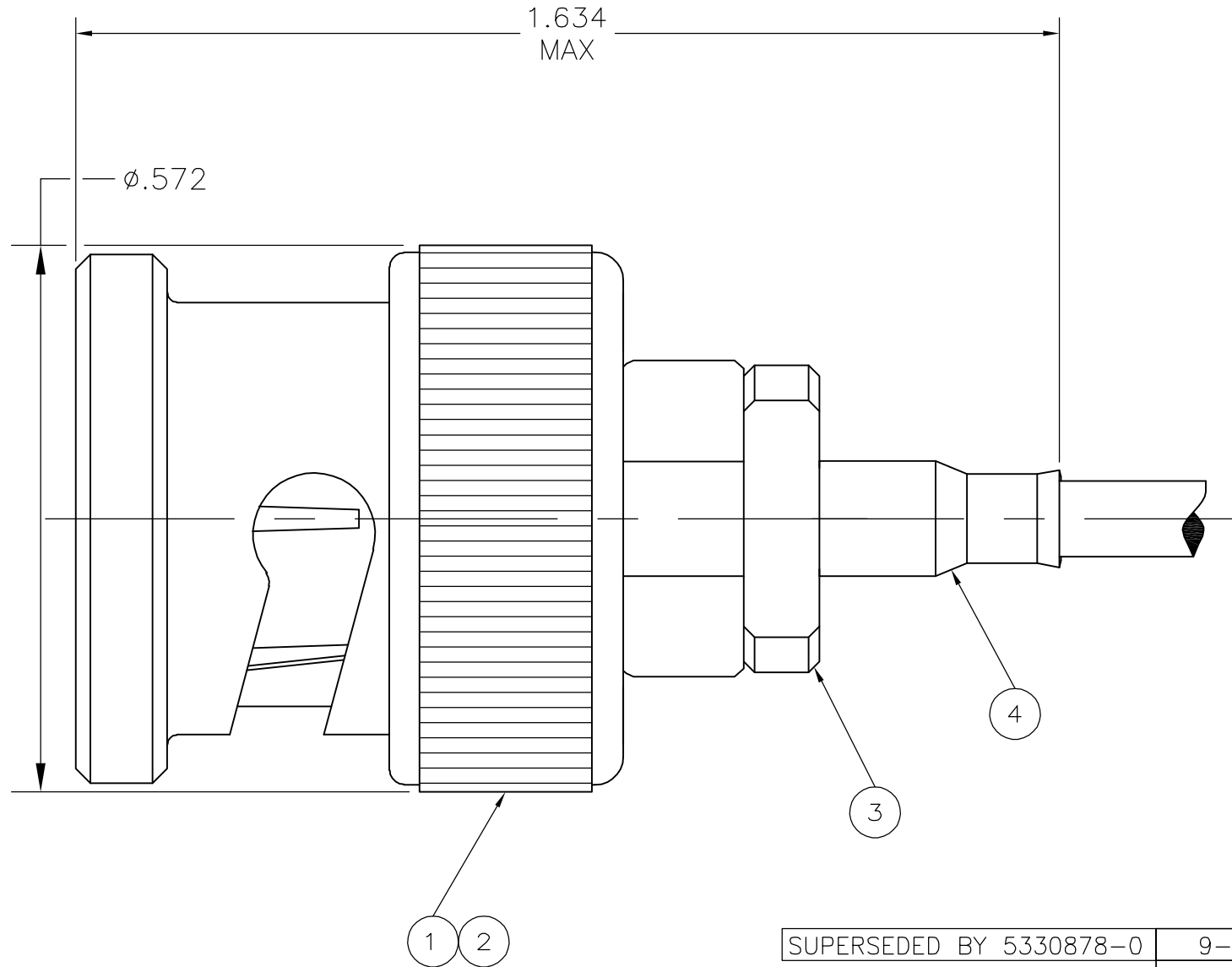


THIS DRAWING IS UNPUBLISHED. RELEASED FOR PUBLICATION  
 © COPYRIGHT - BY TYCO ELECTRONICS CORPORATION. ALL RIGHTS RESERVED.

LOC	DIST	REVISIONS			
P	LTR	DESCRIPTION	DATE	DWN	APVD
AJ	16	J	REVISED PER EC OS14-0173-05	26JULY05	BM JL

- FOR USE WITH: BELDEN 8281, WE 724 & 3049 CABLES.
- CRIMPING TOOL: 69652
- SEE INSTRUCTION SHEET 408-1799-1.



SUPERSEDED BY 5330878-0	9-331256-0	1-50780-7	2-329106-1	9-329327-0	9-330878-0
	9-331256-0	1-50780-7	2-329106-1	329327	330878
(4) FERRULE QTY=1	(3) CRIMP END QTY=1	(2) GASKET QTY=1	(1) PLUG ASSEMBLY QTY=1	PART NUMBER	

THIS DRAWING IS A CONTROLLED DOCUMENT.		DWN M. E. 05-24-83	Tyco Electronics Corporation Harrisburg, Pa 17105-3608														
DIMENSIONS: INCHES		CHK D. HEIDE 08-26-83															
TOLERANCES UNLESS OTHERWISE SPECIFIED:		APVD G. M. 12-09-83	NAME CONNECTOR, COAXIAL RF PLUG, SERIES BNC														
<table border="1"> <tr><td>0 PLC</td><td>± -</td></tr> <tr><td>1 PLC</td><td>± -</td></tr> <tr><td>2 PLC</td><td>± -</td></tr> <tr><td>3 PLC</td><td>± -</td></tr> <tr><td>4 PLC</td><td>± -</td></tr> <tr><td>ANGLES</td><td>± -</td></tr> </table>		0 PLC	± -	1 PLC	± -	2 PLC	± -	3 PLC	± -	4 PLC	± -	ANGLES	± -	PRODUCT SPEC -	RESTRICTED TO -		
0 PLC	± -																
1 PLC	± -																
2 PLC	± -																
3 PLC	± -																
4 PLC	± -																
ANGLES	± -																
MATERIAL		APPLICATION SPEC -	SIZE A3	CAGE CODE 00779	DRAWING NO G-330878												
FINISH		WEIGHT .458 OZ	SCALE NTS														
		CUSTOMER DRAWING		SHEET 1 OF 1	REV J												

单击下面可查看定价，库存，交付和生命周期等信息

[>>TE Connectivity\(泰科\)](#)