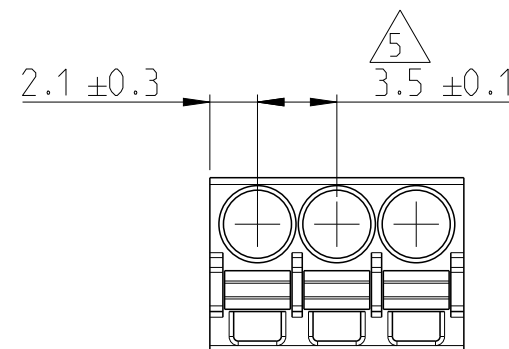
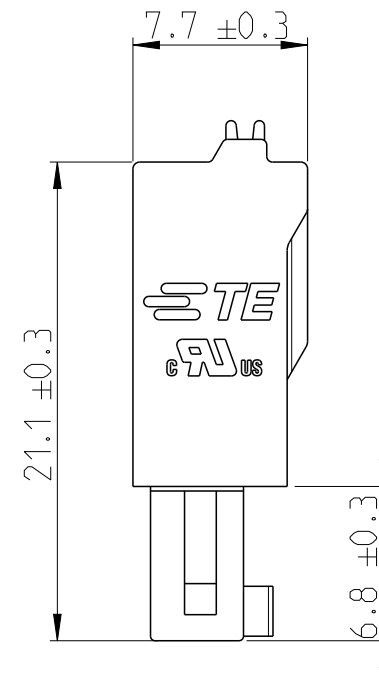
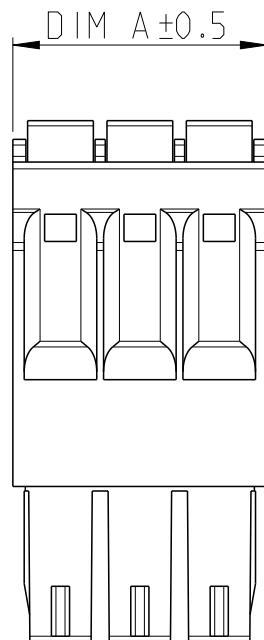


| P | LTR | DESCRIPTION | DATE | DWN | APVD |
|---|-----|-------------------------|-----------|-----|------|
| A | | RELEASED FOR PRODUCTION | 06AUG2019 | RK | PS |

1:1



NOTES:

- MATERIALS & FINISH
 HOUSING : PA66, UL94 V0, COLOR - GREEN
 PUSH BUTTON : PA66, COLOR - ORANGE.
 CONTACT : COPPER ALLOY, TIN PLATED
 SPRING : STAINLESS STEEL
- MECHANICAL
 WIRE STRIPPING LENGTH : 9.0-10.0 mm
- ELECTRICAL
 WIRE RANGE : 16-24 AWG
 RATED VOLTAGE : 150V
 RATED CURRENT : 8A
 INSULATION RESISTANCE : >2000 M Ohm (500V DC)
- OPERATING TEMPERATURE RANGE : -40°C TO +105°C

△ TOLERANCE NOT CUMULATIVE

| | | |
|-------|------------|-------------|
| 56.7 | 16 | 1-2350398-6 |
| 53.2 | 15 | 1-2350398-5 |
| 49.7 | 14 | 1-2350398-4 |
| 46.2 | 13 | 1-2350398-3 |
| 42.7 | 12 | 1-2350398-2 |
| 39.2 | 11 | 1-2350398-1 |
| 35.7 | 10 | 1-2350398-0 |
| 32.2 | 9 | 2350398-9 |
| 28.7 | 8 | 2350398-8 |
| 25.2 | 7 | 2350398-7 |
| 21.7 | 6 | 2350398-6 |
| 18.2 | 5 | 2350398-5 |
| 14.7 | 4 | 2350398-4 |
| 11.2 | 3 | 2350398-3 |
| 7.7 | 2 | 2350398-2 |
| DIM A | NO. OF POS | PART NUMBER |

| | | | | | | | |
|--|--|--------------------------------|---|--------------------|-------------------------|--------------------|----------|
| THIS DRAWING IS A CONTROLLED DOCUMENT. | | DWN 05APR2019 RAGHAVENDRA.K | TE Connectivity | | | | |
| DIMENSIONS: mm | | CHK 01JUL2019 KARTHIK.JK | | | | | |
| TOLERANCES UNLESS OTHERWISE SPECIFIED: | | APVD 02JUL2019 PRASHANTH.S | NAME SPRING FEMALE PLUG, GREEN 3.50mm PITCH | | | | |
| | | PRODUCT SPEC - | APPLICATION SPEC - | | | | |
| MATERIAL SEE NOTES | | FINISH SEE NOTES | SIZE A3 | CAGE CODE 00779 | DRAWING NO C-2350398 | RESTRICTED TO - | |
| - | | WEIGHT - | CUSTOMER DRAWING | | SCALE 3:1 | SHEET 1 OF 1 | REV A |

单击下面可查看定价，库存，交付和生命周期等信息

[>>TE Connectivity\(泰科\)](#)