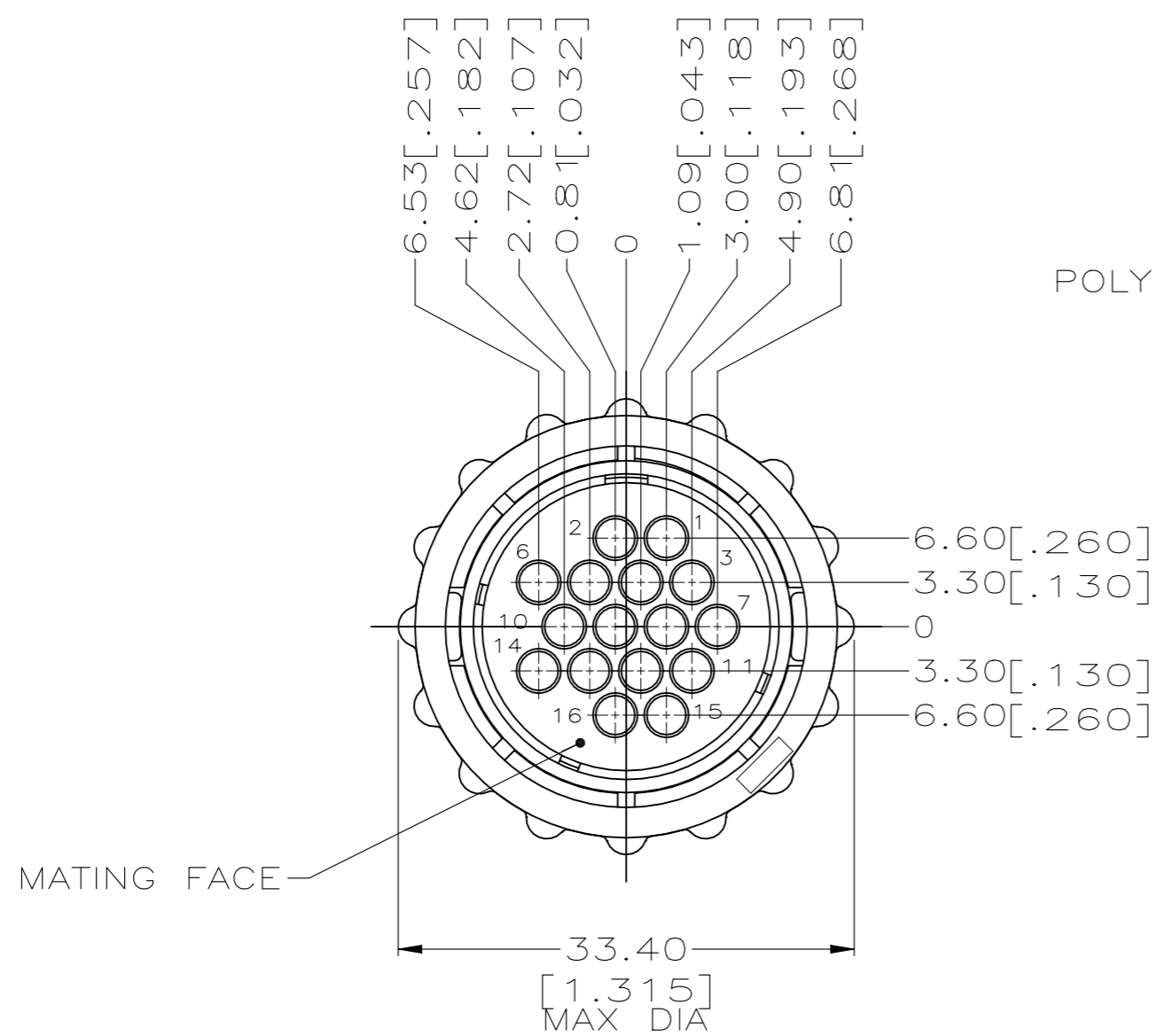


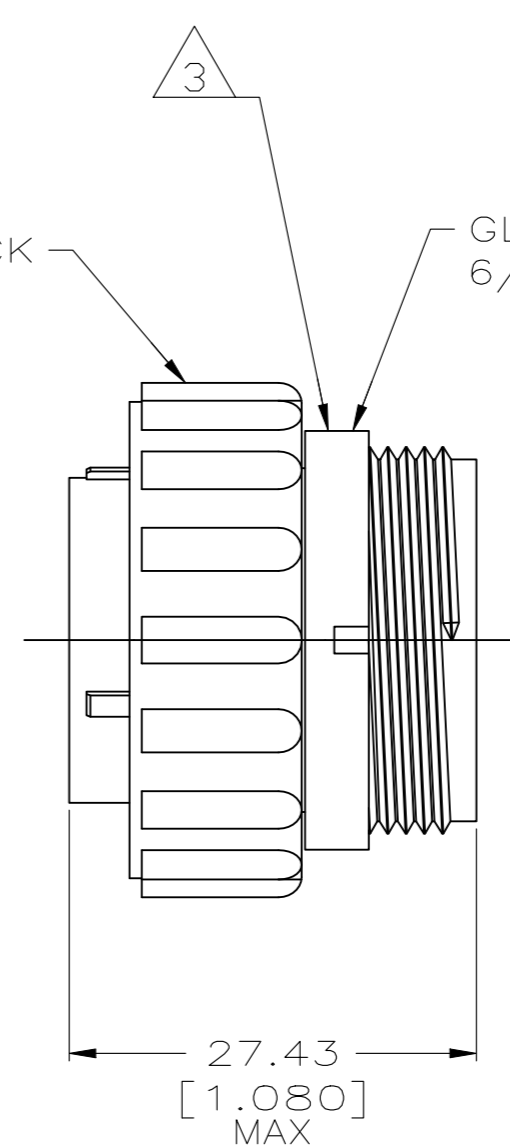
REVISIONS

P	LTR	DESCRIPTION	DATE	DWN	APVD
	C	ECO-21-006943	13OCT2021	RK	MZ



POLYESTER, BLACK

GLASS FILLED NYLON, 6/6, BLACK



MATING FACE

- CONTACT CAVITIES IDENTIFIED BY CHARACTERS ON FRONT AND REAR FACES OF CONNECTOR.
  - THIS CONNECTOR WILL ACCEPT (16) MULTIMATE SOCKET CONTACTS.
- TE LOGO AND PART NUMBER LOCATED ANYWHERE ON THIS SURFACE

213849-1  
PART NO.

THIS DRAWING IS A CONTROLLED DOCUMENT.		DWN K.FOLTZ 01/04/95	TE Connectivity NAME PLUG ASSEMBLY, STANDARD SEX, SIZE 17, SERIES I, CPC														
DIMENSIONS: mm[INCHES]		CHK R.STONE 01/09/95															
TOLERANCES UNLESS OTHERWISE SPECIFIED:		APVD T.COULSON 01/10/95	PRODUCT SPEC														
<table border="0"> <tr><td>0 PLC</td><td>± -</td></tr> <tr><td>1 PLC</td><td>± -</td></tr> <tr><td>2 PLC</td><td>± 0.13 [.005]</td></tr> <tr><td>3 PLC</td><td>± -</td></tr> <tr><td>4 PLC</td><td>± -</td></tr> <tr><td>ANGLES</td><td>± -</td></tr> </table>		0 PLC	± -	1 PLC	± -	2 PLC	± 0.13 [.005]	3 PLC	± -	4 PLC	± -	ANGLES	± -	APPLICATION SPEC		SIZE	RESTRICTED TO
0 PLC	± -																
1 PLC	± -																
2 PLC	± 0.13 [.005]																
3 PLC	± -																
4 PLC	± -																
ANGLES	± -																
MATERIAL SEE CALLOUTS		FINISH -		WEIGHT -	CAGE CODE 00779												
CUSTOMER DRAWING			DRAWING NO C-213849	SCALE 2:1	SHEET 1 OF 1												
			REV C														

单击下面可查看定价，库存，交付和生命周期等信息

[>>TE Connectivity\(泰科\)](#)