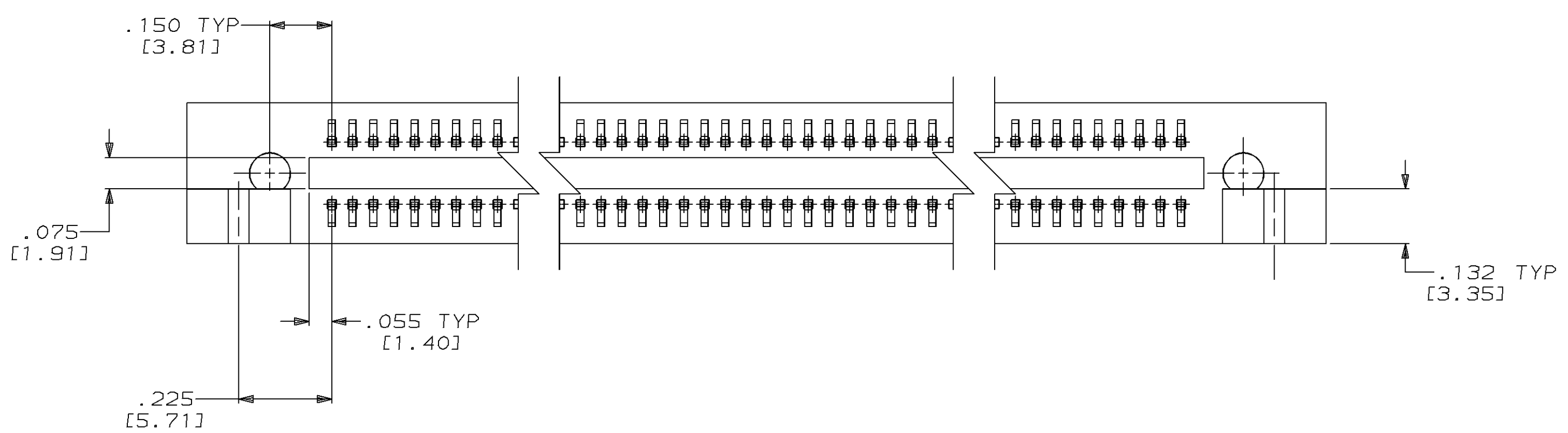
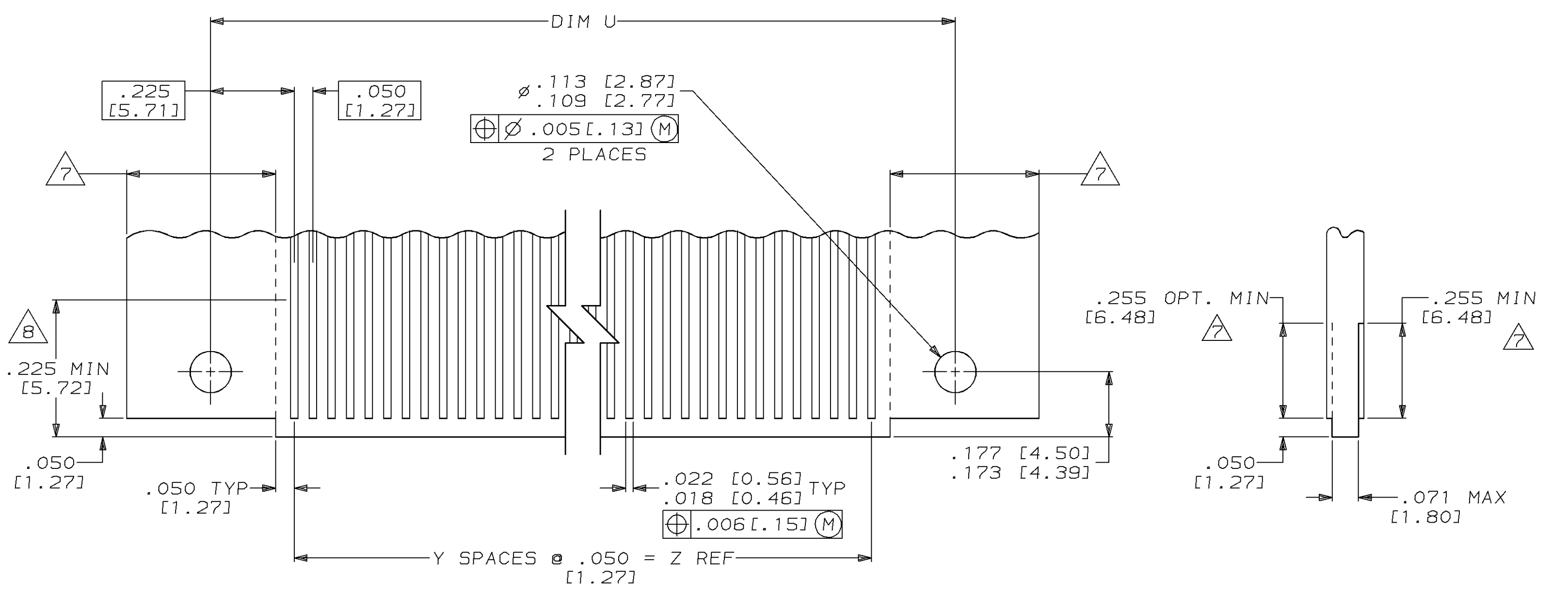
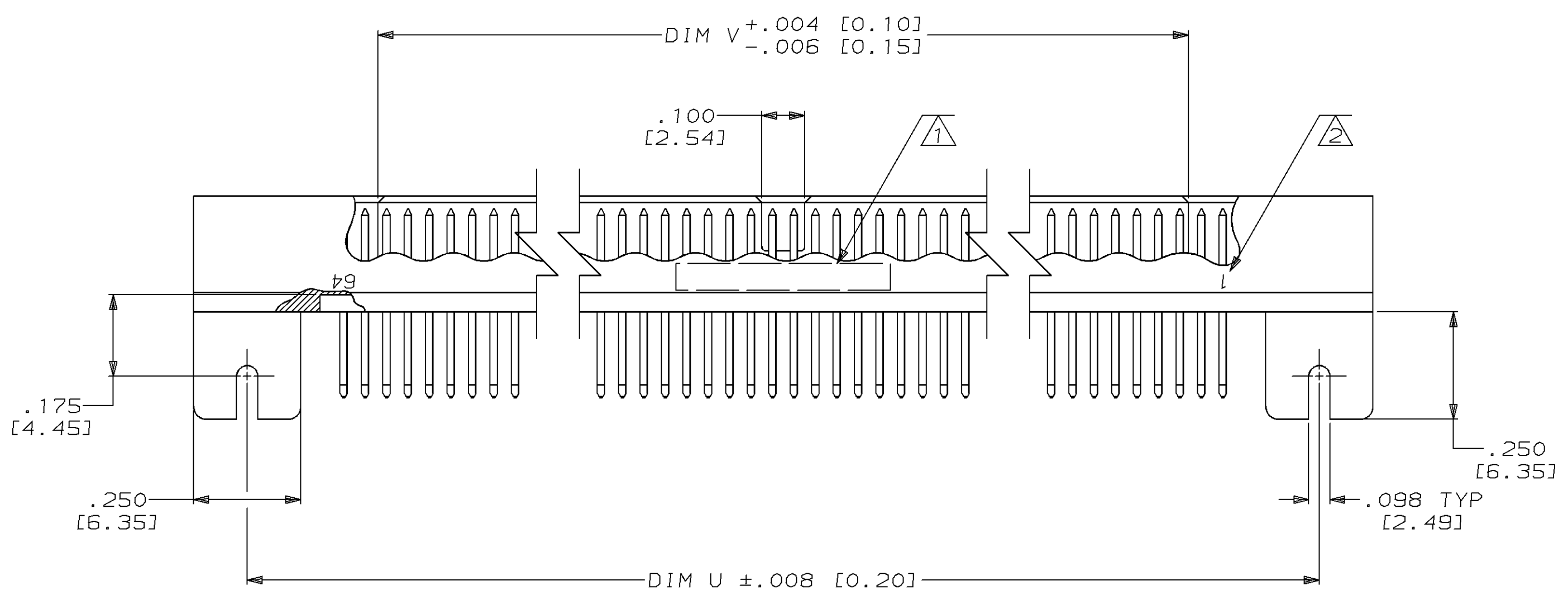
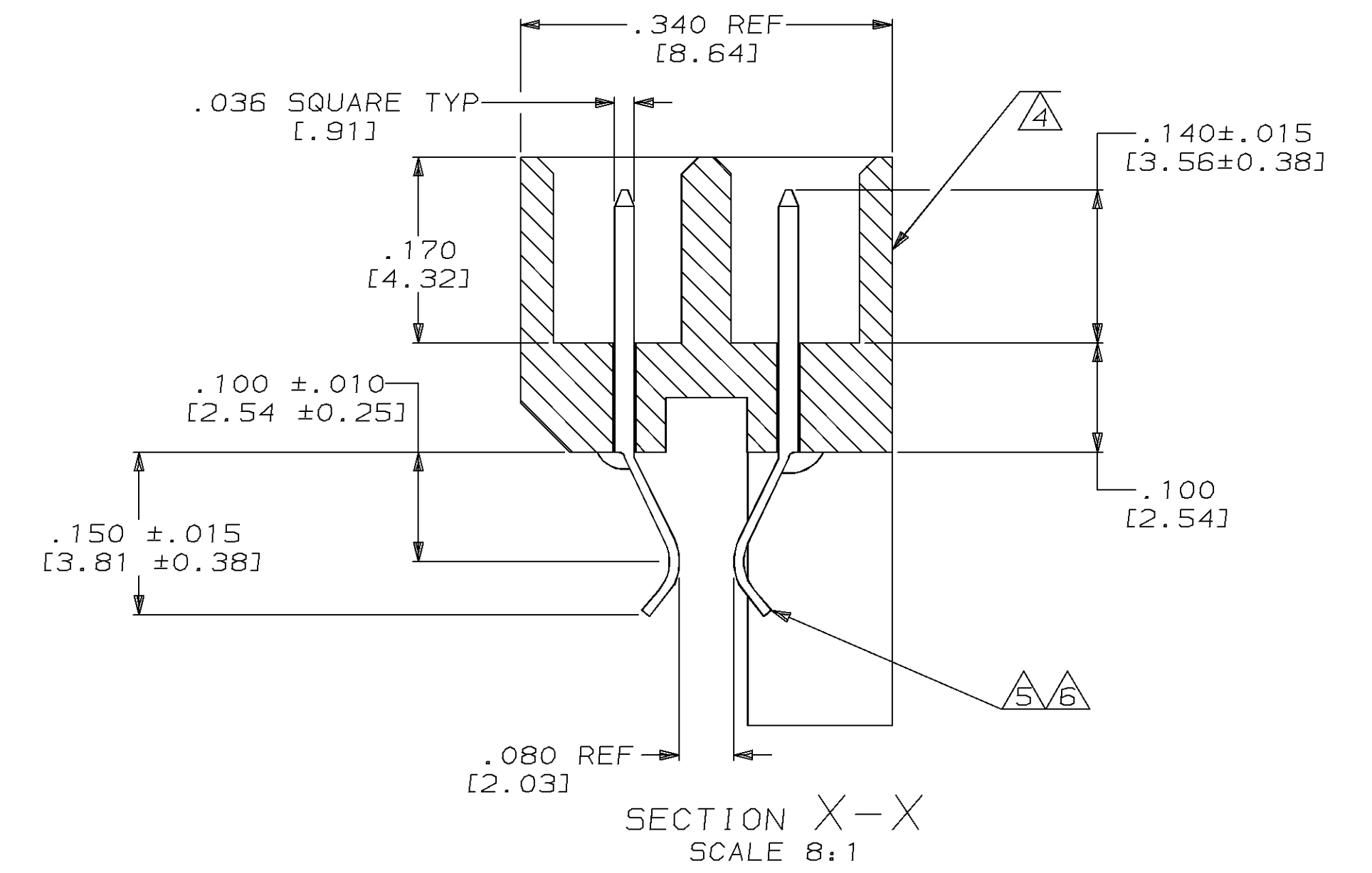
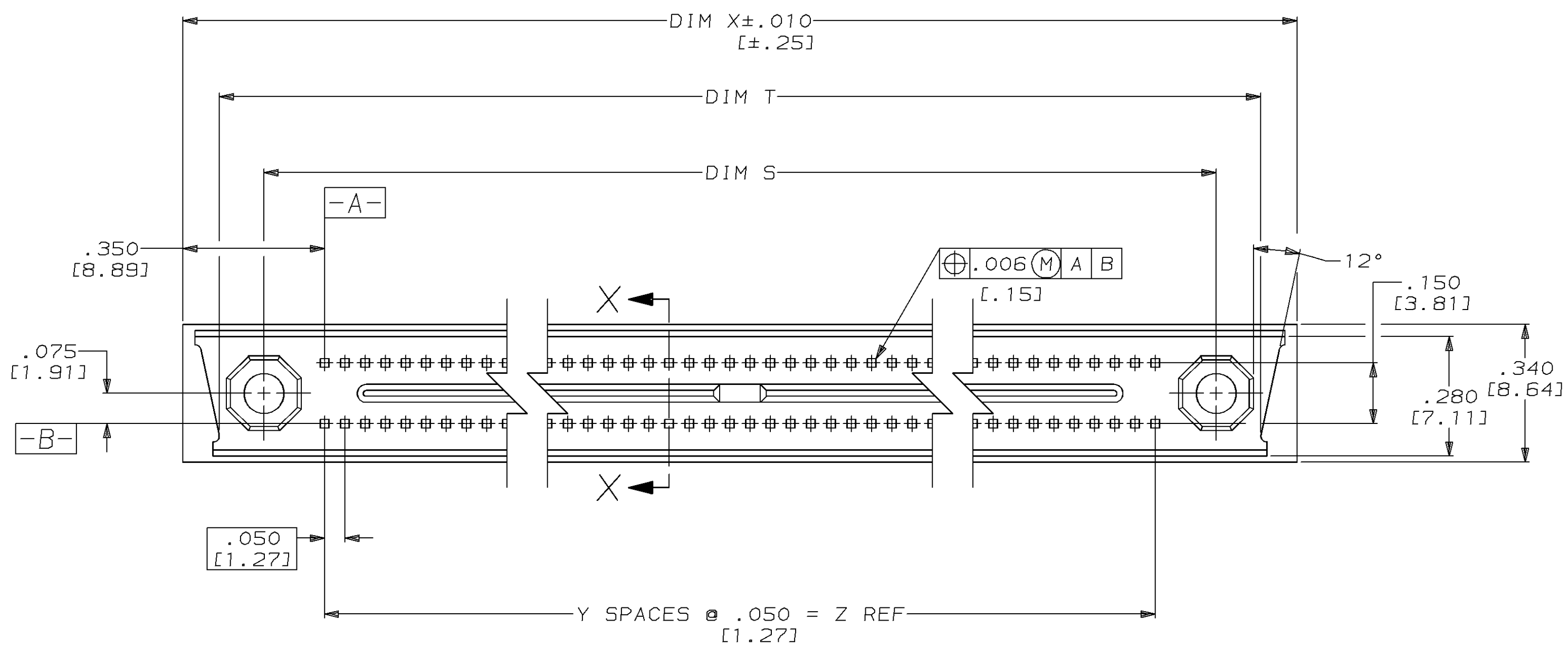


PROD		LOC	DIST	P		F		ZONE		LTR		REVISIONS				
CODE	DF	FO										DESCRIPTION	DATE	APPD		
5327	DF	FO										A	REV PER DF-5332	A. G.	1-92	DG
												B	REV PER 0600-1388-93	TA	5-4-94	DG



- ⚠ AMP, PART NUMBER & DATE CODE MARKED IN THIS APPROXIMATE AREA.
- ⚠ NUMBERS INDICATING END POSITIONS MARKED THIS SIDE ONLY.
- 3. MEET ALL APPLICABLE REQUIREMENTS OF MIL-C-55302.
- ⚠ HOUSING MATERIAL: LIQUID CRYSTAL POLYMER PER MIL-M-24519, GLCP-30F; COLOR: GRAY.
- ⚠ CONTACT MATERIAL: BRASS.
- ⚠ CONTACT FINISH: TABS TIN-LEAD PLATED FOR SOLDERABILITY OVER NICKEL PER MIL-C-55302, GOLD IN CONTACT AREA.
- ⚠ ON THE SIDE OF THE BOARD THAT INTERFACES WITH CONNECTOR EAR, THE BOARD SHOULD BE NO THICKER THAN THE CORE FITTING INTO THE REAR OF CONNECTOR SLOT.
- ⚠ MINIMUM PAD LENGTH ON CIRCUIT BOARD.

414-3053-002	1 - 64	3.150 [80.01]	63	3.850 [97.79]	2.990 [75.95]	3.600 [91.44]	3.670 [93.22]	3.450 [87.63]	128	532765-1
CUSTOMER PART NUMBER	CAVITY IDENTIFICATION	DIM Z	DIM Y	DIM X	DIM V	DIM U	DIM T	DIM S	NUMBER OF CONTACTS	PART NUMBER

DO NOT SCALE PRINT. UNLESS SPECIFIED DIMENSIONS IN INCHES [mm] TOLERANCES ON + 2 PLC DEC ± 3 PLC DEC ± .005 [0.13] ANGLES ± 0° 30'	DR 2-15-91 T. SHUEY	AMP AMP Incorporated Harrisburg, PA 17105-3608 NAME ASSEMBLY, PIN HEADER, MINI-BOX, SHROUDED, CARD EXTENDER SIZE D CAGE CODE 00779 DRAWING NO 532765 SCALE 4:1
MATERIAL	CHK 1-2-92 D.GUTTER	
FINISH	APPD 1-2-92 D.GUTTER	
	APPD 1-2-92 D.GUTTER	
	PRODUCT SPEC	
	APPLICATION SPEC	
	WEIGHT	

单击下面可查看定价，库存，交付和生命周期等信息

[>>TE Connectivity\(泰科\)](#)