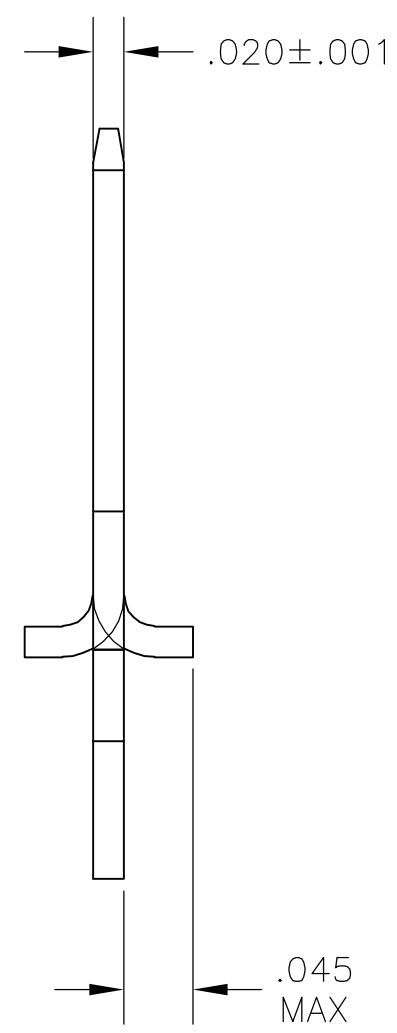
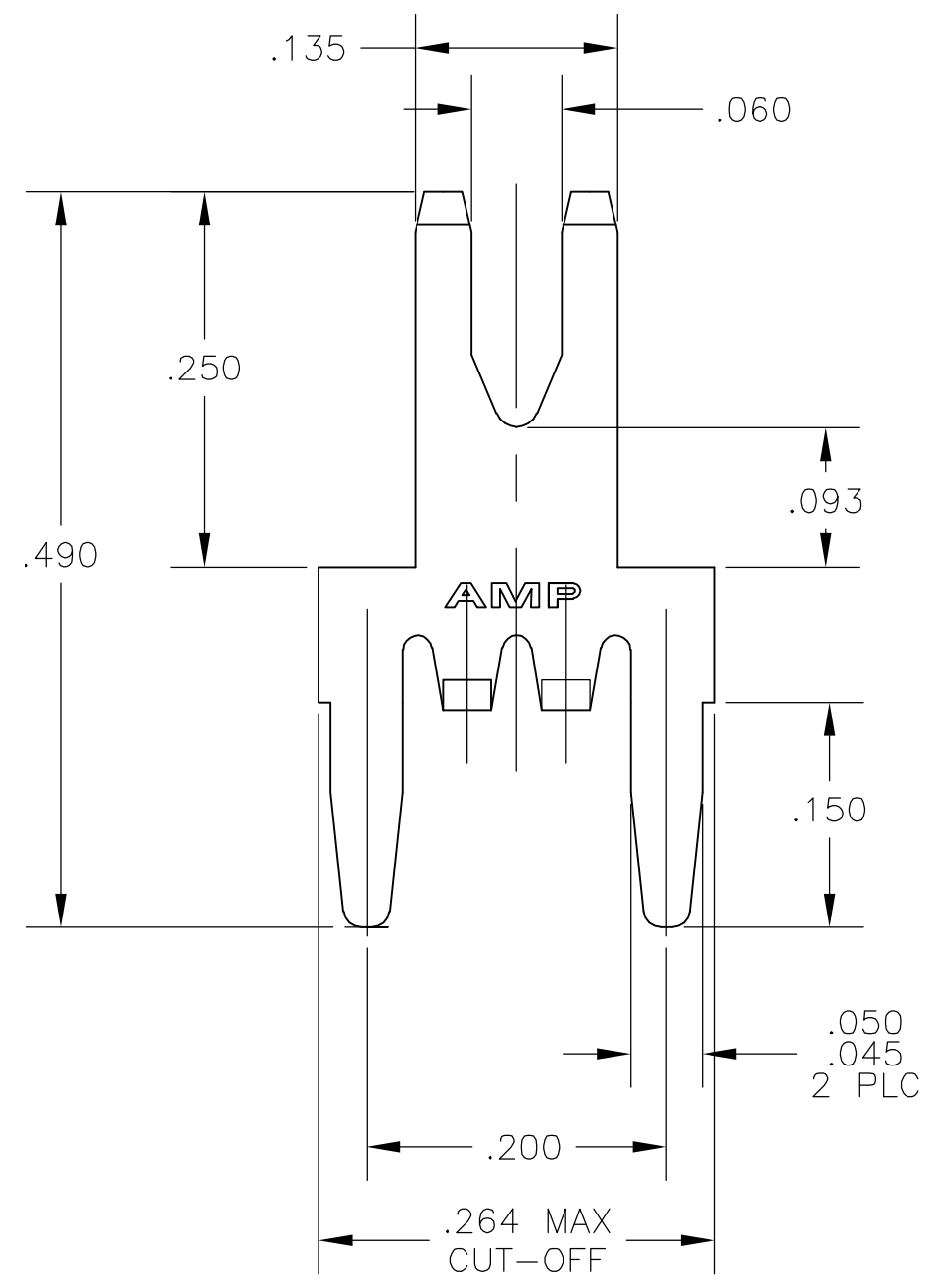
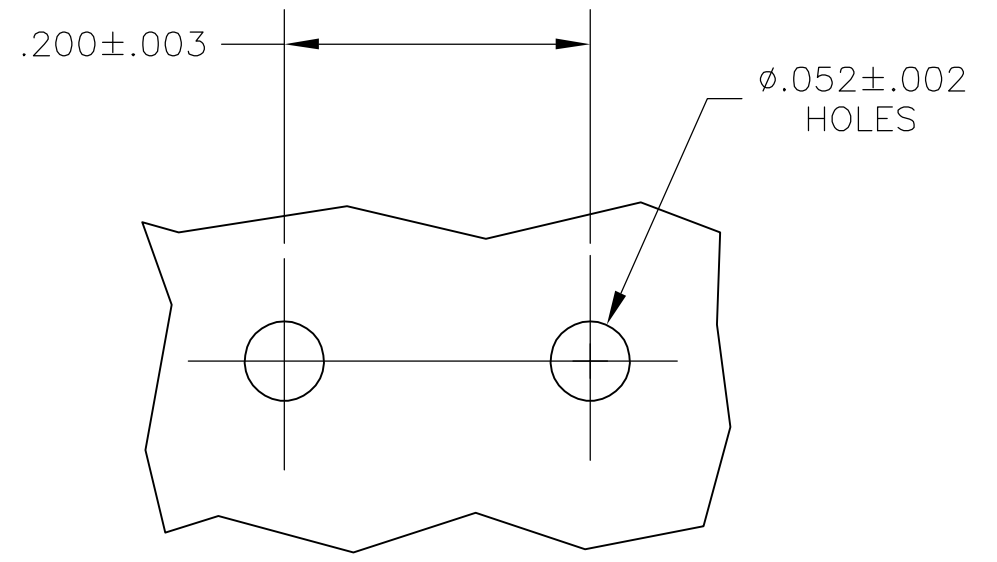


THIS DRAWING IS UNPUBLISHED. RELEASED FOR PUBLICATION
 © COPYRIGHT BY TYCO ELECTRONICS CORPORATION. ALL RIGHTS RESERVED.

LOC	DIST	REVISIONS					
AF	50	P	LTR	DESCRIPTION	DATE	DWN	APVD
		B		REV PER ECR 06-001838	27FEB06	JR	KR



- 1 SUPPLIED IN LOOSE PIECE
- 2 TIN PLATE .000150 MIN OVER .000100 MIN THK COPPER OR TIN PLATE .000150 MIN OVER .000050 MIN NICKEL.



P.C. BOARD HOLE PATTERN

1217041-1
PART NO.

THIS DRAWING IS A CONTROLLED DOCUMENT.		DWN JR RUTH 21MAR01	Tyco Electronics Corporation Harrisburg, PA 17105-3608													
DIMENSIONS: INCHES		CHK MS FEHER 13FEB01														
TOLERANCES UNLESS OTHERWISE SPECIFIED:		APVD N DEIBERT 13FEB01	NAME TAB, POK-IN, P.C.BOARD MOUNTED													
<table border="0"> <tr><td>0 PLC</td><td>± -</td></tr> <tr><td>1 PLC</td><td>± -</td></tr> <tr><td>2 PLC</td><td>± .010</td></tr> <tr><td>3 PLC</td><td>± -</td></tr> <tr><td>4 PLC</td><td>± -</td></tr> <tr><td>ANGLES</td><td>± -</td></tr> </table>		0 PLC	± -	1 PLC	± -	2 PLC	± .010	3 PLC	± -	4 PLC	± -	ANGLES	± -	PRODUCT SPEC -	RESTRICTED TO -	
0 PLC	± -															
1 PLC	± -															
2 PLC	± .010															
3 PLC	± -															
4 PLC	± -															
ANGLES	± -															
MATERIAL 082 BRASS		FINISH - 2	APPLICATION SPEC 114-2112	SIZE A3	CAGE CODE 00779	DRAWING NO C-1217041	SCALE 8:1	SHEET 1 of 1	REV B							
CUSTOMER DRAWING																

单击下面可查看定价，库存，交付和生命周期等信息

[>>TE Connectivity\(泰科\)](#)