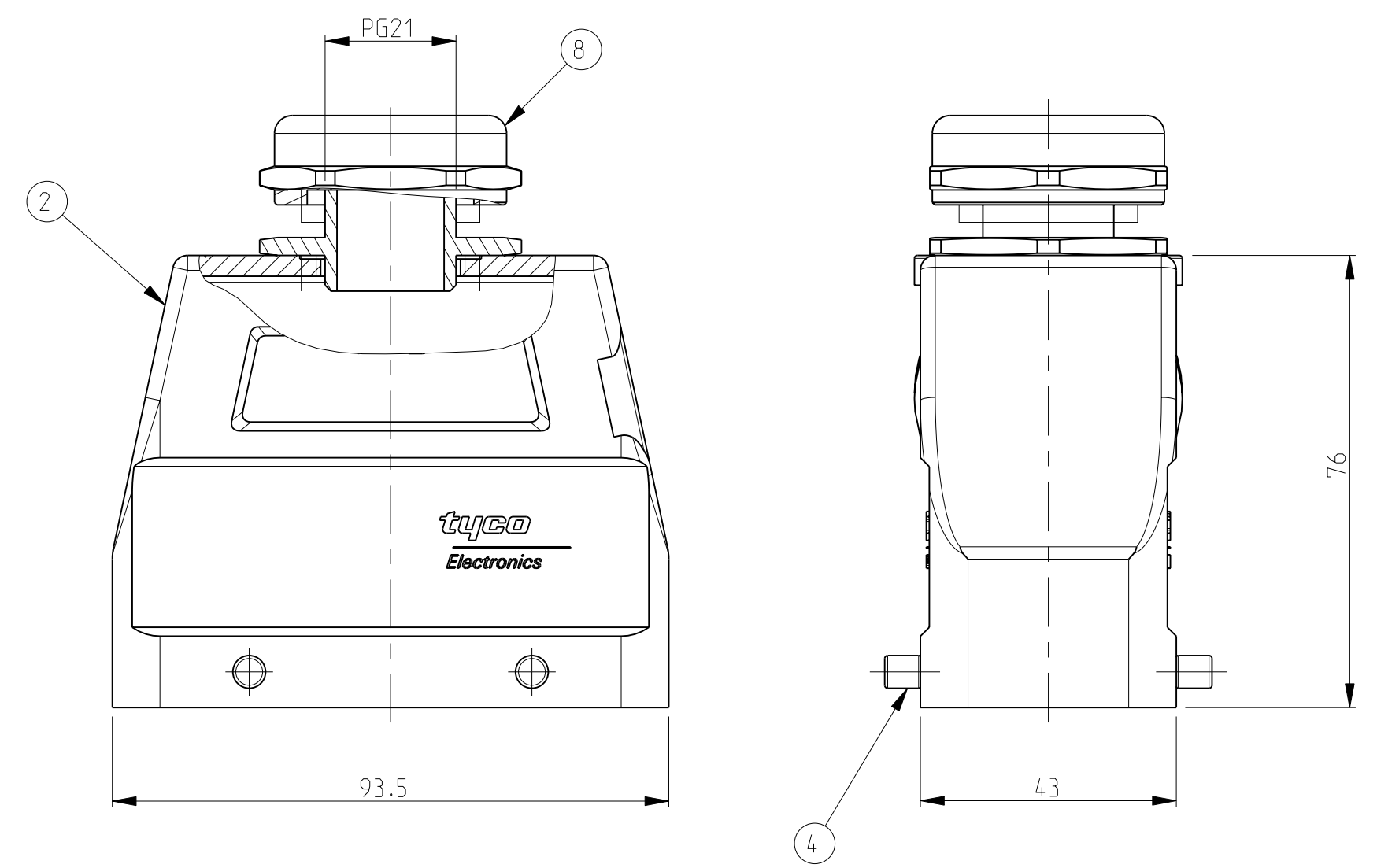
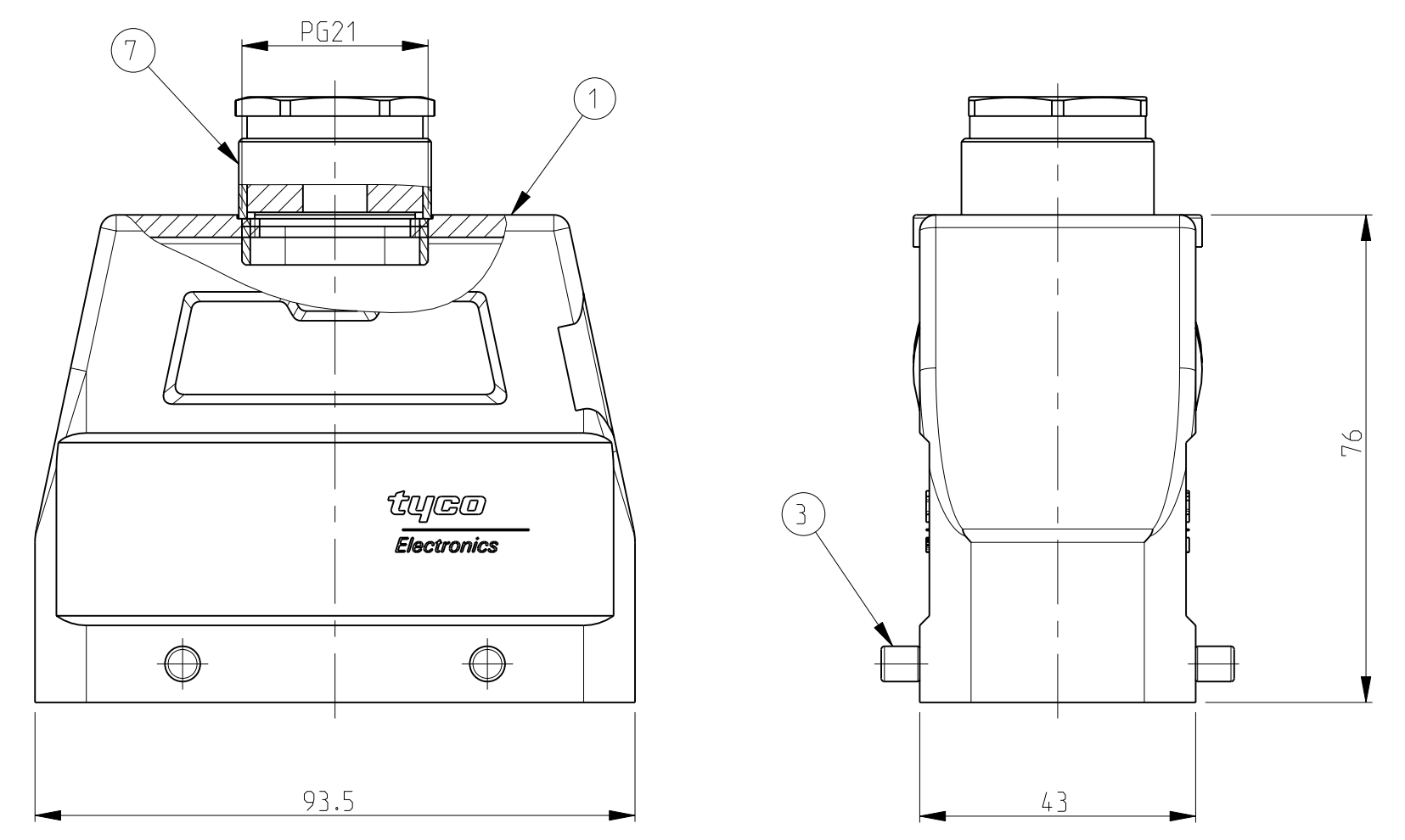


LOC	DIST	REVISIONS					
		P	LTR	DESCRIPTION	DATE	DWN	APVD
A1	-	A2		Released as per ECR-07-012890	17-07-2007	SK	TS

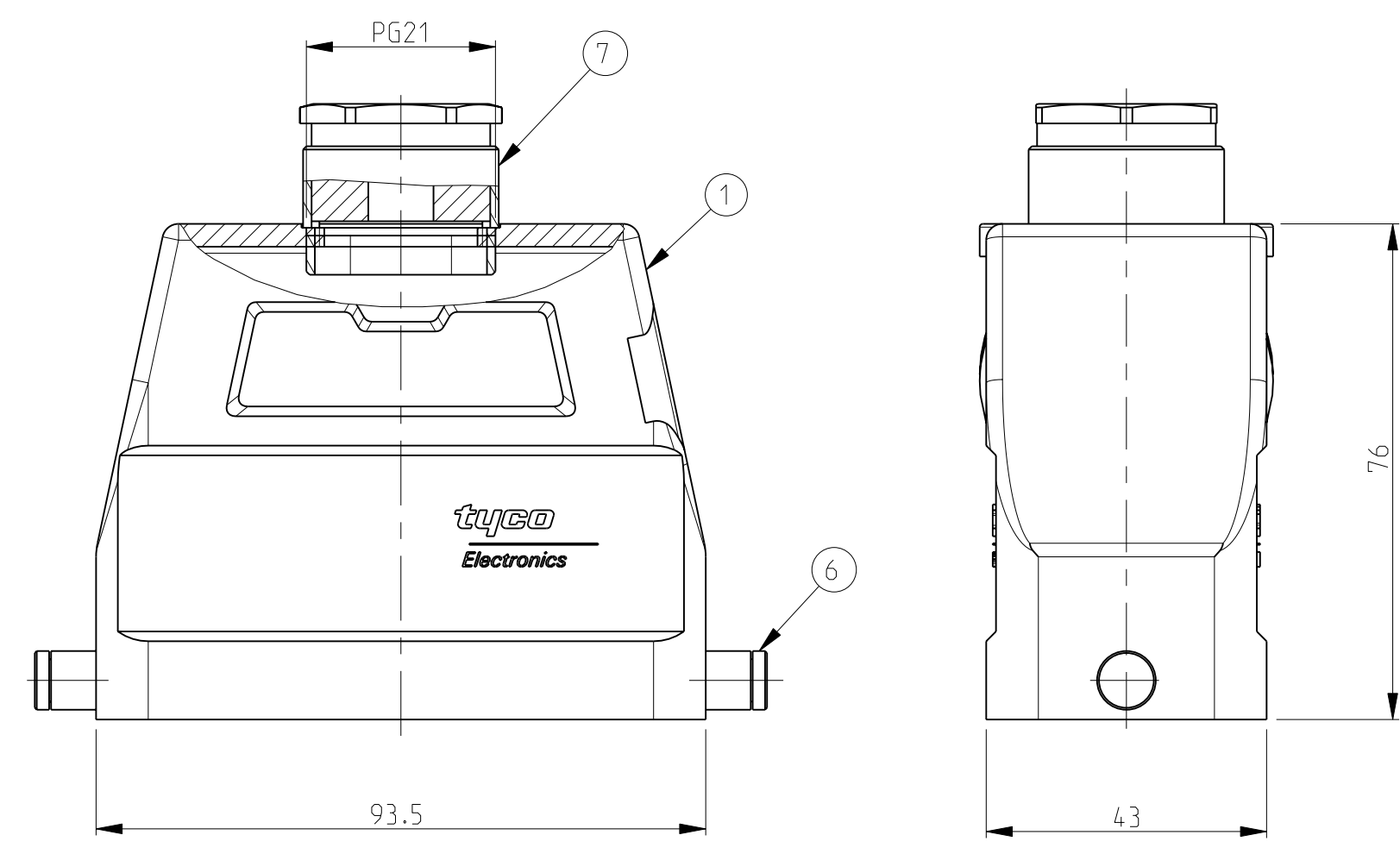
PN 2-6



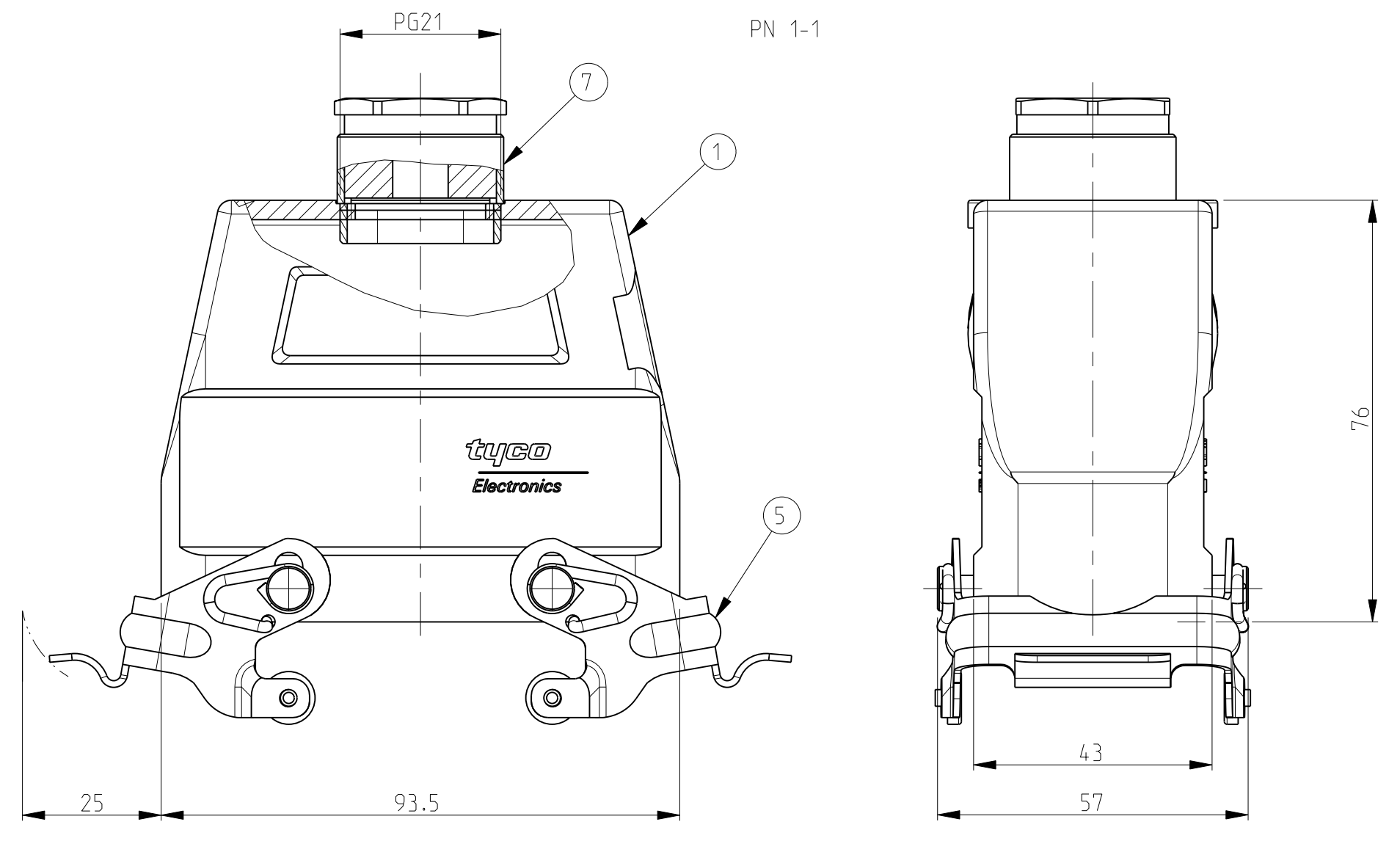
PN 1-6



PN 1-7

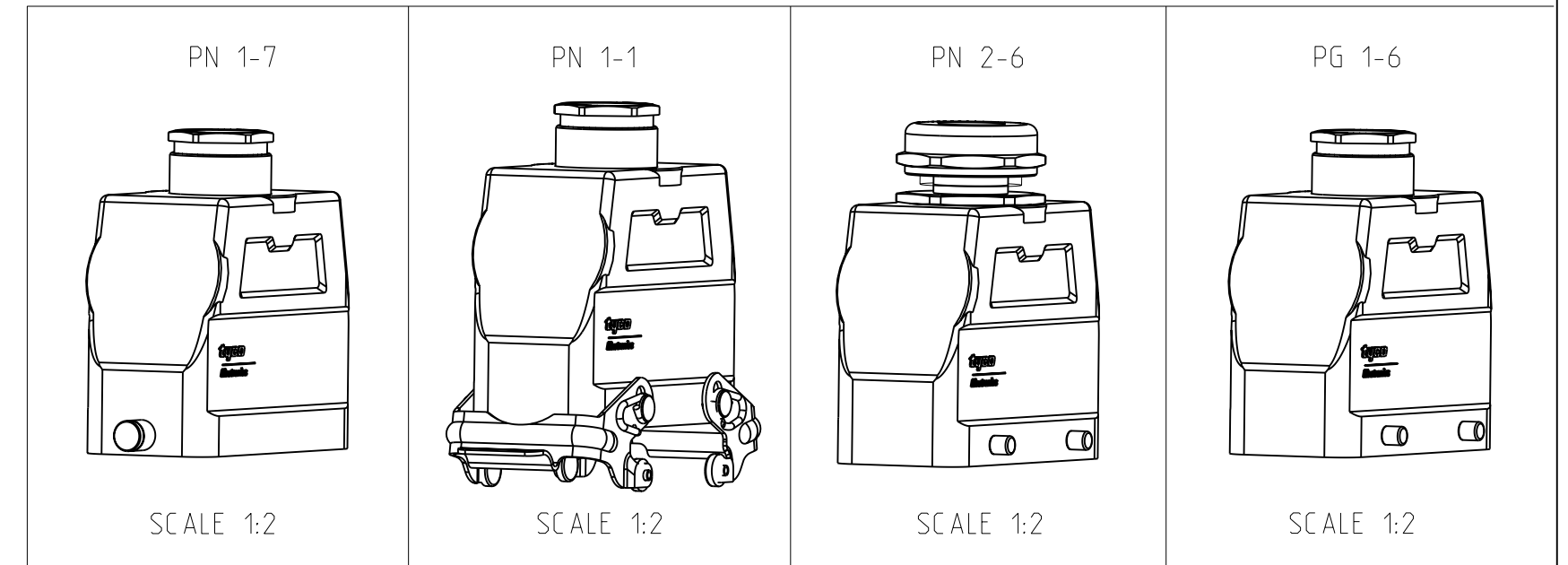


PN 1-1



NOTES

- 1 Material: Housing: aluminium diecasting alloy
- 2 Surface:- varnish-grey  
-Aluminium oxid+  
Varnish black
- 3 Varnish on the inside not necessarily
- 4 Packaging quantity 5 piece in a box



QTY	ITEM NO	DESCRIPTION	MATERIAL	SURFACE	COLOR	ITEM NO	NOTES
1	1	Gland fitting	Brass	Nickel plated	Blue	8	PG21
1	1	Gland round	Brass	Nickel plated	Blue	7	PG21
2		LB-Clip bolt	Steel	Zinc plated	Blue	6	-
	2	VS-Side clip	Steel	Zinc plated	Blue	5	-
	4	VS-Clip bolt	Stainless Steel	Even	-	4	-
	4	VS-Clip bolt	Steel	Zinc plated	Blue	3	-
	1	HD-K Hood	Aluminium	Aluminium oxide	Black	2	-
1	1	HD Hood	Aluminium	-	Gray	1	-

1-7	1-1	2-6	1-6	DESCRIPTION	MATERIAL	SURFACE	COLOR	ITEM NO	NOTES
ORDERING TEXT									
HD.40.STO.1.21									
HD-K.40.STO.1.21									
HD.40.STO-VS.1.21									
HD.40.STO-GR.1.21									

DIMENSIONS: mm		TOLERANCES UNLESS OTHERWISE SPECIFIED:		DWN: Schneider 16.07.2003		CWX: Schneider 16.07.2003		APVD: Schneider		NAME: HOOB HD.40.STO.1.21	
MATERIAL		FINISH		PRODUCT SPEC		APPLICATION SPEC		WEIGHT		CUSTOMER DRAW ING	
SCALE 1:1		SHEET 1 OF 1		REV. A2		SIZE CAGE CODE DRAWING NO		RESTRICTED TO		A   00779 C=1102568	

单击下面可查看定价，库存，交付和生命周期等信息

[>>TE Connectivity\(泰科\)](#)