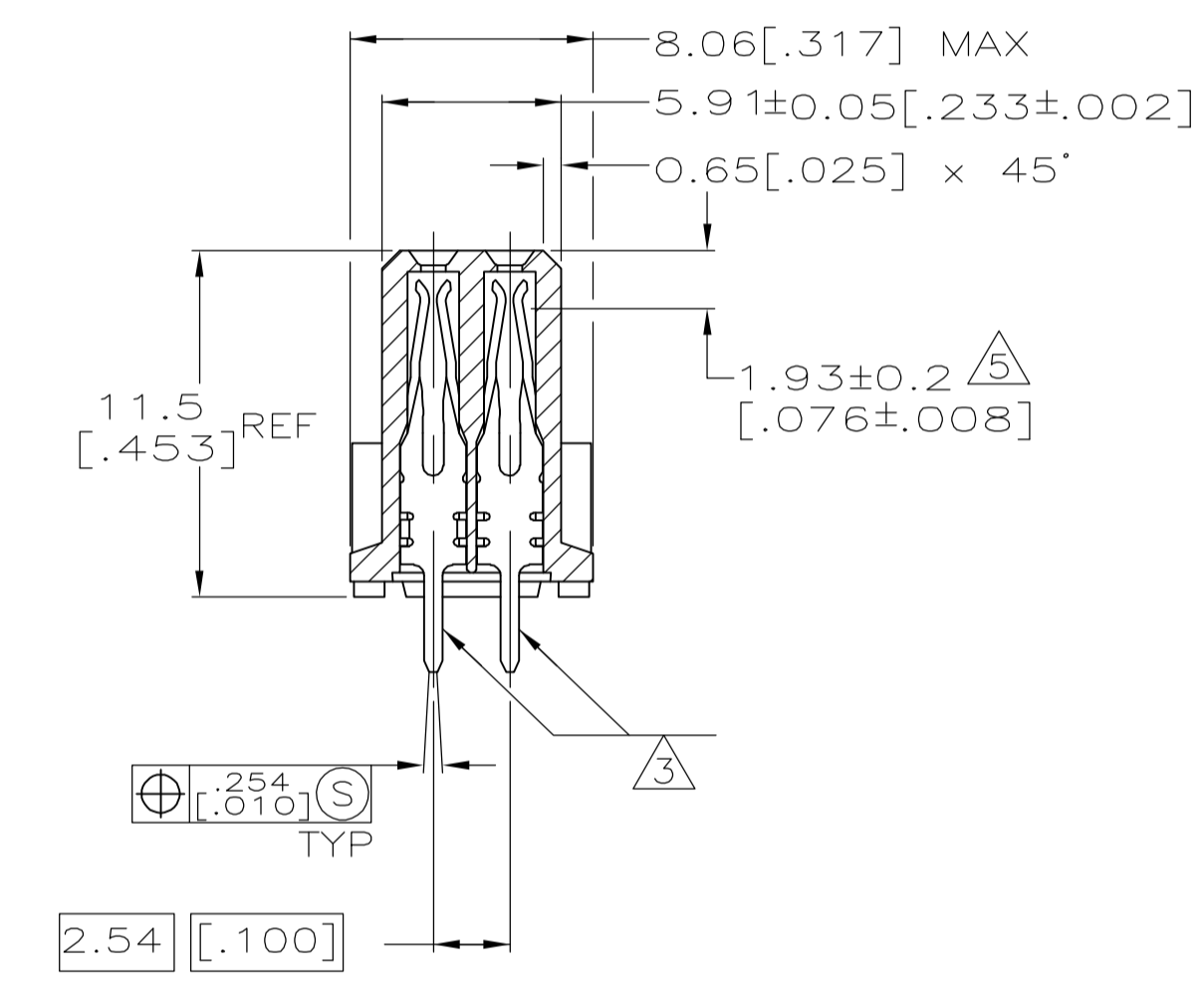
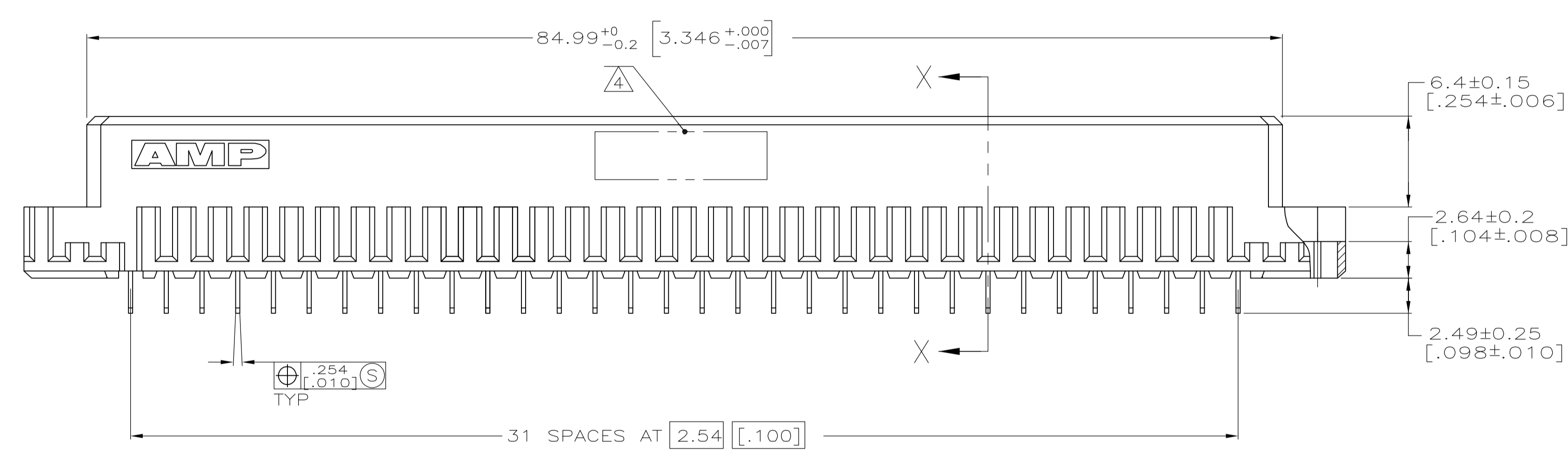
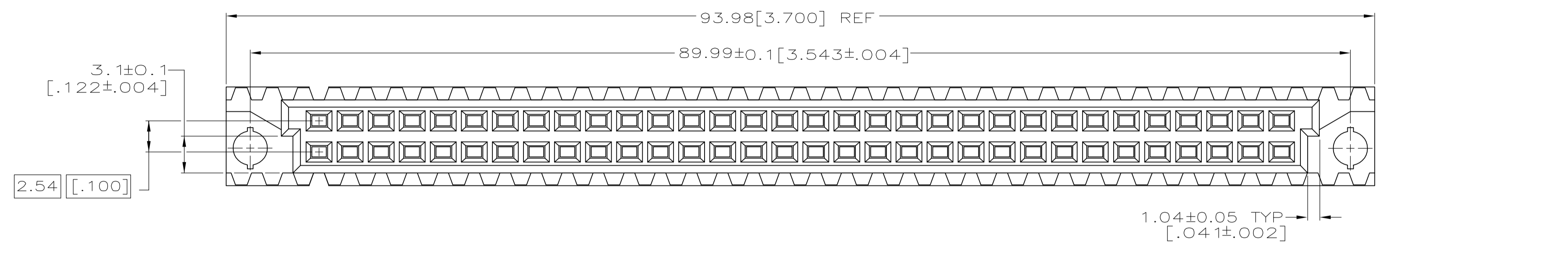
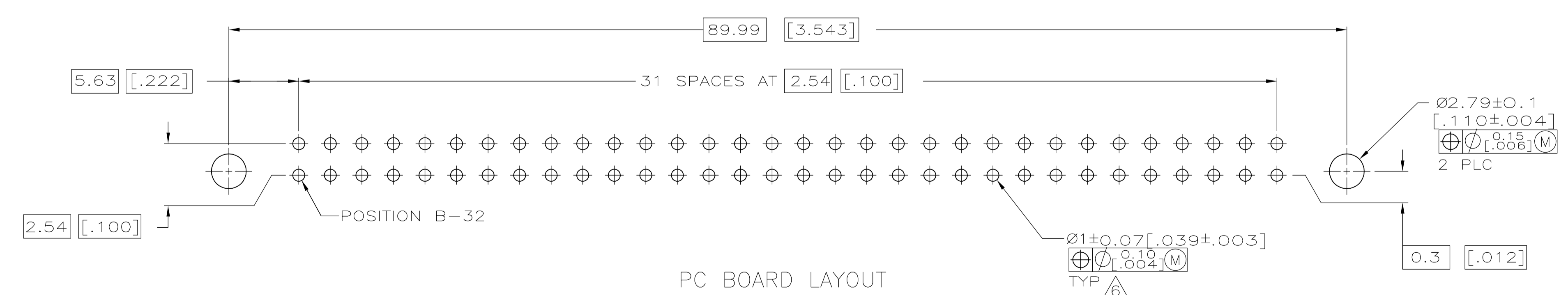
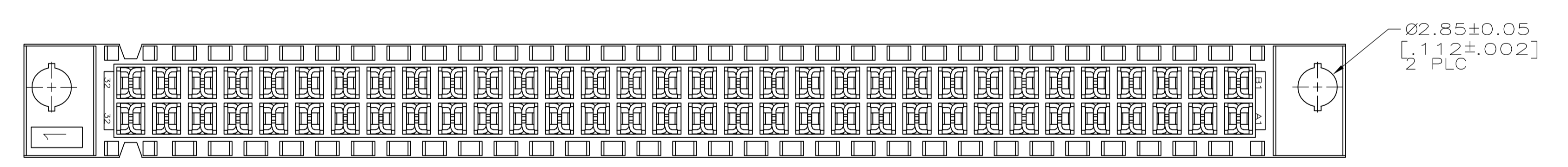


- 1 HOUSING MATERIAL: GLASS-FILLED POLYMER.
- 2 CONTACT MATERIAL: COPPER ALLOY.
- 3 CONTACT FINISH: DIN 41612 CLASS 2 IN CONTACT AREA. TIN PLATE ON POSTS.
- 4 PART NUMBER, DATE CODE IDENTIFICATION, CSA LOGO IN THIS APPROXIMATE AREA, ON REVERSE SIDE.
- 5 CONTACT POINT.
- 6 RECOMMENDED HOLE SIZE FOR MANUAL APPLICATION OF CONNECTOR ONTO PC BOARD.



SECTION X-X



PC BOARD LAYOUT

| | | | | |
|------------------|---|---|-------------------------|------------------|
| 1 THRU 32 | X | X | 64 | 5650859-5 |
| POSITIONS LOADED | B | A | NO. OF LOADED POSITIONS | ASSY PART NUMBER |

| | | | | | |
|--|---------------------|--------------------------|--|--|--|
| THIS DRAWING IS A CONTROLLED DOCUMENT. | | DIN J. POLIGNONE 03JUN05 | | Tyco Electronics Corporation | |
| DIMENSIONS: mm [INCHES] | | CIRK A. SHARPE 03JUN05 | | Harrisburg, Pa 17105-3608 | |
| TOLERANCES UNLESS OTHERWISE SPECIFIED: | | APVD A. SHARPE 03JUN05 | | NAME | |
| 0 PLC ± - | 1 PLC ± - | PRODUCT SPEC | | ASSEMBLY, RECEPTACLE, EUROCARD, TYPE B, LEAD-FREE, 64 POSITION, 2.49 [.098] SOLDER POSTS | |
| 2 PLC ± - | 3 PLC ± 0.13 [.005] | APPLICATION SPEC | | SIZE | |
| 4 PLC ± - | ANGLES ± - | MATERIAL | | CAGE CODE DRAWING NO | |
| FINISH | | WEIGHT | | A1 00779 C=5650859 | |
| CUSTOMER DRAWING | | SCALE 4:1 | | SHEET 1 OF 1 REV 0 | |

单击下面可查看定价，库存，交付和生命周期等信息

[>>TE Connectivity\(泰科\)](#)