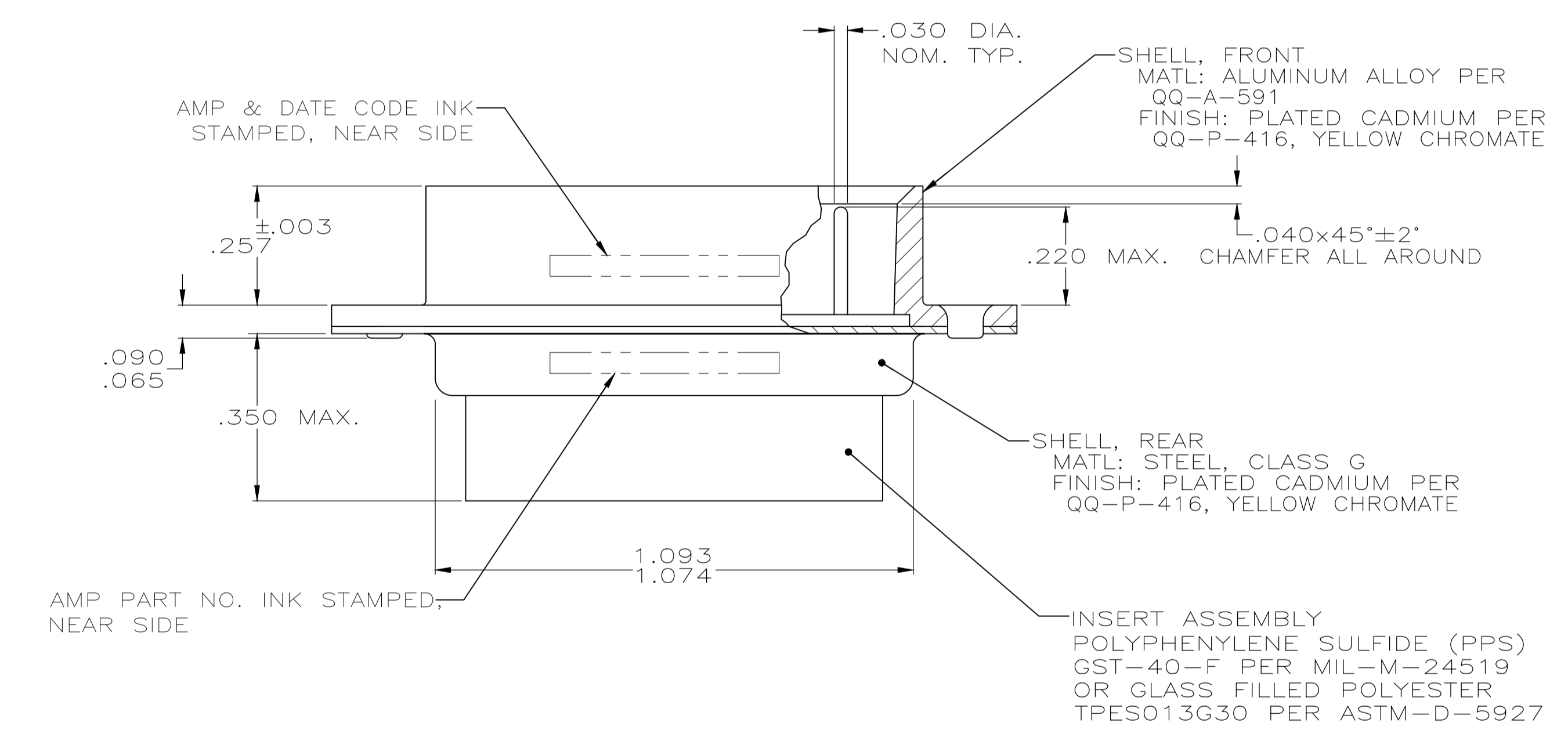
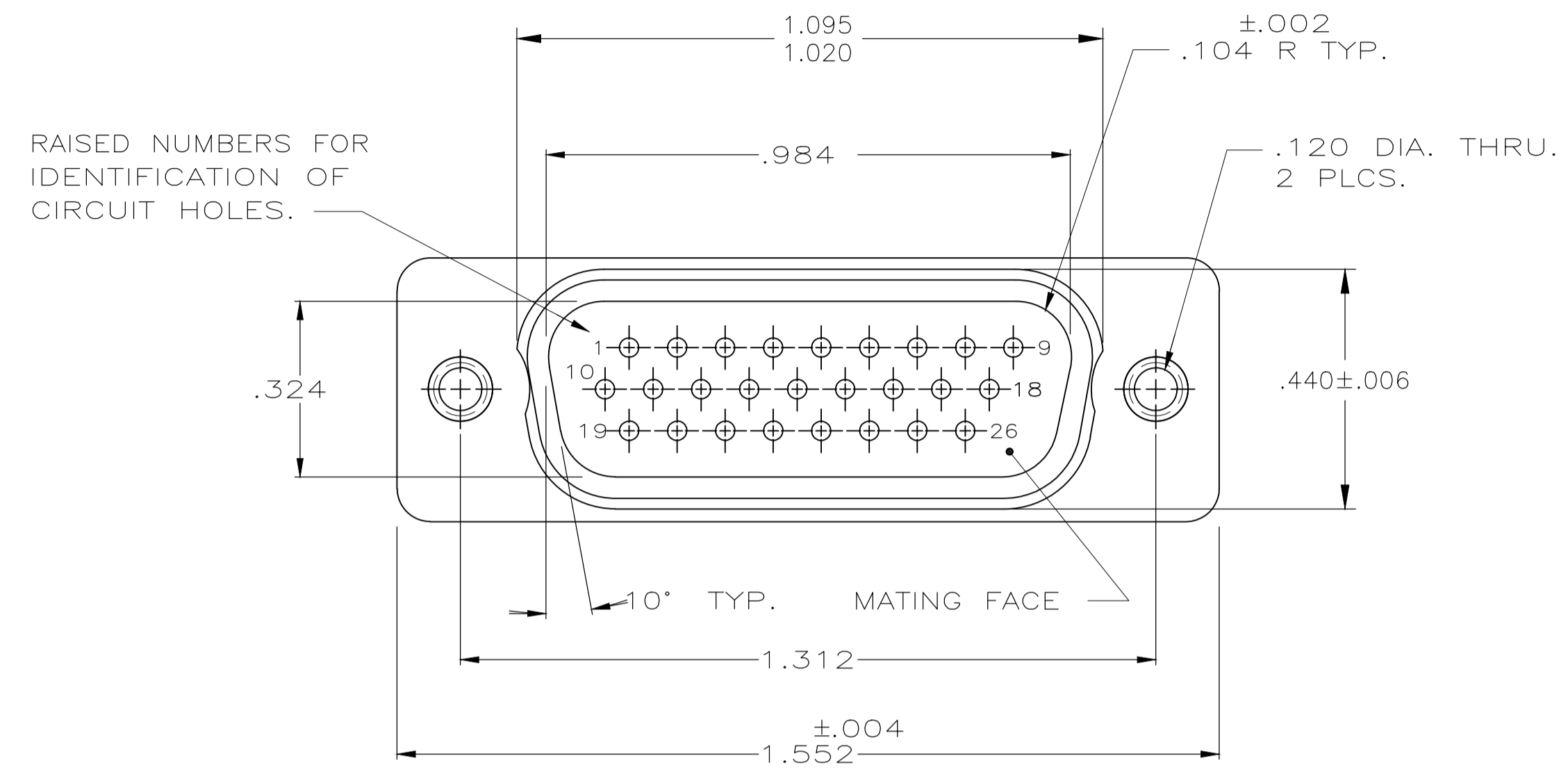


REVISIONS					
P	LTR	DESCRIPTION	DATE	DMN	APVD
N		REV PER ECO 18-011946	9-27-18	CT	DM



1. THIS PLUG WILL MATE WITH ANY SIZE 2,26 POSN. RECEPTACLE IN AMPLIMITE SERIES.
2. MAXIMUM WIRE INSULATION TO BE USED WITH THIS PLUG IS .054 DIA.
3. SST RETENTION CLIPS ARE INCLUDED IN INSERTS.
4. THIS PLUG IS DESIGNED TO CONFORM TO THE LATEST ISSUE OF MIL-C-24308.
5. CONNECTOR SUPPLIED WITHOUT CONTACTS; SHOWN FOR ILLUSTRATION ONLY.
6. THIS PLUG WILL ACCEPT SIZE 22 DM PIN CONTACT M39029/58-22-22D OR ANY AMP SIZE 22 DF PIN CONTACT.

UL/CSA DESIGNATION STAMPED IN THIS AREA.

AS SHOWN	445010-1
DESCRIPTION	PART NO

THIS DRAWING IS A CONTROLLED DOCUMENT.		DIN S. GLATFELTER 10-17-85		TE Connectivity	
DIMENSIONS: INCHES		CHK: F.C. BALLEW 10-17-85		NAME	
TOLERANCES UNLESS OTHERWISE SPECIFIED:		APVD		PRODUCT SPEC	
0 PLC ± -		-		APPLICATION SPEC	
1 PLC ± -		-		-	
2 PLC ± -		-		-	
3 PLC ± .005		-		-	
4 PLC ± -		-		-	
ANGLES ± -		-		-	
MATERIAL SEE CALLOUT		FINISH SEE CALLOUT		WEIGHT 0.000000	
		SIZE A1		CAGE CODE 00779	
		DRAWING NO. 445010		RESTRICTED TO	
		CUSTOMER DRAWING		SCALE 1:1 SHEET 1 OF 1 REV N	

单击下面可查看定价，库存，交付和生命周期等信息

[>>TE Connectivity\(泰科\)](#)