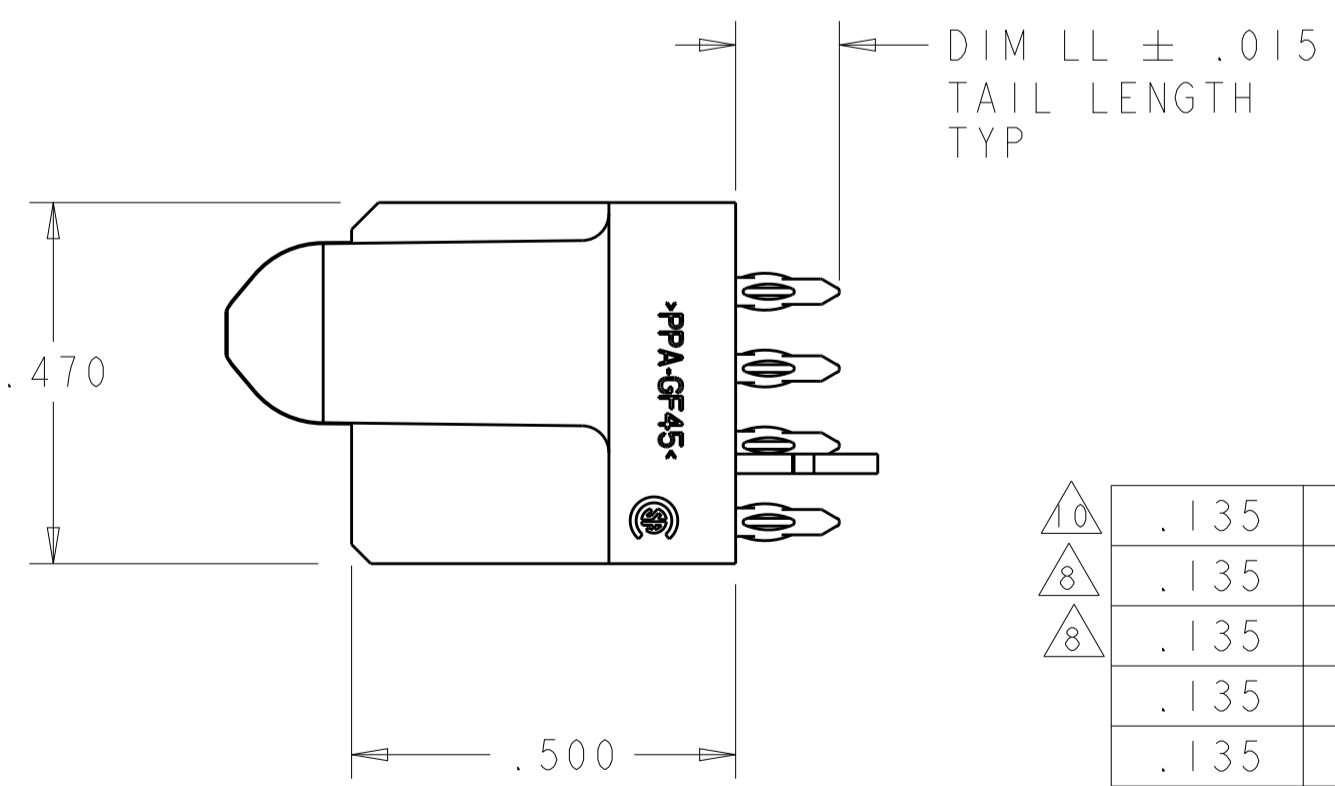
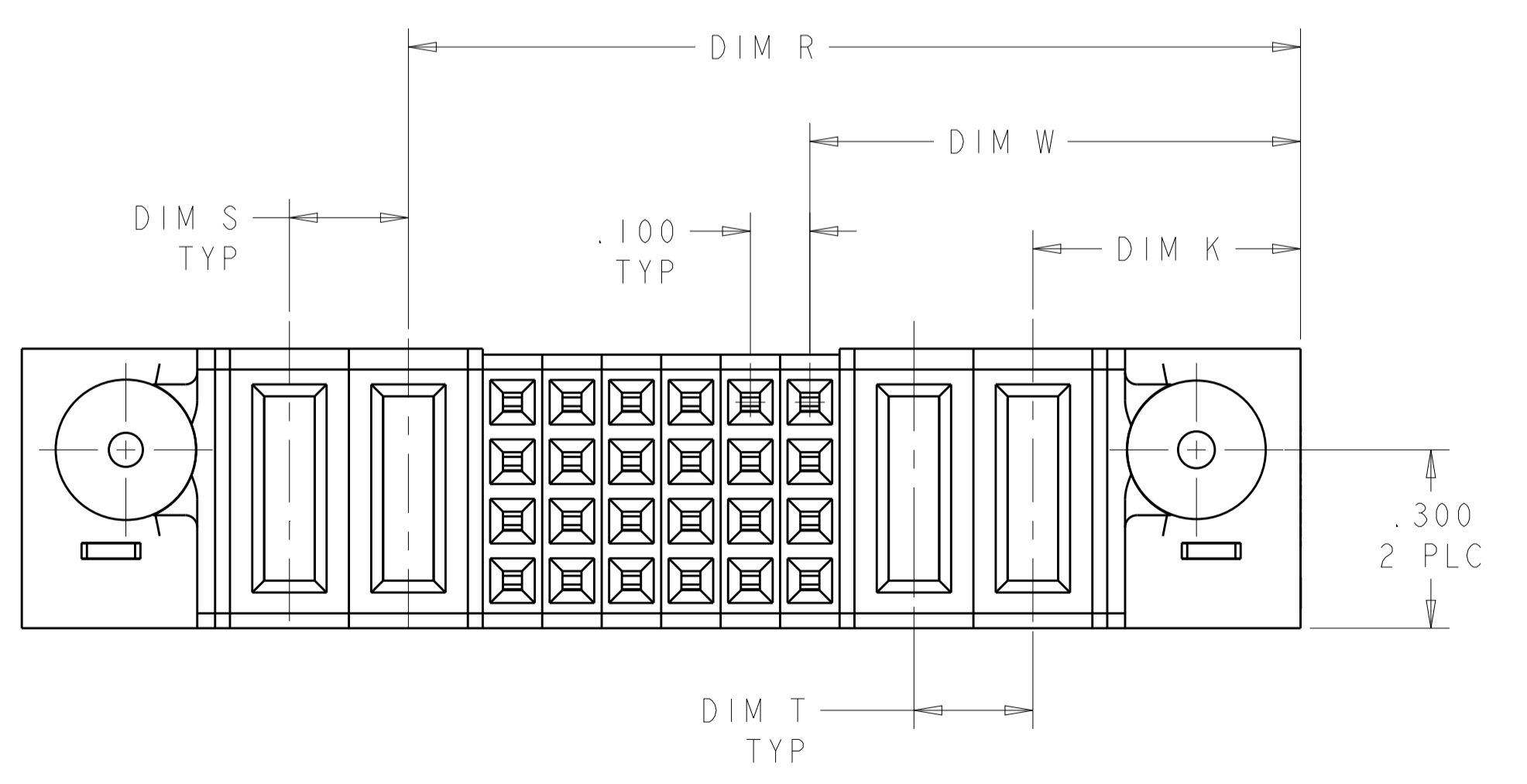
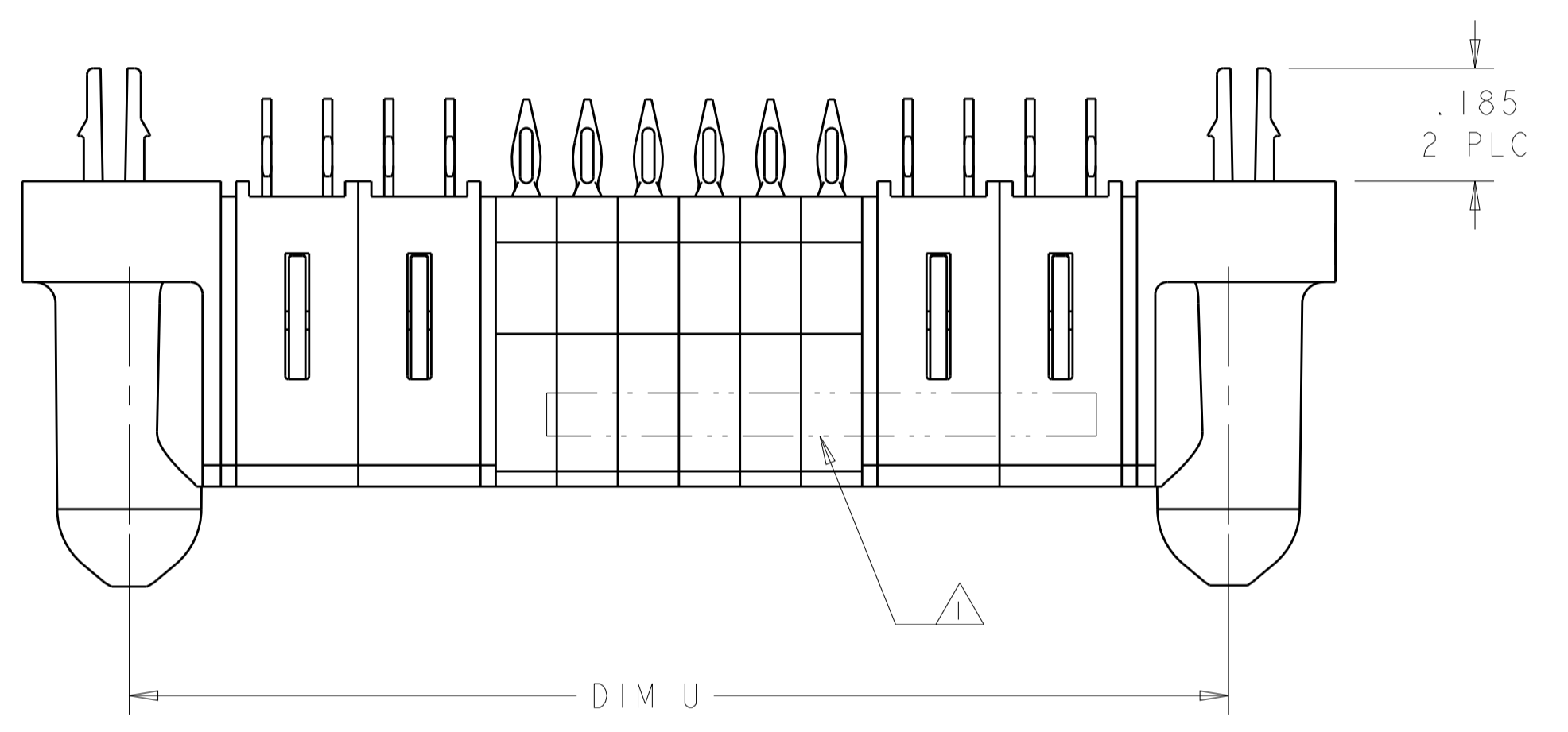
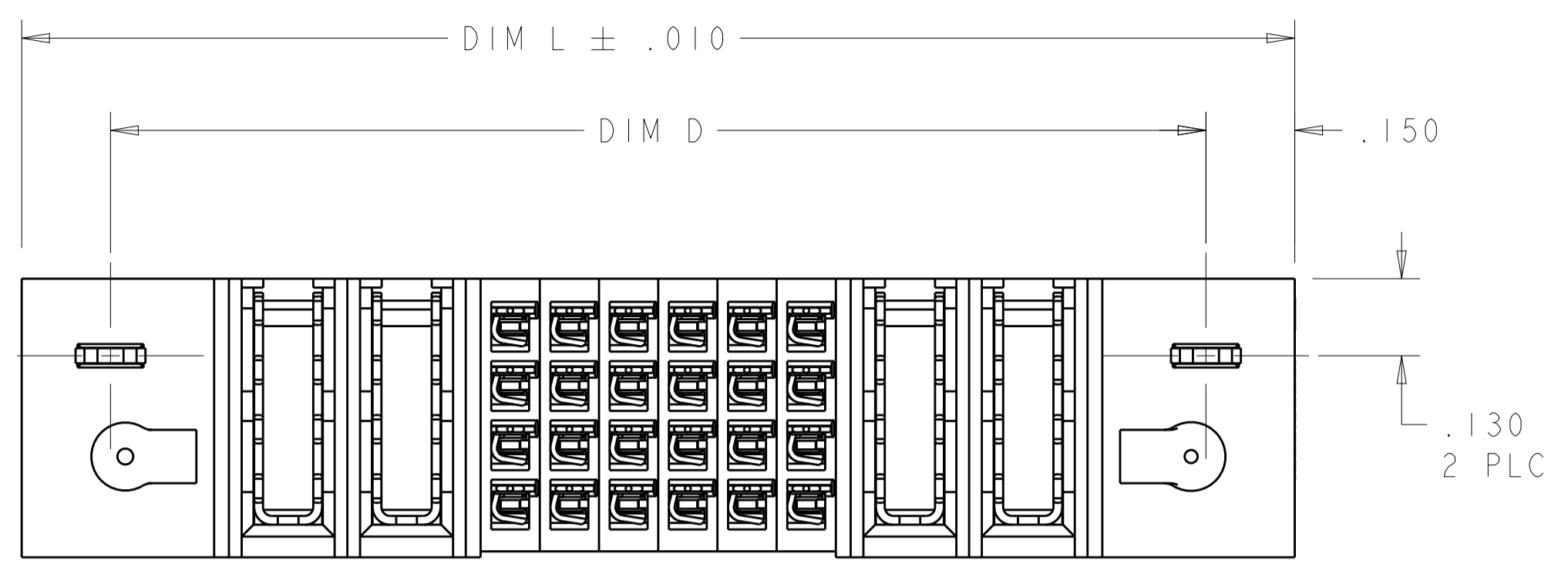


LOC	DIST	REVISIONS			
		REV	DATE	BY	APPV
ES	00	D4	REV PER ECR-13-004638	20MAR2013	ML SZ



- △ PART NUMBER, AND DATE CODE MARKED IN AREA SHOWN.
- △ MATERIAL:
 HOUSING - GLASS FILLED HIGH TEMP THERMO PLASTIC, UL94 V-0
 SIGNAL CONTACT - COPPER ALLOY
 POWER CONTACT - HIGH CONDUCTIVITY COPPER ALLOY
- △ CONTACT PLATING: NOBLE METAL PLATING ON CONTACT FUNCTIONAL AREA OF SIGNAL AND POWER CONTACTS.
- △ MECHANICAL CONNECTOR KEEP OUT ZONE.
- △ DATUM AND BASIC DIMENSIONS ESTABLISHED BY CUSTOMER.
- △ PCB - ALL HOLE DIAMETERS ARE FINISHED HOLE SIZES.
- △ PCB - .0453±.0010 DRILLED HOLES PLATED WITH .0003 MIN Sn OVER .001 TO .003 Cu PLATING TO ACHIEVE A .040 HOLE.
- △ NOT RELEASED FOR PRODUCTION.
- △ POWER CONTACT AREA LUBRICATED WITH LUBRICANT.
- △ THE SPECIAL DIMENSION ONLY FOR 1892430-6 (SEE SHEET 2)

△10	.135	.200	4.725	4.175	.200	2.025	7.600	7.650	7.950	64S+11HDP+20S+15HDP	1892430-6
△8	.135	.250	1.550	.875	.250	.450	1.900	1.950	2.250	2P + 24S + 2P	1892430-5
△6	.135	.250	2.550	1.875	.250	.450	3.900	3.950	4.250	6P + 24S + 6P	1892430-4
	.135	.250	1.950	1.275	.300	.475	3.050	-	3.400	3ACP + 24S + 5P	1892430-3
	.135	-	1.425	.700	-	.475	1.575	-	1.925	1P + 24S + 1P	1892430-2
	.135	.200	1.500	.825	.200	.450	1.800	1.850	2.150	2HDP + 24S + 2HDP	1892430-1
	DIM LL	DIM S	DIM R	DIM W	DIM T	DIM K	DIM U	DIM D	DIM L	DESCRIPTION	PART NUMBER

THIS DRAWING IS A CONTROLLED DOCUMENT. DWG: C.ZHOU 11OCT2006
 CHK: SUNY ZHAO 10OCT2006
 APVD: S.YAO

STE TE Connectivity

NAME: VERTICAL RECEPTACLE ASSEMBLY PRESS FIT,W/GUIDES MULTI-BEAM XL

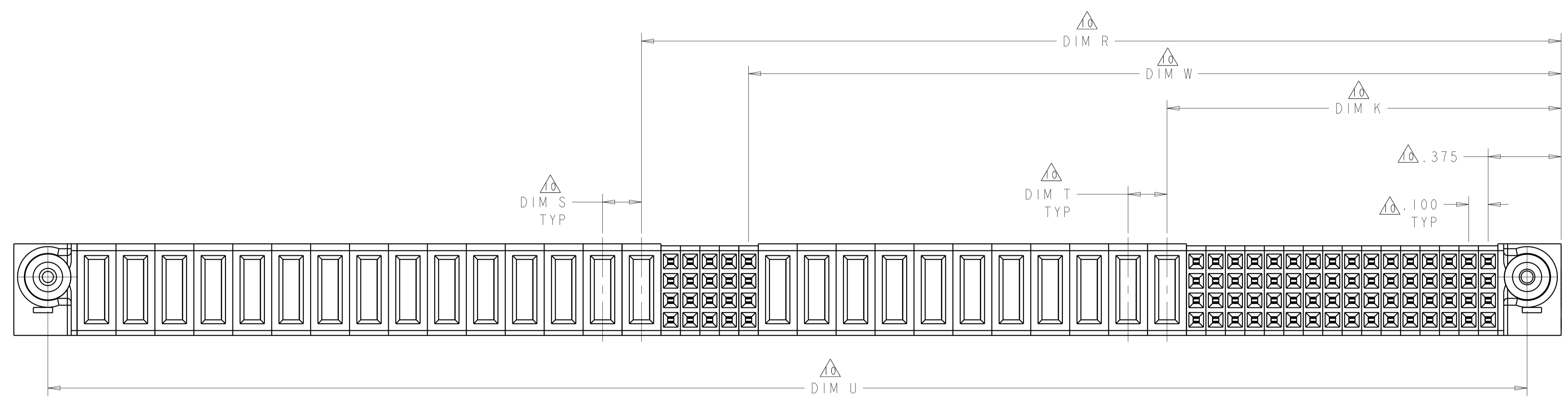
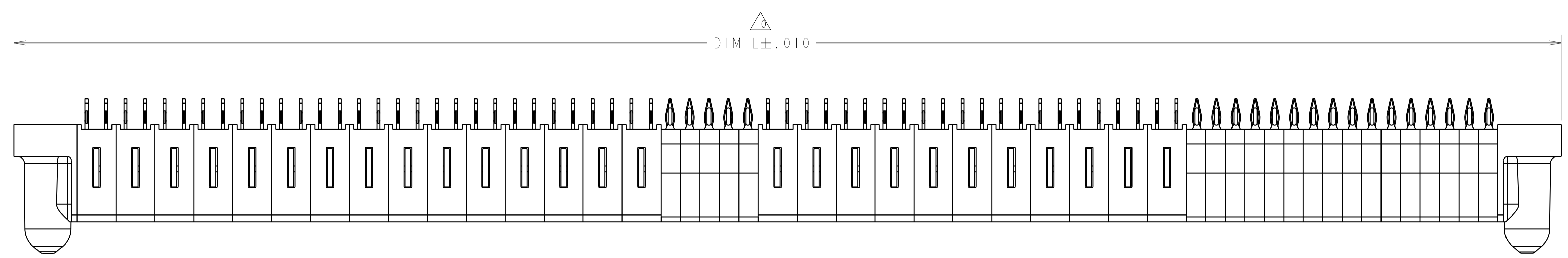
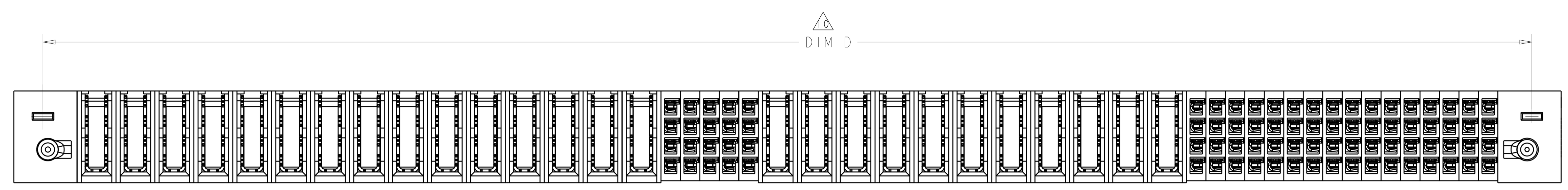
PRODUCT SPEC: 108-1973
 APPLICATION SPEC: 114-13038

SIZE: A1 CAGE CODE: 1892430 DRAWING NO: 100779
 WEIGHT: -
 RESTRICTED TO: -

MATERIAL: △2 FINISH: △3 △9

Customer Drawing SCALE: 4:1 SHEET: 1 OF 5 REV: D4

LOC	DIST	REVISIONS					
ES	00	P	LTN	DESCRIPTION	DATE	DWN	APVD
-	-	-	-	SEE SHEET 1	-	-	-



PART NUMBER 1892430-6
 UNSPECIFIED DIMENSION REFER TO SHEET 1

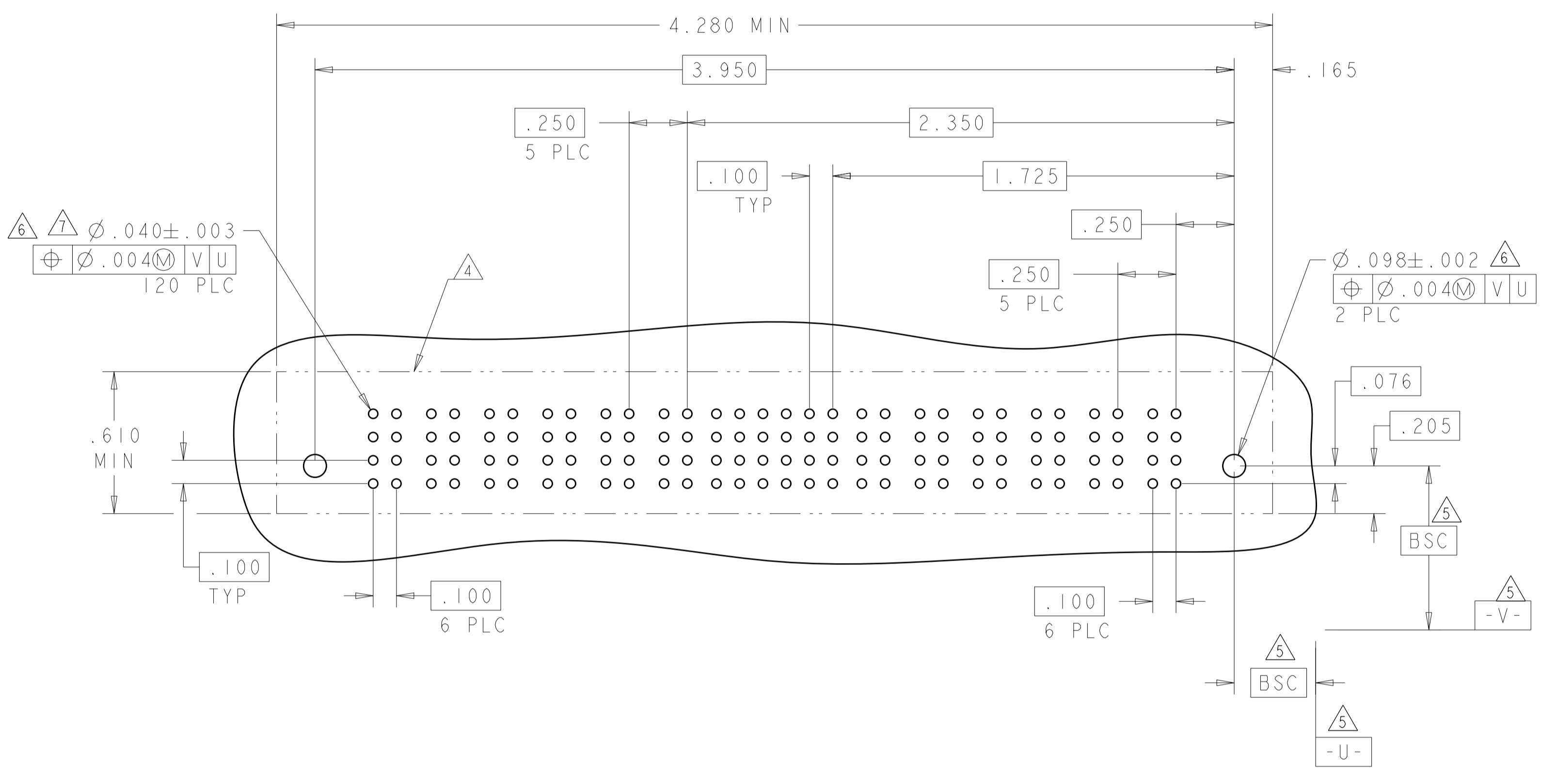
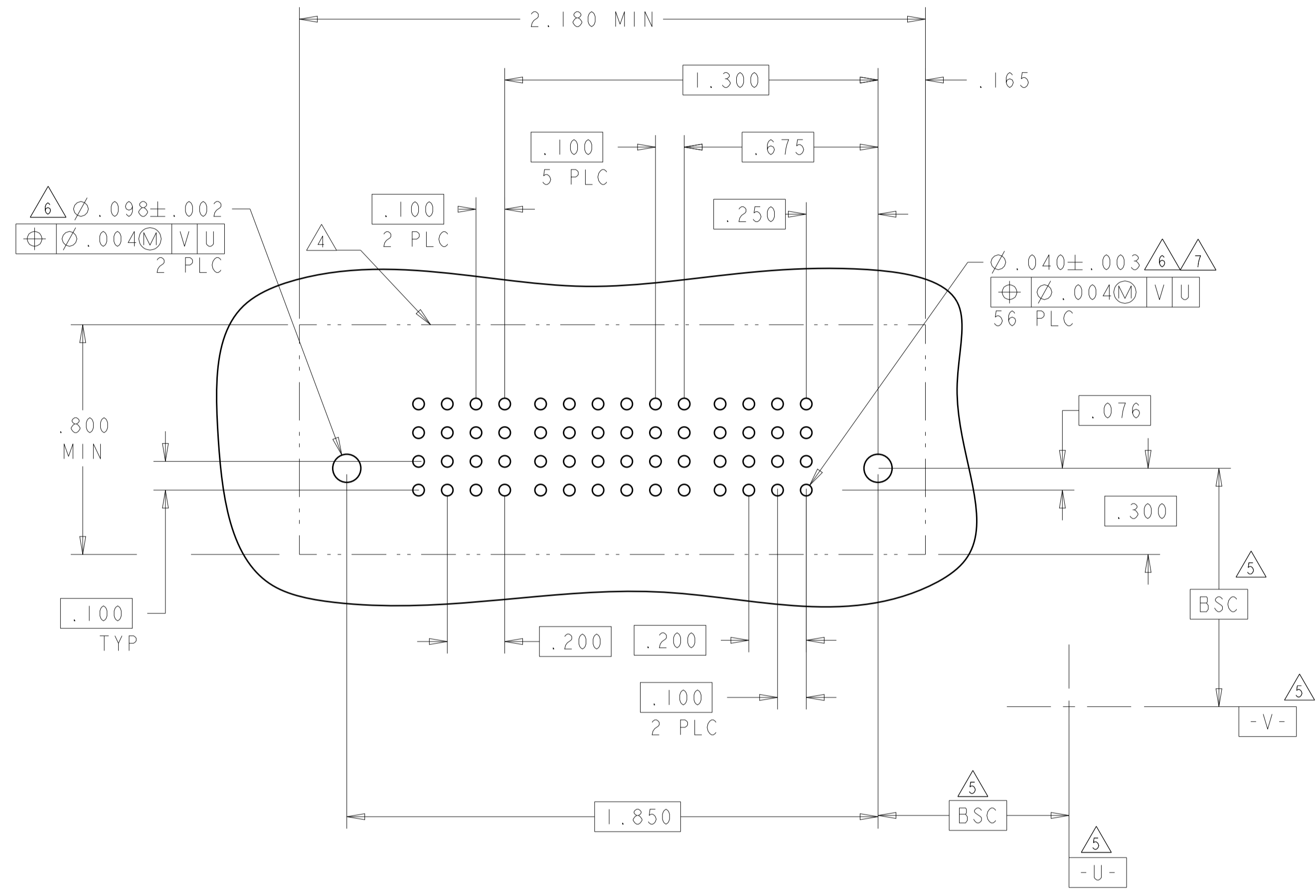
THIS DRAWING IS A CONTROLLED DOCUMENT.		DWN C. ZHOU CHK SUNY ZHAO APVD S. YAO	11OCT2006 10OCT2006	STE TE Connectivity
DIMENSIONS: INCHES	TOLERANCES UNLESS OTHERWISE SPECIFIED: 0 PLC ±. 2 PLC ±.01 3 PLC ±.005 4 PLC ±.0020 ANGLES 90°/30°	NAME S. YAO	PRODUCT SPEC 108-1973 APPLICATION SPEC 114-13038	
MATERIAL	FINISH	SIZE A100779	CAGE CODE C=1892430	RESTRICTED TO
Customer Drawing			SCALE 4:1	SHEET 2 OF 5 REV D4

LOC	DIST	REV	DATE	BY	APPV
ES	00				

REVISIONS			
NO.	DESCRIPTION	DATE	BY
-	SEE SHEET 1	-	-

PART NUMBER	ROWS	POWER		SIGNAL						POWER		
		P4	P3	6	5	4	3	2	1	P2	P1	
1892430-1	D C B A	GP	GP	AP	AP	AP	AP	AP	AP	AP	GP	GP
				AP	AP	AP	AP	AP	AP			
				AP	AP	AP	AP	AP	AP			
2HDP + 24S + 2HDP		HD									HD	

ASSY PART NUMBER	ROWS	POWER						SIGNAL						POWER						
		P12	P11	P10	P9	P8	P7	6	5	4	3	2	1	P6	P5	P4	P3	P2	P1	
1892430-4	D C B A	GS	GS	GS	GS	GS	GS	AP	AP	AP	AP	AP	AP	GS	GS	GS	GS	GS	GS	
								AP	AP	AP	AP	AP	AP							
								AP	AP	AP	AP	AP	AP							
6P + 24S + 6P		HD																		HD



CODE	DESCRIPTION
AP	SIGNAL CONTACT
GP	POWER CONTACT, MFBL
GS	POWER CONTACT, STD
HD	HOLD DOWN

THIS DRAWING IS A CONTROLLED DOCUMENT.

DIMENSIONS: INCHES	TOLERANCES UNLESS OTHERWISE SPECIFIED:	DWN: C. ZHOU 11OCT2006	CHK: SUNY ZHAO 10OCT2006	APVD: S. YAO
MATERIAL	FINISH	PRODUCT SPEC	APPLICATION SPEC	SIZE
		108-1973	114-13038	A100779
		WEIGHT	Customer Drawing	SCALE 4:1 SHEET 3 OF 5 REV D4

STE TE Connectivity

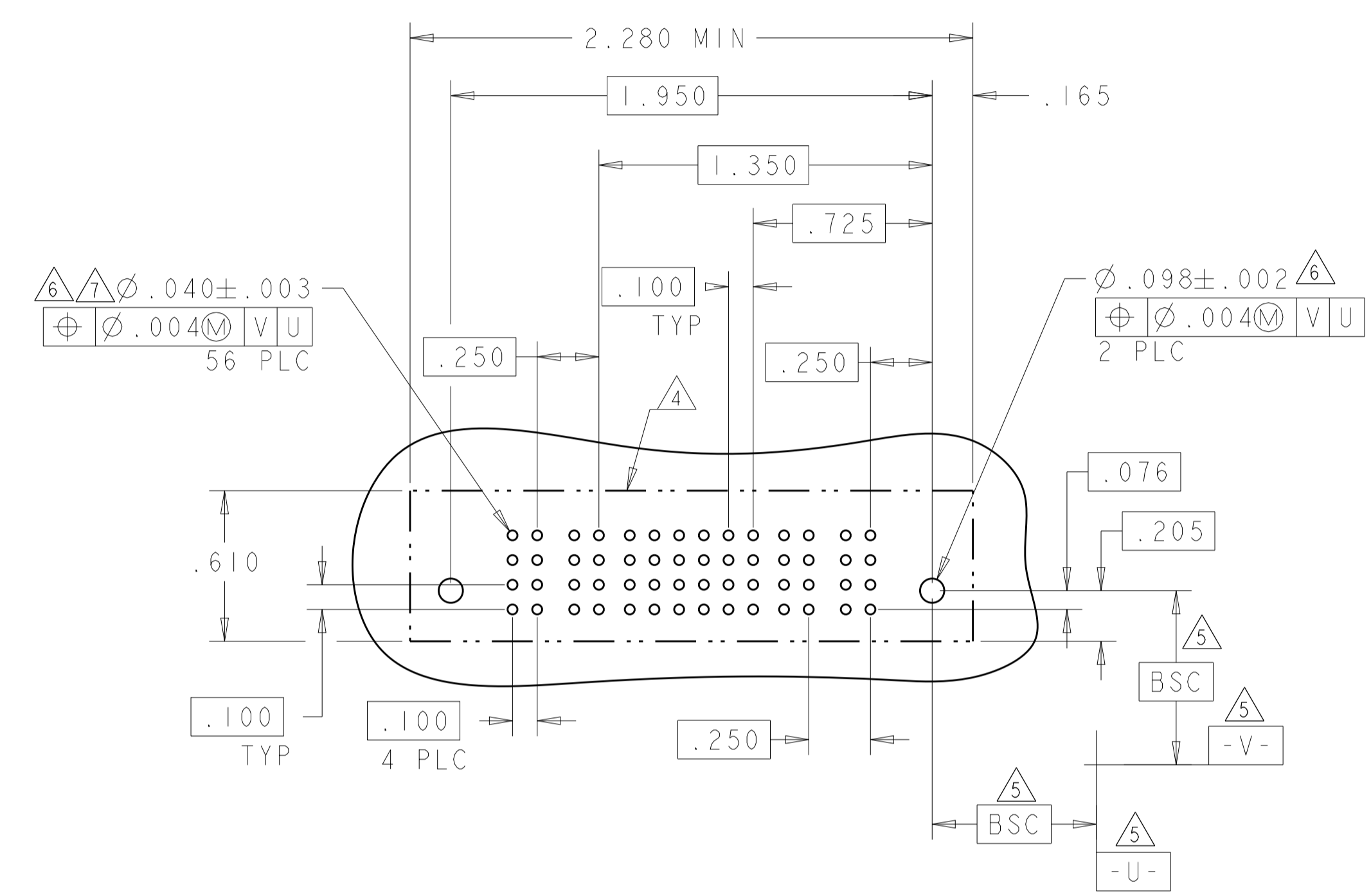
VERTICAL RECEPTACLE ASSEMBLY PRESS FIT, W/GUIDES MULTI-BEAM XL

RESTRICTED TO

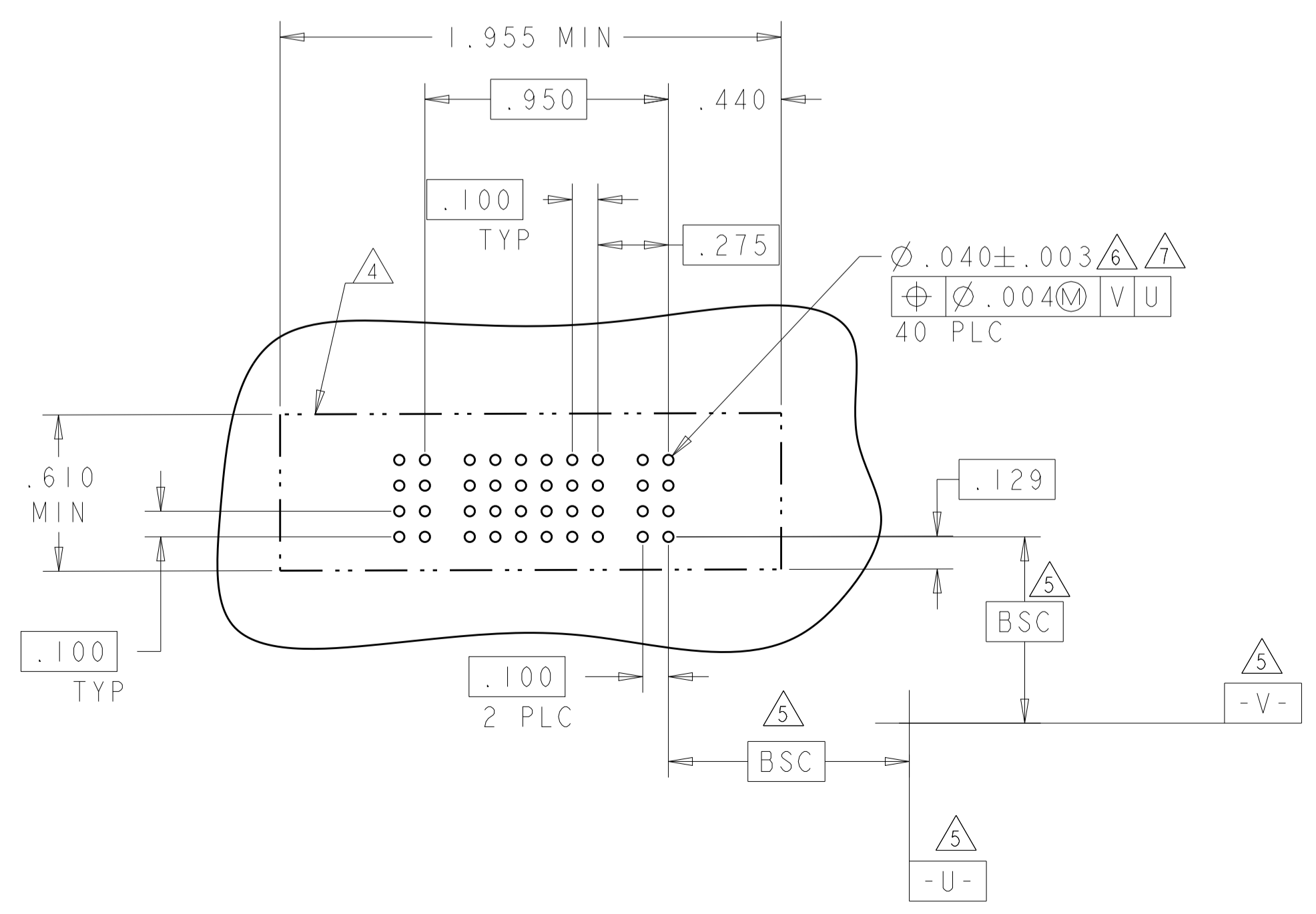
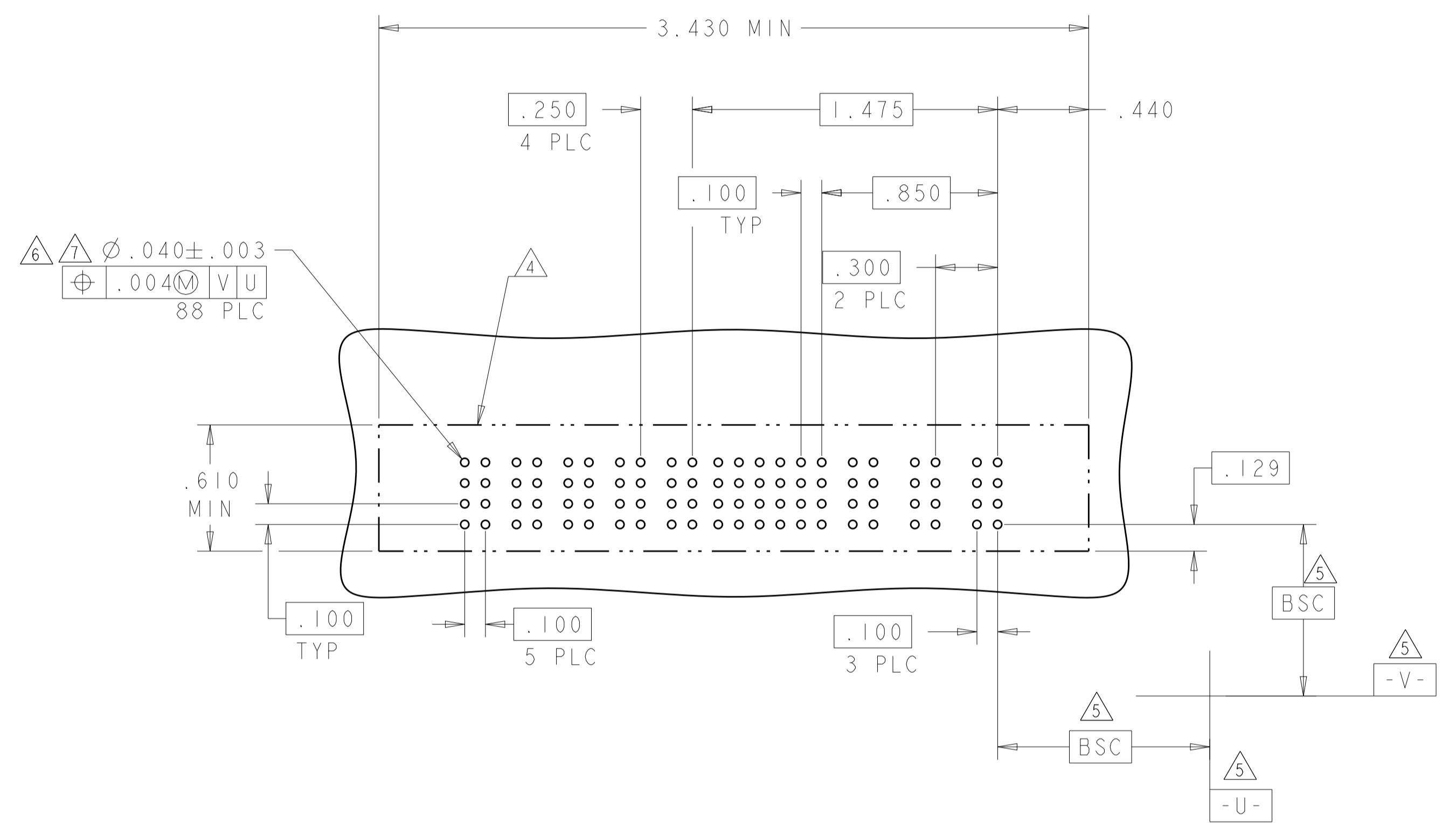
LOC	DIST	REVISIONS			
P	LTN	DESCRIPTION	DATE	DWN	APVD
-	-	SEE SHEET 1	-	-	-

PART NUMBER	ROWS	POWER				SIGNAL					POWER	
		P4	P3	6	5	4	3	2	1	P2	P1	
1892430-5	D C B A	GP	GP	AP	AP	AP	AP	AP	AP	AP	GP	GP
		AP	AP	AP	AP	AP	AP	AP	AP	AP	GP	GP
		AP	AP	AP	AP	AP	AP	AP	AP	AP	GP	GP
2P + 24S + 2P												

PART NUMBER	ROWS	POWER (L)				SIGNAL					POWER (R)			
		P8	P7	P6	P5	6	5	4	3	2	1	P3	P2	P1
1892430-3	D C B A	GS	GS	GS	GS	AP	AP	AP	AP	AP	AP	GP	GS	GS
		AP	AP	AP	AP	AP	AP	AP	AP	AP	AP	GP	GS	GS
		AP	AP	AP	AP	AP	AP	AP	AP	AP	AP	GP	GS	GS
3ACP + 24S + 5P														



PART NUMBER	ROWS	POWER		SIGNAL					POWER	
		P2	6	5	4	3	2	1	P1	
1892430-2	D C B A	GP	AP	AP	AP	AP	AP	AP	GP	GP
		AP	AP	AP	AP	AP	AP	AP	GP	GP
		AP	AP	AP	AP	AP	AP	AP	GP	GP
1P + 24S + 1P										



THIS DRAWING IS A CONTROLLED DOCUMENT.		DWN: C. ZHOU 11OCT2006	STE TE Connectivity
DIMENSIONS: INCHES		CHK: SUNY ZHAO 10OCT2006	
TOLERANCES UNLESS OTHERWISE SPECIFIED:		APVD: S. YAO	NAME: VERTICAL RECEPTACLE ASSEMBLY PRESS FIT, W/GUIDES MULTI-BEAM XL PRODUCT SPEC: 108-1973 APPLICATION SPEC: SIZE: 114-13038 WEIGHT: CAGE CODE: A100779 DRAWING NO: 1892430 SCALE: 4:1 SHEET 4 OF 5 REV: D4
0 PLC ±. 2 PLC ±.01 3 PLC ±.01 4 PLC ±.005 5 PLC ±.002 ANGLES: 40°/30° FINISH:		MATERIAL: CUSTOMER DRAWING	
RESTRICTED TO			
4805 (3/11)			

单击下面可查看定价，库存，交付和生命周期等信息

[>>TE Connectivity\(泰科\)](#)