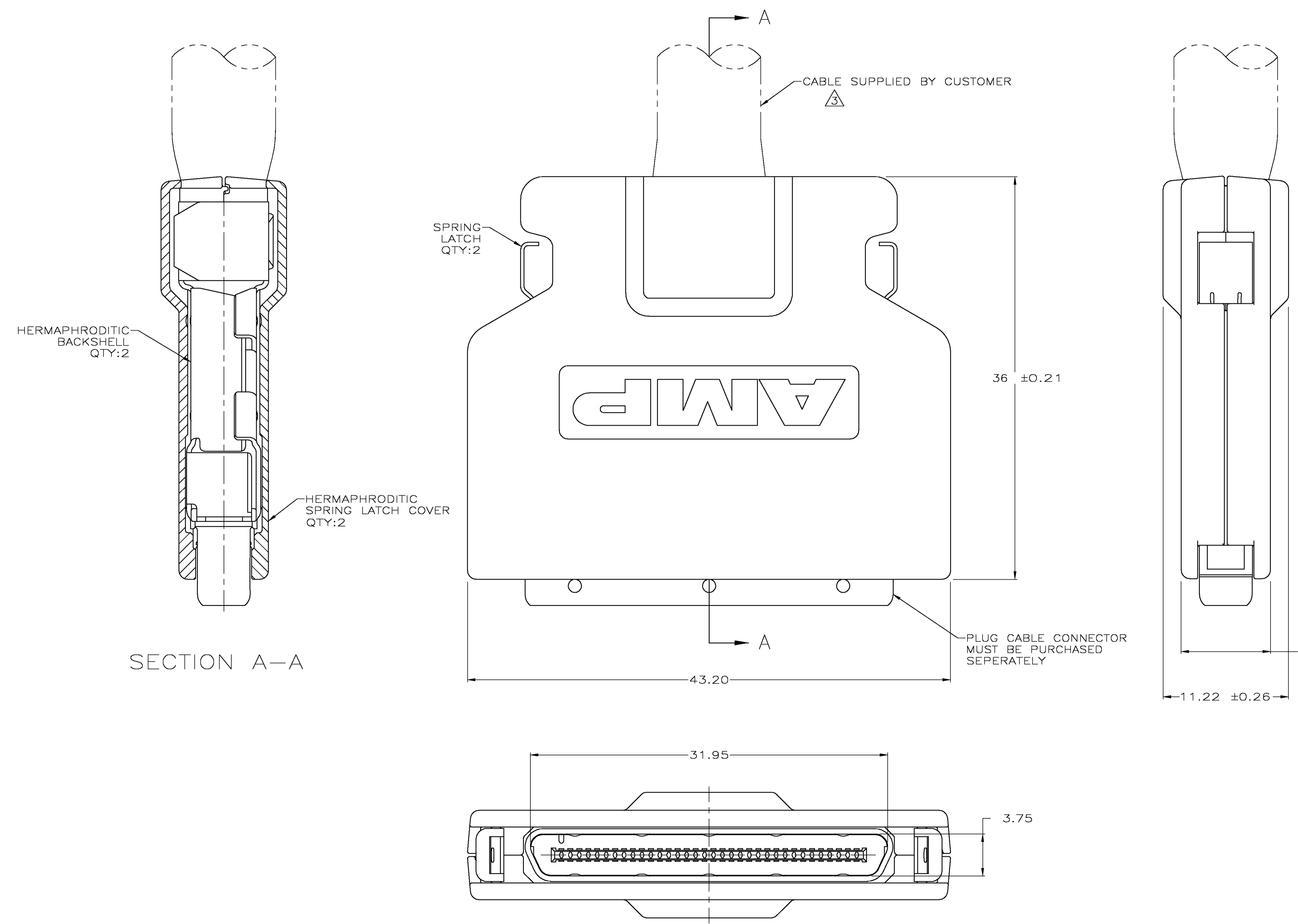


LOC		DIST		REVISIONS			
P	LR	DESCRIPTION	DATE	DRN	APPD		
C		REDRAWN PER EC 0513-0148-04		OBMAROS	TS	JG	



- ⚠ MATERIAL:
 HERMAPHRODITIC BACKSHELL- STEEL.
 SPRING LATCH- STAINLESS STEEL.
 HERMAPHRODITIC SPRING LATCH COVER- UL 94V-0 RATED
 ABS MOLDING COMPOUND, COLOR-BLACK.
- ⚠ PLATING:
 HERMAPHRODITIC BACKSHELL- 5µm MIN BRIGHT NICKEL OVER
 2.5µm MIN COPPER.
- ⚠ RECOMMENDED WIRE: 30 AWG WITH A 0.56-0.64 INSULATION DIAMETER,
 WIRE MUST BE APPROVED BY AMP ENGINEERING.

OBSOLETE	INDIVIDUAL KIT	787229-2
	BULK, 100 KITS	787229-1
	PACKAGING	PART NUMBER

THIS DRAWING IS A CONTROLLED DOCUMENT.

DRN T. SHUEY	OBMAROS	tyco Electronics	Tyco Electronics Corporation Harrisburg, Pa 17105-3608	
CHK J. GERACE	OBMAROS		NAME	
APPD M. WALMSLEY	OBMAROS	PRODUCT SPEC 108-1471		
DIMENSIONS: mm		APPLICATION SPEC		
TOLERANCES UNLESS OTHERWISE SPECIFIED:		SIZE A1		
0 PLC ± -	1 PLC ± -	CAGE CODE DRAWING NO 00779 C=787229		
2 PLC ± 0.13	3 PLC ± -	RESTRICTED TO		
4 PLC ± -	ANGLES ± -	WEIGHT		
FINISH		CUSTOMER DRAWING		

SCALE 5:1 SHEET 1 OF 1 REV C

单击下面可查看定价，库存，交付和生命周期等信息

[>>TE Connectivity\(泰科\)](#)