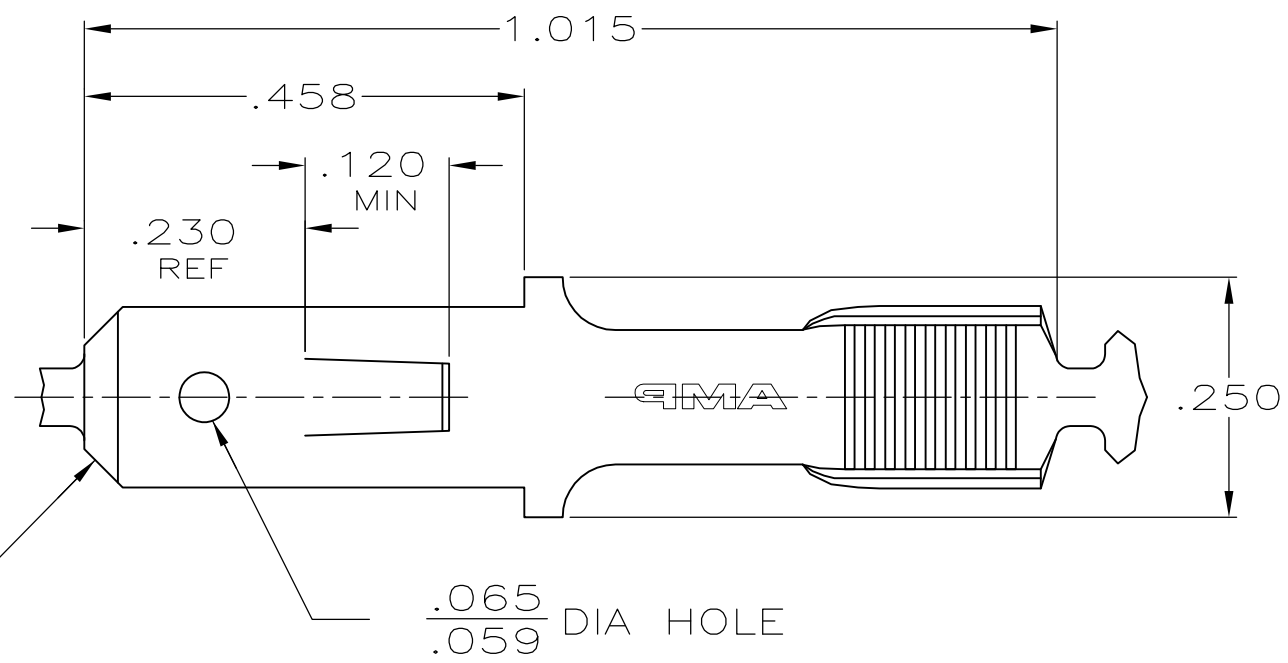


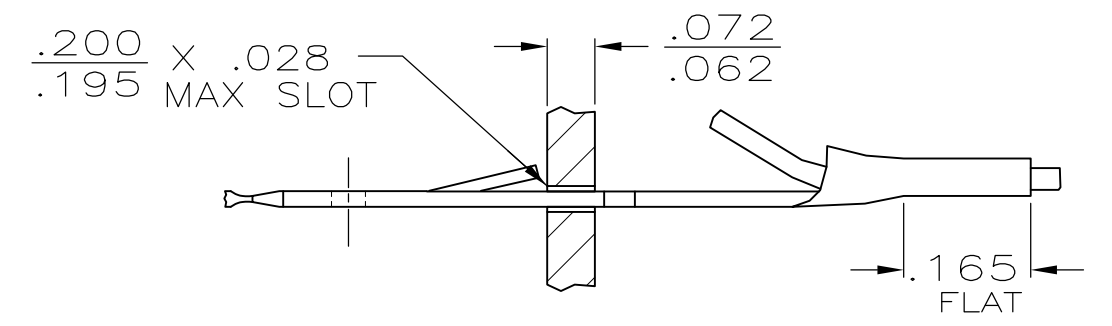
THIS DRAWING IS UNPUBLISHED. RELEASED FOR PUBLICATION
 © COPYRIGHT - By - ALL RIGHTS RESERVED.

LOC	DIST	REVISIONS			
P	LTR	DESCRIPTION	DATE	DWN	APVD
AF	50	K1	REVISED PER ECR-15-004720	08JUN2015	GRZ RP

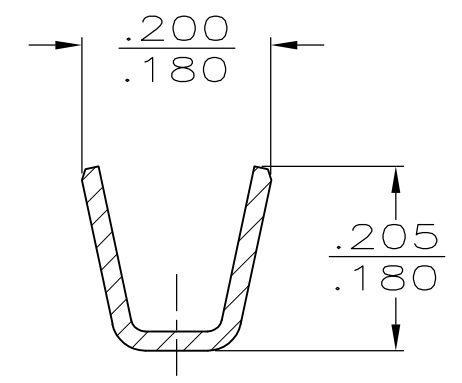
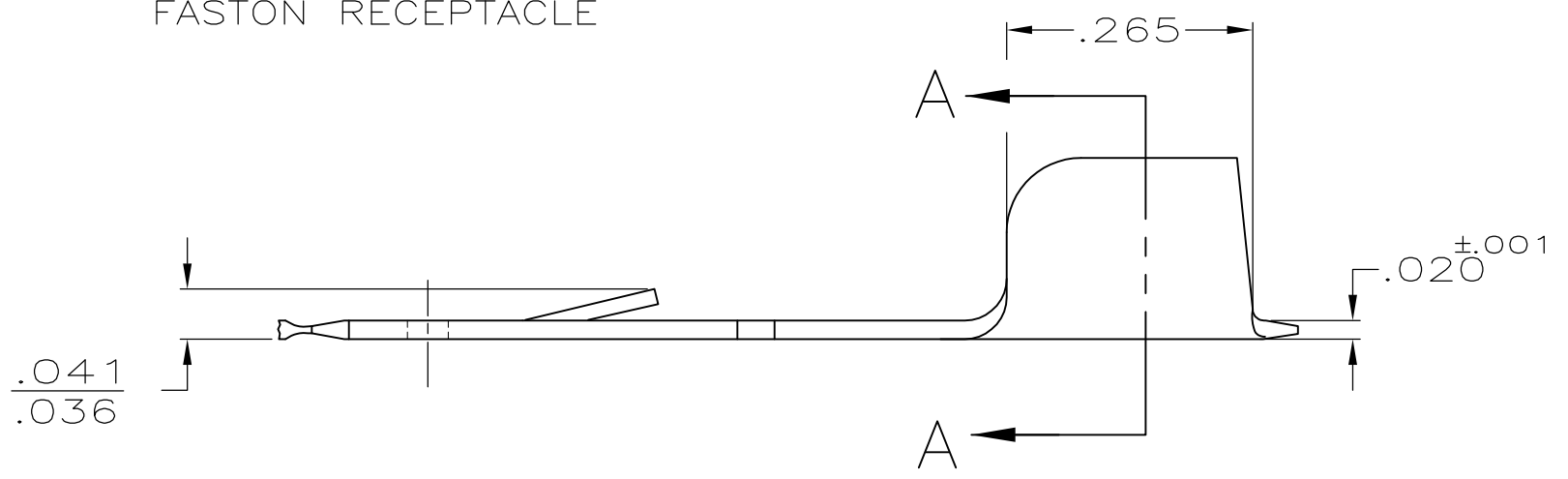
1 CONTINUOUS STRIP ON REELS
 2 REVERSE REELING FROM 62445-2.



FITS .187 SERIES FASTON RECEPTACLE



INSTALLED VIEW PIGTAIL CRIMP



SECTION A-A

#15-12 MAGNET WIRE 3000 - 7000 CMA	TIN / VARNISH RESIST	2 62445-3
	TIN .000080 MIN	62445-2
WIRE SIZE	FINISH	62445-1
		PART NO

THIS DRAWING IS A CONTROLLED DOCUMENT.		DWN JR RUTH 11/7/91	TE Connectivity NAME TAB, AMPLIVAR, FASTIN-FASTON, .187 SERIES			
DIMENSIONS: INCHES		CHK MS FEHER 11/7/91				
TOLERANCES UNLESS OTHERWISE SPECIFIED:		APVD J GILLESPIE 11/7/91				
0 PLC ± - 1 PLC ± - 2 PLC ± - 3 PLC ± .015 4 PLC ± - ANGLES ± -		PRODUCT SPEC -				
MATERIAL BRASS	FINISH SEE TABLE	APPLICATION SPEC -	SIZE A3	CAGE CODE 00779	DRAWING NO C-62445	RESTRICTED TO -
CUSTOMER DRAWING			SCALE 5:1	SHEET 1 OF 1	REV K1	

单击下面可查看定价，库存，交付和生命周期等信息

[>>TE Connectivity\(泰科\)](#)