

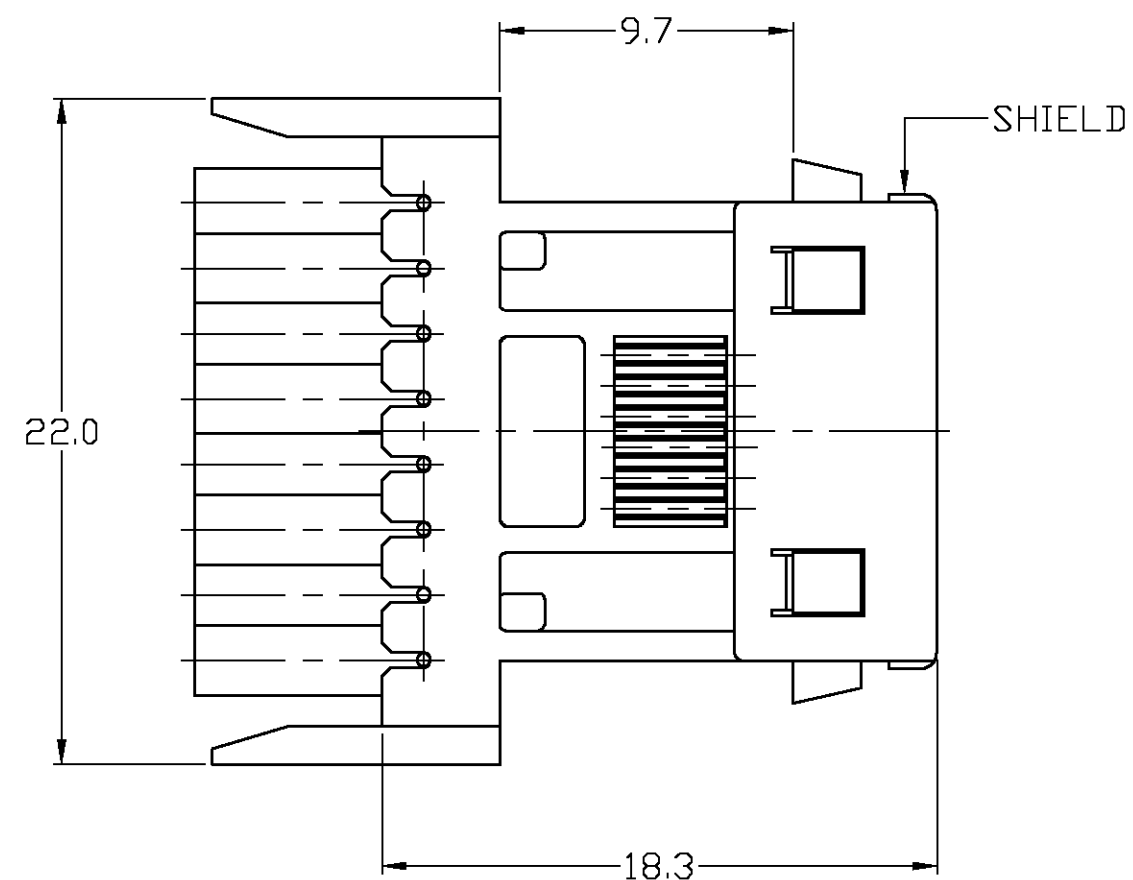
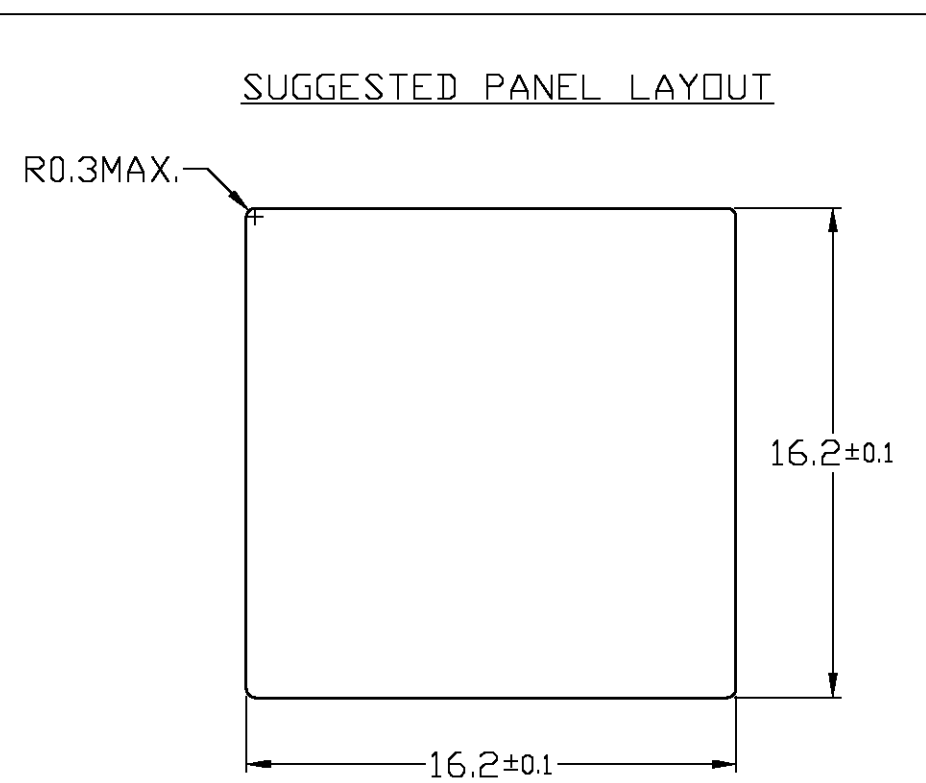
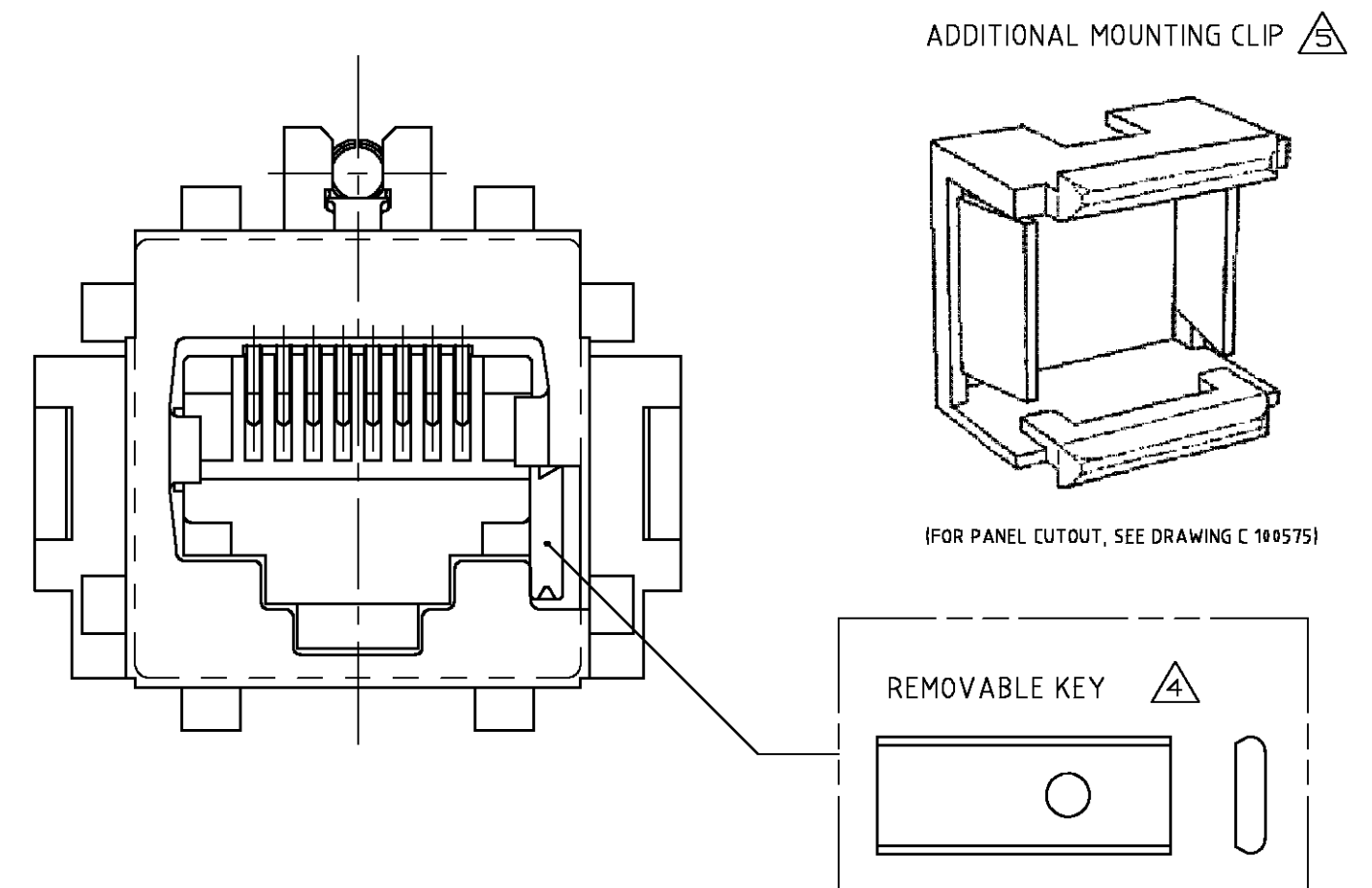
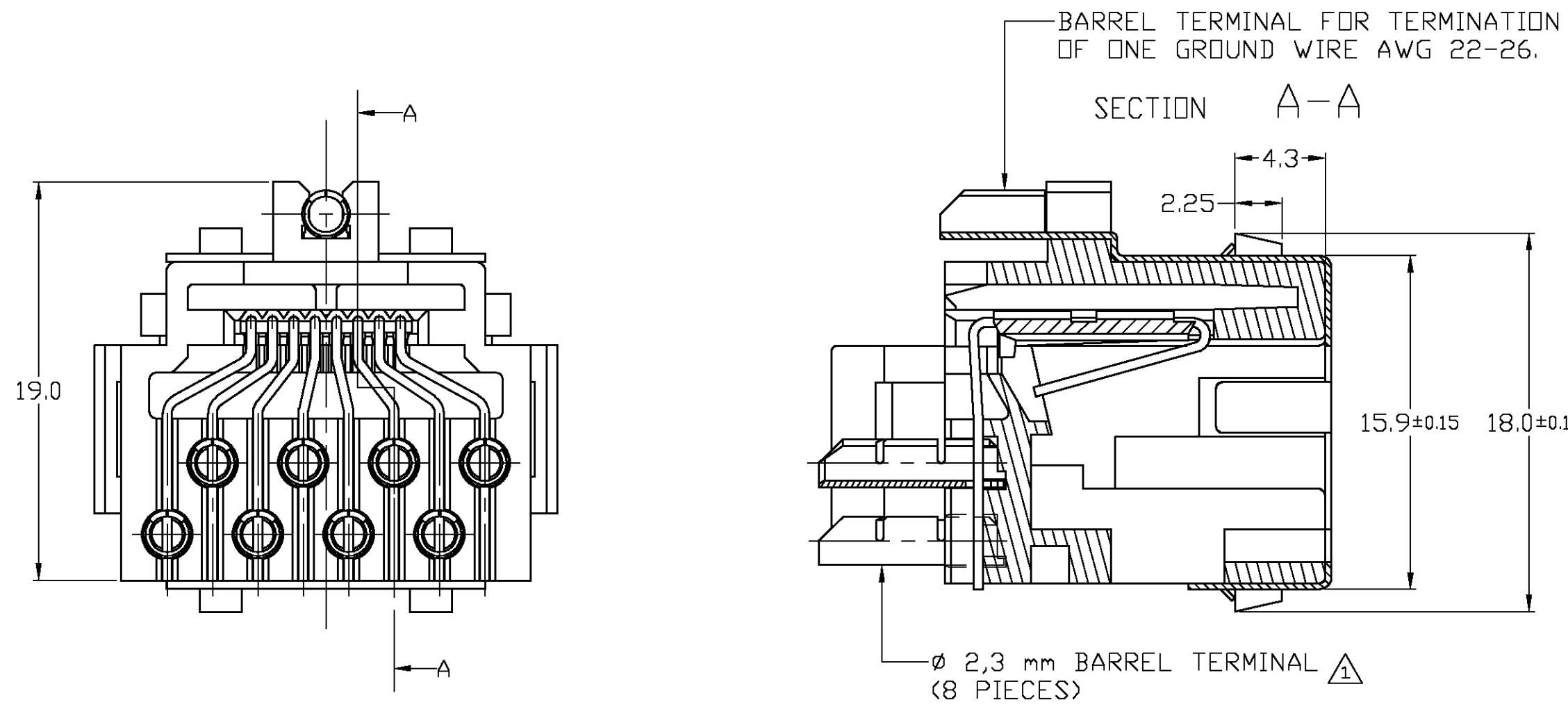
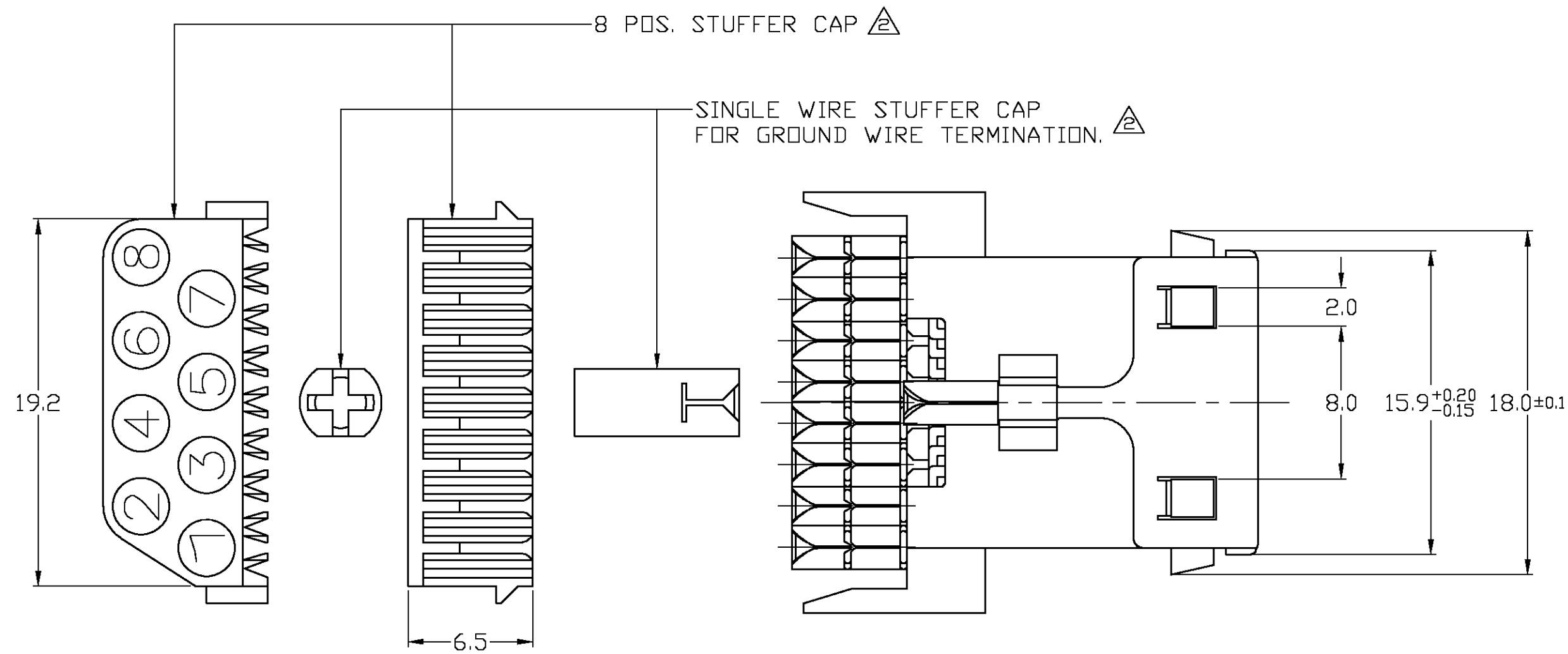
DO NOT SCALE  
DIMENSIONS IN mm

METRIC

THIRD ANGLE  
PROJECTION

NOTES:

- 1 BARREL TERMINALS WILL ACCEPT ON OR TWO WIRES WITH THE SAME SIZE PER TERMINAL. WIRE RANGE FOR SOLID AND STRANDED WIRES: 0,12 mm<sup>2</sup> (AWG 26) - 0,35 mm<sup>2</sup> (AWG 22) MAXIMUM INSULATION  $\phi$ : 1,2 mm.
- 2 8 POSITION STUFFER CAP AND SINGLE WIRE STUFFER CAP ARE SHIPPED NOT ASSEMBLED.
- 3 MATERIALS: 8 POS. STUFFER CAP: ABS NATURAL  
1 WIRE STUFFER CAP: NYLON  
BARREL TERMINALS: PHOS. BRONZE  
CONTACTS: PRE-TINPLATED  
PHOS. BRONZE PLATED  
1,25  $\mu$ m SELECTIVE GOLD  
OVER 1,25  $\mu$ m NICKEL  
HOUSING KEY: PBT, COLOR BLACK  
UL 94HB  
SHIELD: BRASS PRE-TINPLATED
- 4 REMOVABLE KEY IS SHIPPED NOT ASSEMBLED.
- 5 ADDITIONAL HARDWARE IS REQUIRED FOR PANEL MOUNTING. FOR INSTANCE MOUNTING CLIP 100575-1 (IS NOT INCLUDED).



500 PCS IN A BOX		SEE NOTE 3	SEE NOTE 3	216811-1
PACKAGING		FINISH		P/N
CUSTOMER DRAWING FOR REFERENCE ONLY WILL NOT BE UPDATED				
© COPYRIGHT 19 BY AMP HOLLAND B.V. ALL INTERNATIONAL RIGHTS RESERVED. AMP PRODUCTS MAY BE COVERED BY U.S. AND FOREIGN AND/OR PATENTS PENDING.				
THIS DRAWING IS UNPUBLISHED RELEASED FOR PUBLICATION				
G SR10-0119-01		KV	20 MAR 01	
F H-8627		J.T.	J.T.	25 OCT 93
E H-8627		J.T.	W.B.	02 AUG 93
D H-8627		J.T.	W.B.	13 APR 92
C H-8627		J.v.L.	J.T.	04 NOV 91
LTR. REVISION RECORD		DR.	CHK.	DATE
DR.: J.v.LIEMPT	CHK.: W.BRUMMANS	APP.: J.van SOEST	DWG.No.	REV.LTR. SHEET
DATE: 04 NOV 91	DATE:	DATE: 27 OCT 93	C-216811	G 1 OF 1

单击下面可查看定价，库存，交付和生命周期等信息

[>>TE Connectivity\(泰科\)](#)