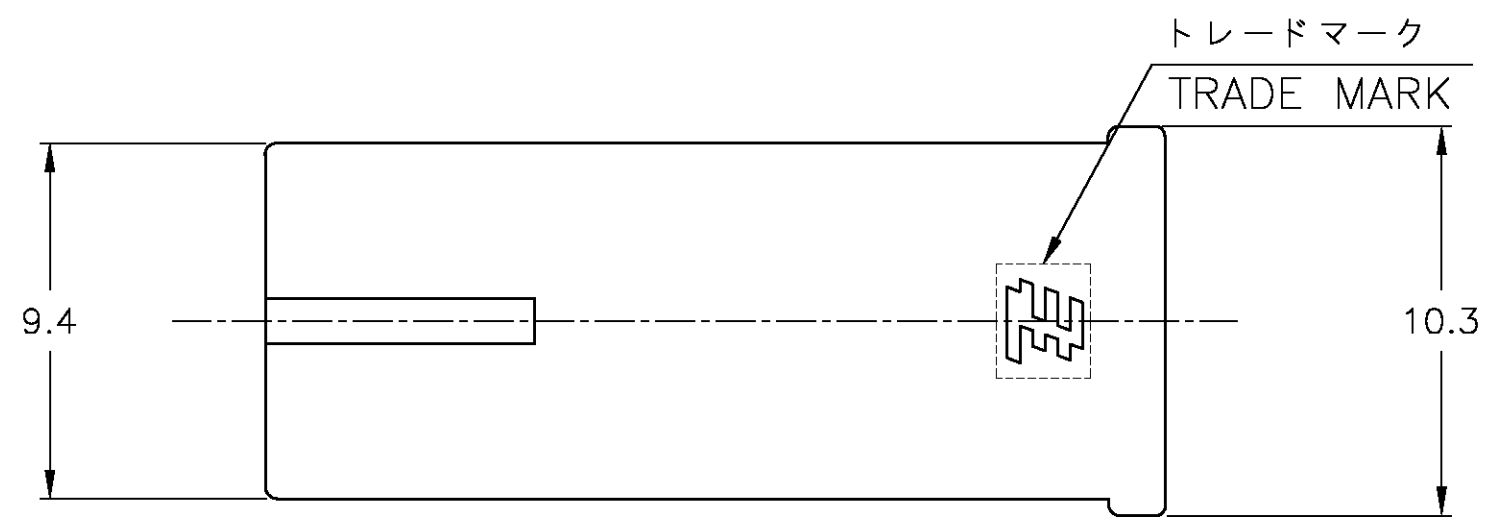
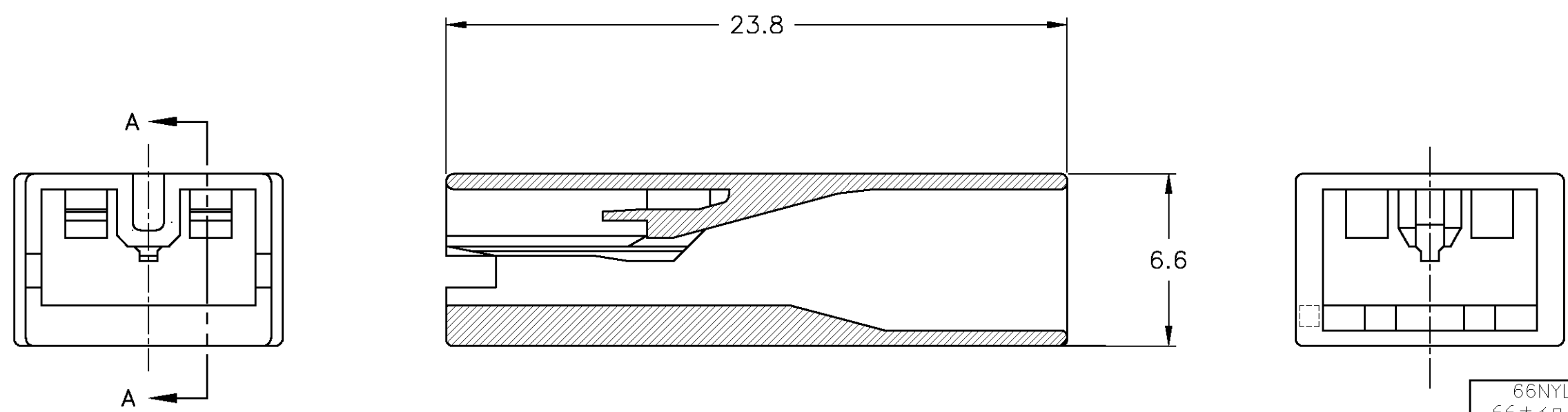


THIS DRAWING IS UNPUBLISHED. RELEASED FOR PUBLICATION JAN , 2002.
 © COPYRIGHT 2002 BY TYCO ELECTRONICS CORPORATION. ALL INTERNATIONAL RIGHTS RESERVED.

LOC	DIST	REVISIONS 変更			
P	LTR	DESCRIPTION	DATE	DWN	APVD
J	/	E	REVISED ECR-10-010452	28MAY2010	T.T T.M
		F	REVISED, ECR-10-007304	03AUG2010	Y.O N.Y



- 1 適用製品規格: 108-5437
- 2 適用コンタクト型番:
179973-X, 179974-X, 179975-X
- 3 取扱説明書: 411-5691
- ⚠ 推奨電線径: AWG#18以上, 被覆外径2.8mm以上
より細い電線をご使用の場合は、電線が変形しないように
コンタクト装着の作業方法をご確認ください



66NYLON UL5VA 66ナイロン UL5VA相当	BLUE 青色	⚠1-1318954-6
66NYLON UL5VA 66ナイロン UL5VA相当	NATURAL 自然色	⚠1-1318954-1
66NYLON UL94V-0 66ナイロン UL94V-0	BLUE 青色	1318954-6
66NYLON UL94V-0 66ナイロン UL94V-0	NATURAL 自然色	1318954-1
MATERIAL 材料	COLOR 色調	PART NUMBER 型番

- 1 PRODUCT SPEC: 108-5437
- 2 APPLICABLE CONTACT:
179973-X, 179974-X, 179975-X
- 3 INSTRUCTION SHEET: 411-5691
- ⚠ RECOMMENDED WIRE
AWG: #18 OR THICKER
INSULATION DIAMETER: 2.8mm OR THICKER
IN THE CASE THAT ABOVE WIRE IS NOT USED,
PLEASE CONSIDER HOW TO INSERT CONTACT INTO HOUSING
WITHOUT WIRE DEFORMATION

THIS DRAWING IS A CONTROLLED DOCUMENT.		DWN T.HATANO 15JAN2002	Tyco Electronics Corporation Kawasaki, Japan	
DIMENSIONS: 単位: 耗 mm		CHK A.OISHI 15JAN2002	NAME 名称 250 SERIES POSITIVE LOCK EX-II 1 POS REC HOUSING SHROUD TYPE	
TOLERANCES UNLESS OTHERWISE SPECIFIED: 一般公差		APVD M.SHINDO 15JAN2002	PRODUCT SPEC 製品規格 SEE NOTE	
0 PLC ± ≤10:±0.2		APPLICATION SPEC 取付適用規格		
1 PLC ± 10< ≤30:±0.25		SIZE A3		
2 PLC ± 30< ≤100:±0.3		CAGE CODE 00779		
3 PLC ±		DRAWING NO C-1318954		
4 PLC ±		RESTRICTED TO		
ANGLES ±3'		SCALE 尺度 5:1		
MATERIAL 材料 SEE TABLE	FINISH 仕上	SHEET 1 OF 1		
CUSTOMER DRAWING		REV F		

单击下面可查看定价，库存，交付和生命周期等信息

[>>TE Connectivity\(泰科\)](#)