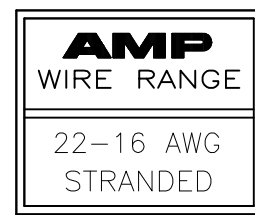
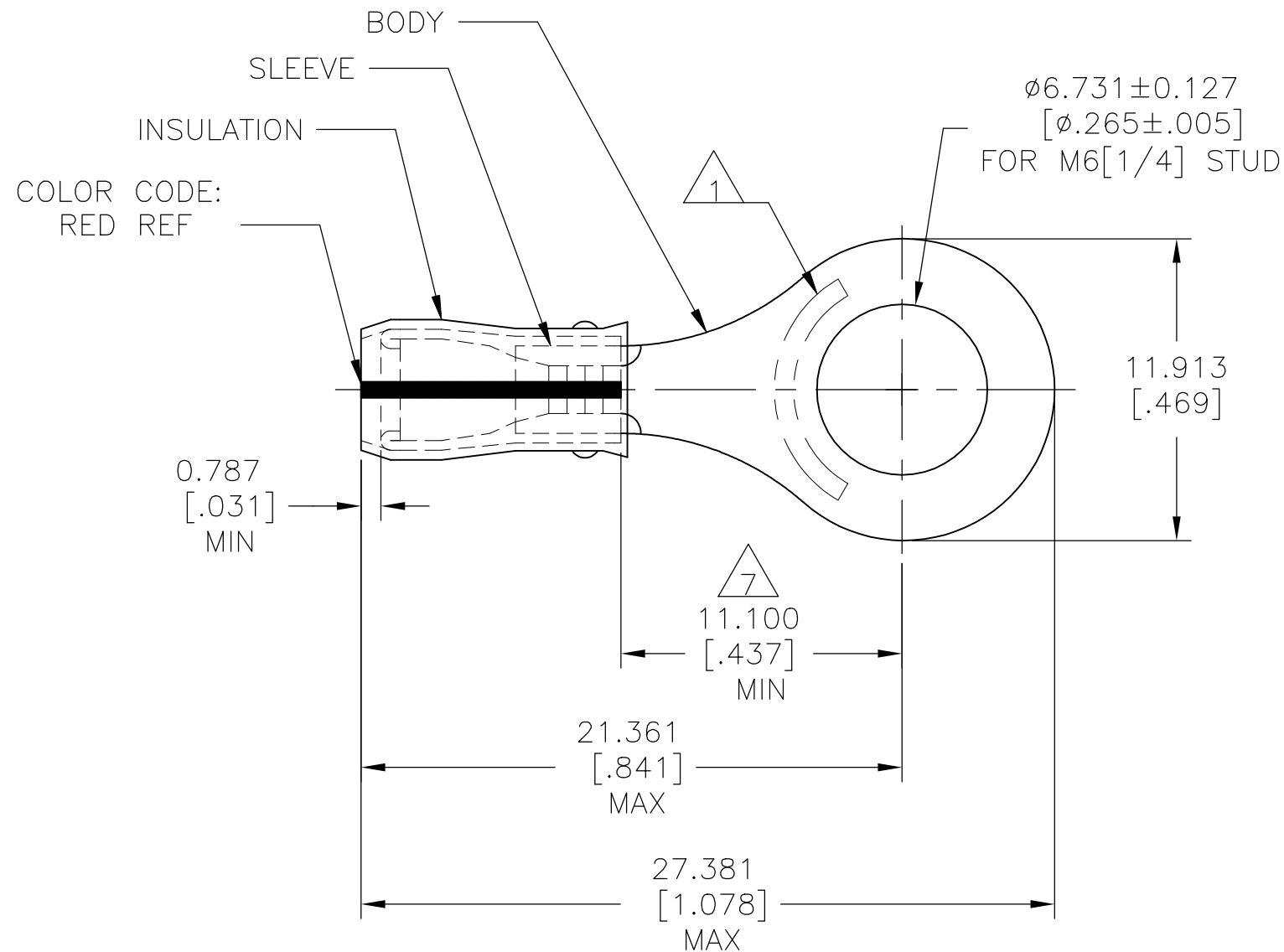


P	LTR	DESCRIPTION	DATE	DWN	APVD
	P2	REVISED PER ECO-12-007718	07MAY12	KH	DR
	P3	REVISED PER ECO-17-008114	30MAY2018	RS	DR



- 1 STAMP AMP 22-18* APPROX AS SHOWN
22-16 TERMINALS ARE STAMPED 22-18 IN ACCORDANCE WITH MILITARY SPEC SAE AS7928
COMMERCIAL WIRE RANGE IS 22-16
- 2 WIRE INSULATION DIA: 2.032-3.175 [.080-.125]
- 3 BODY MATERIAL THK: 0.787±0.051 [.031±.002]
- 4 FINISH: BODY & SLEEVE:
TIN/LEAD (93-7) PLATE PER ASTM B545
(3% MIN LEAD CONTENT)
INSULATION: COLOR-NATURAL
- 5 NOTE DELETED
- 6 MATERIAL:
BODY & SLEEVE: CU PER ASTM B152
INSULATION: PVF2
- 7 APPLIES FROM EDGE OF METAL WIRE BARREL TO CENTER OF STUD HOLE

M7928/4-150, CLASS 2	4	5000	ON TAPE, REEL	53410-2
M7928/4-150, CLASS 1 & 2 M7928/13-150, CLASS 1 & 2	4	1000	LOOSE PIECE	53410-1
MILITARY P/N & CLASS	FINISH	QTY	PACKAGE TYPE	PART NO.

AMP INCORPORATED CUSTOMER SERVICE SYSTEMS		MAX RECOMMENDED OPERATING TEMPERATURE: 150°C [302°F] MAX	THIS DRAWING IS A CONTROLLED DOCUMENT.		DWN DK SCHRUM 06/16/93	TE Connectivity Ltd.				
FOR ADDITIONAL PRODUCT INFORMATION OR COPIES OF DRAWINGS AND TECHNICAL DOCUMENTS	PRODUCT INFORMATION CENTER 1-800-522-6752	VOLTAGE RATING: N/A	DIMENSIONS: mm [INCHES]	TOLERANCES UNLESS OTHERWISE SPECIFIED:	CHK RE HERSEY 7/6/93					NAME M ELLIS
FOR APPLICATION TOOLING INFORMATION	TOOLING ASSISTANCE CENTER 1-800-722-1111	CIRCULAR MIL AREA: 0.26-1.65mm² [509-3260] STRANDED		0 PLC ± - 1 PLC ± - 2 PLC ± - 3 PLC ± 0.127[.005] 4 PLC ± - ANGLES ± -	APVD M ELLIS 7/6/93	TERMINAL, RING TONGUE, PVF2, PIDG, WIRE SIZE: 22-16 AWG				
FOR ORDER ENTRY	1-800-526-5142	THIS DRAWING IS A CONTROLLED DOCUMENT FOR AMP INCORPORATED. IT IS SUBJECT TO CHANGE AND THE CONTROLLING ENGINEERING ORGANIZATION SHOULD BE CONTACTED FOR THE LATEST REVISION.	MATERIAL 6	FINISH 4	PRODUCT SPEC -	APPLICATION SPEC NOT AVAILABLE	SIZE A3	CAGE CODE 00779	DRAWING NO C-53410	RESTRICTED TO -
			CUSTOMER DRAWING		WEIGHT	SCALE 4:1		SHEET 1 OF 1	REV P3	

单击下面可查看定价，库存，交付和生命周期等信息

[>>TE Connectivity\(泰科\)](#)