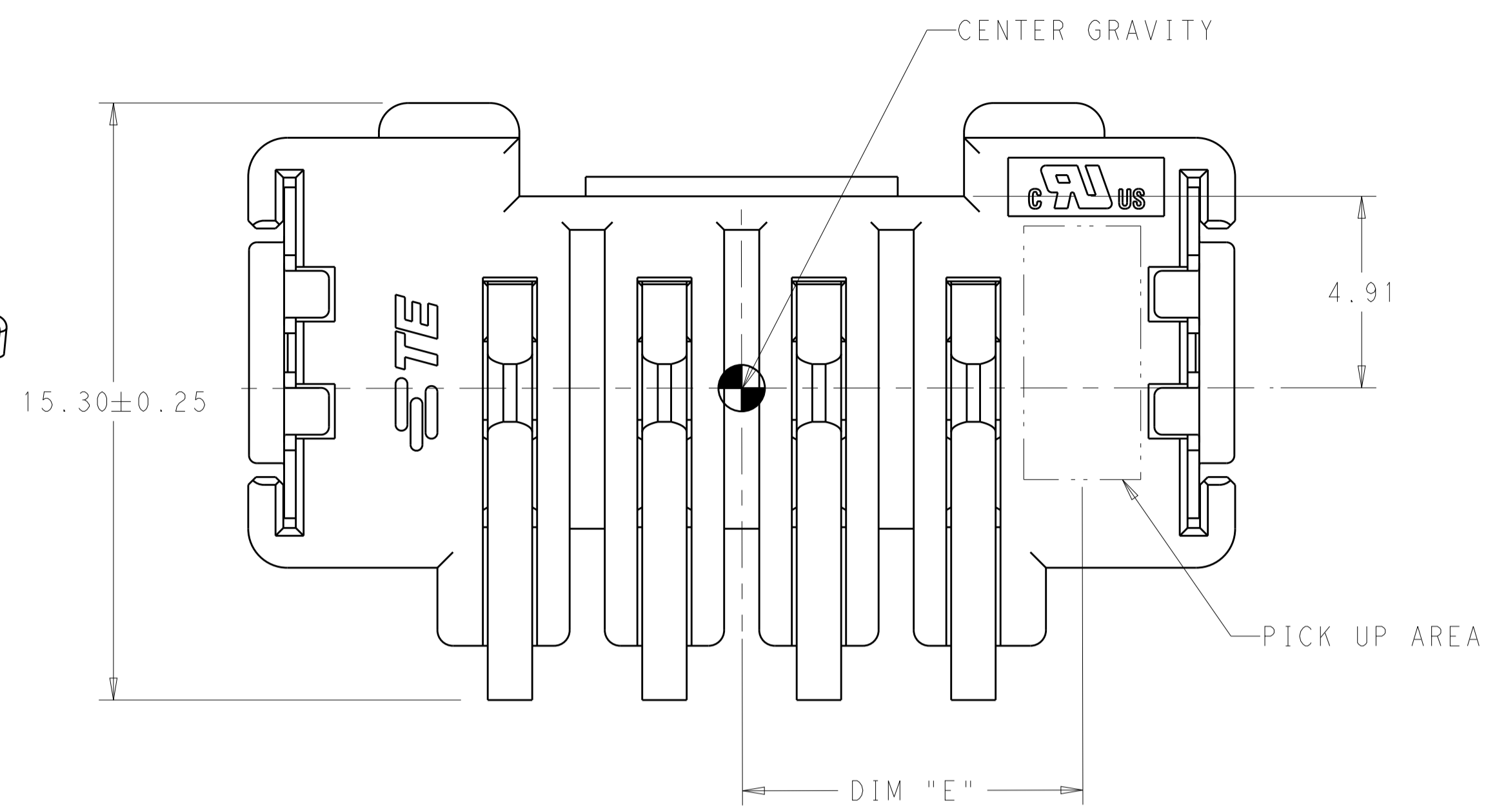
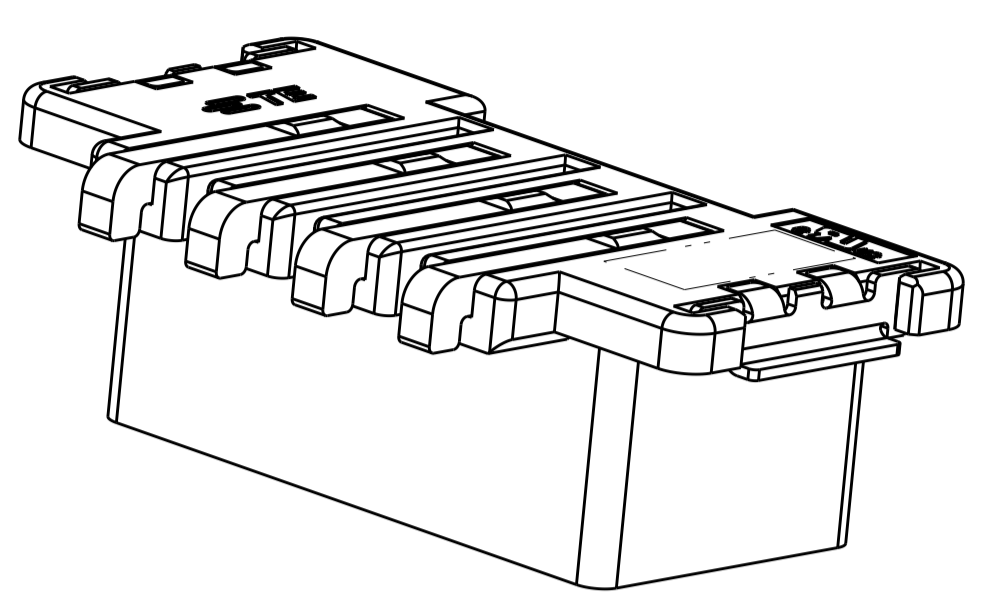
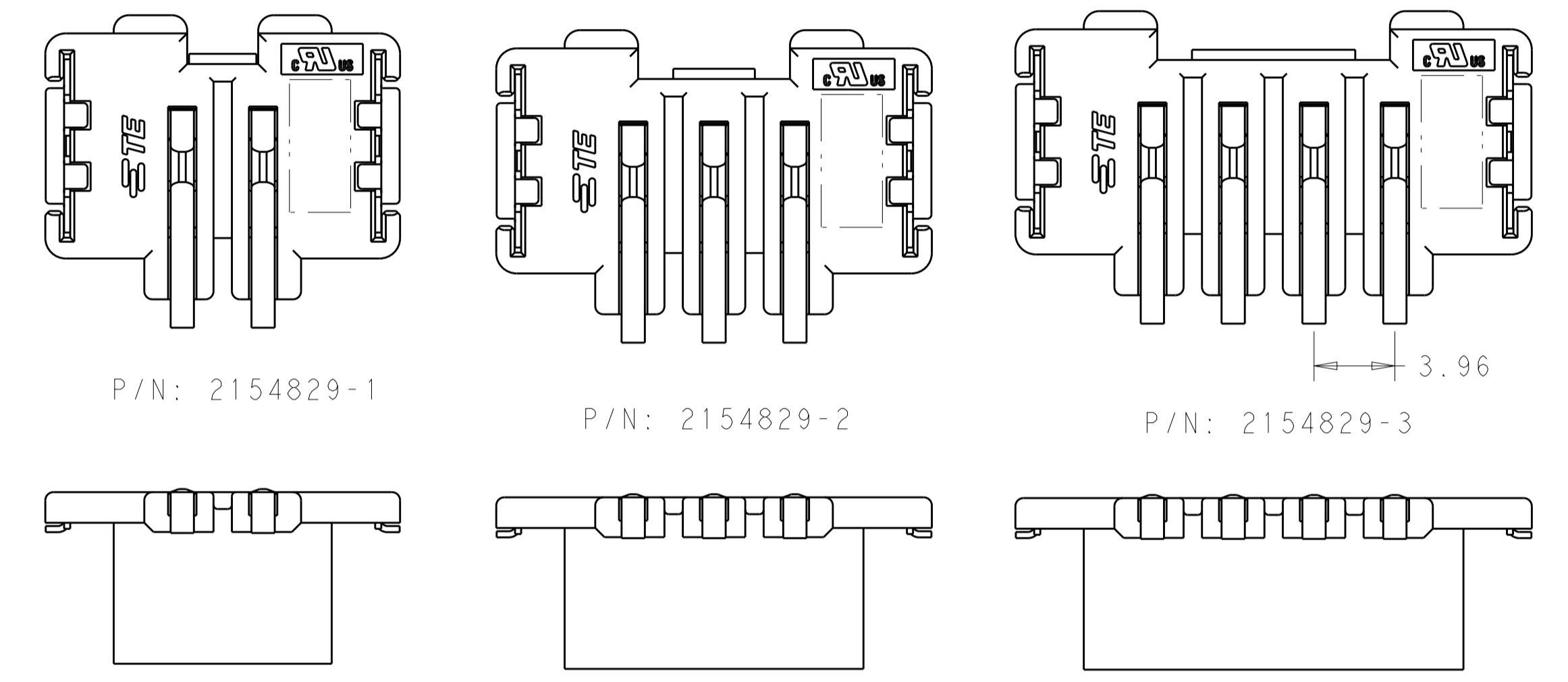
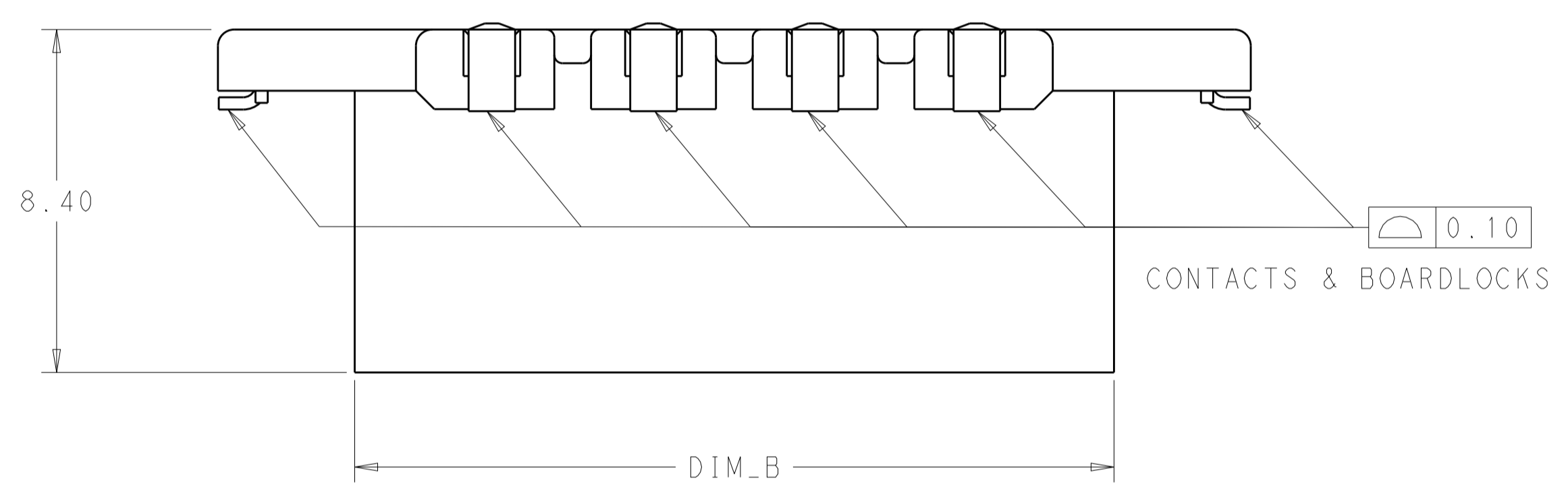
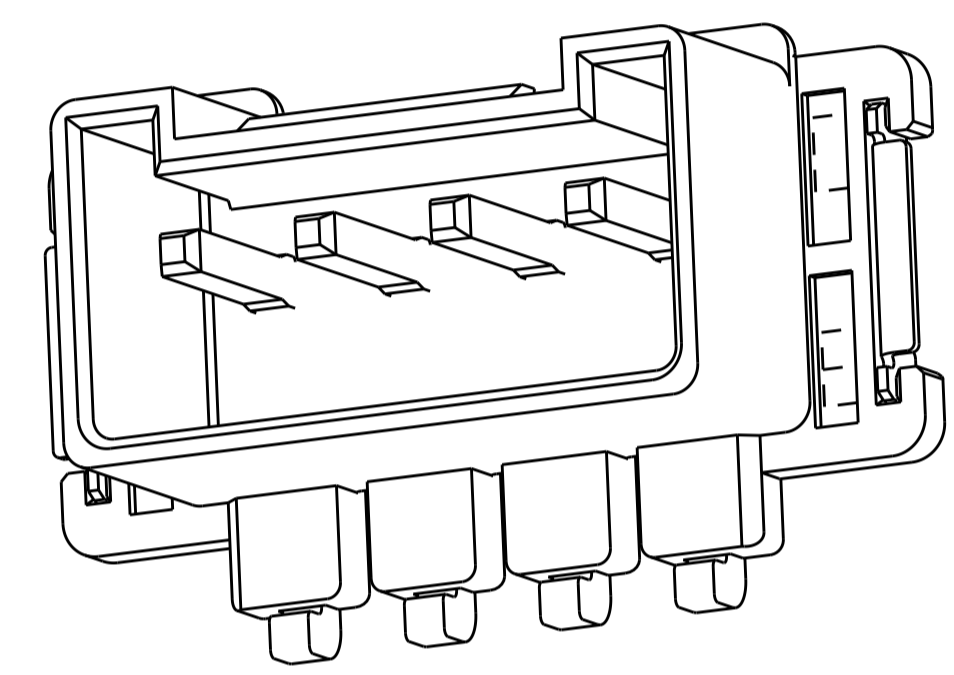


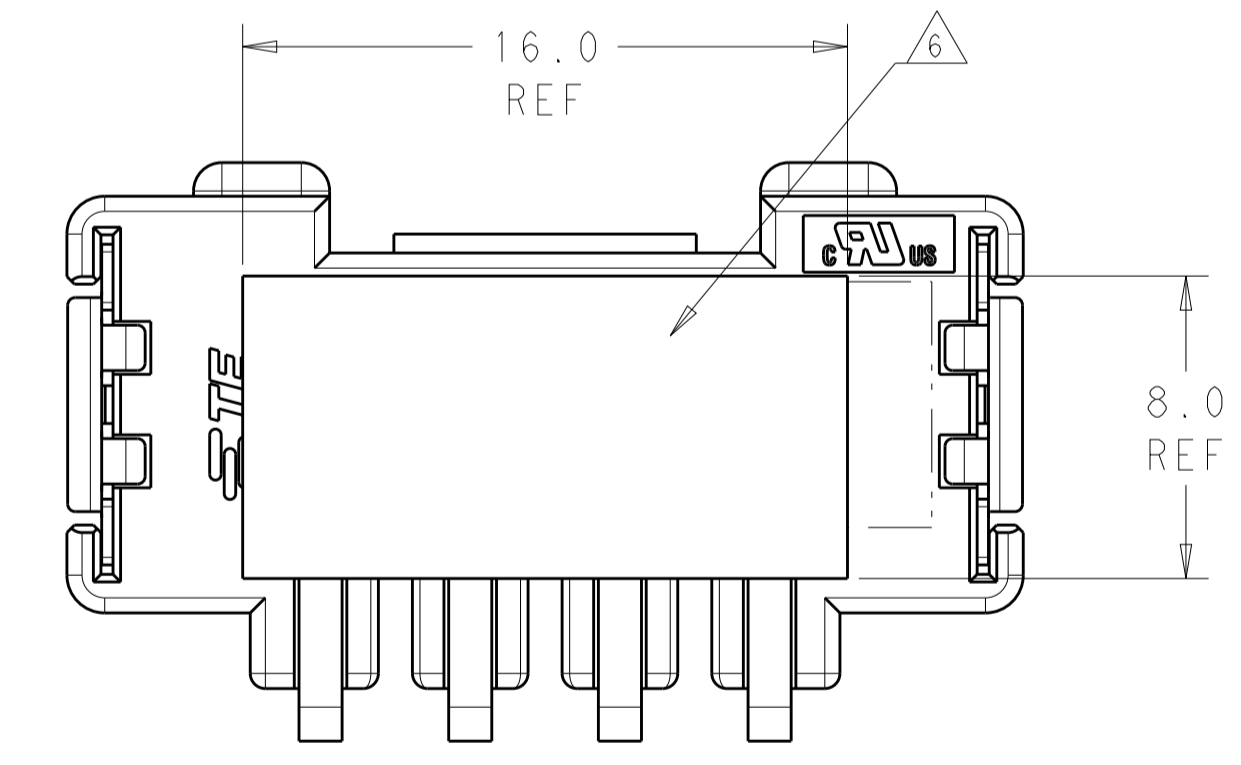
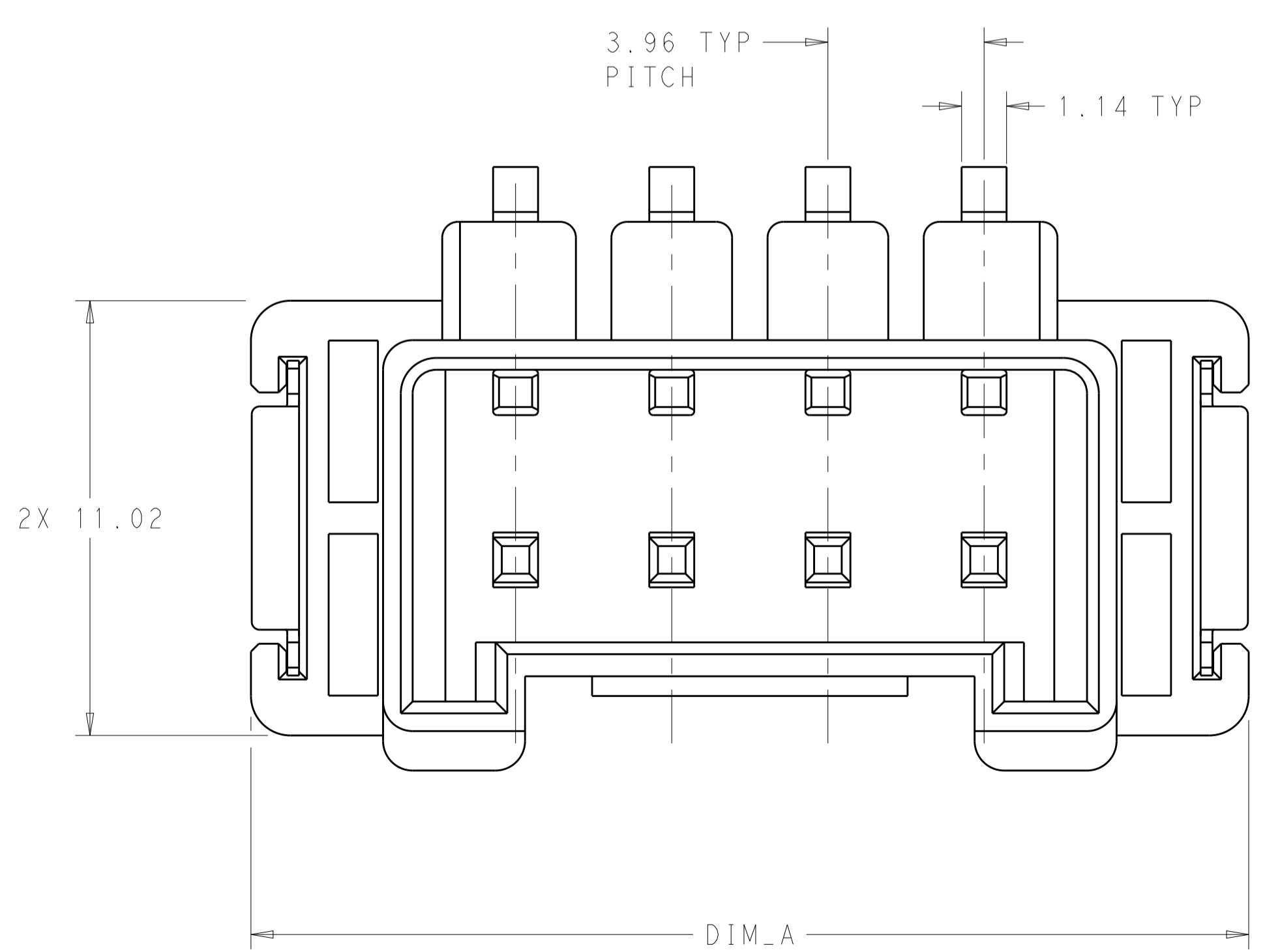
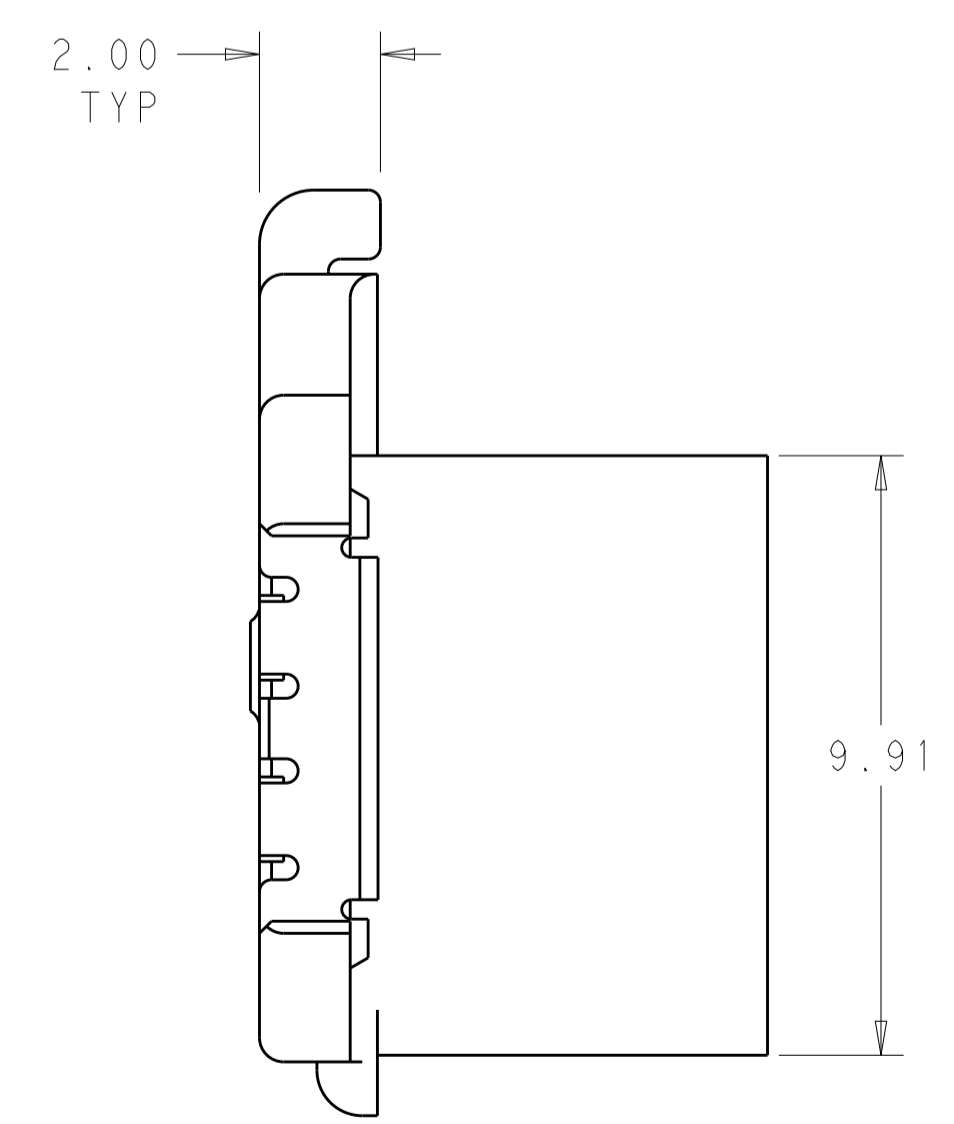
REVISONS		DATE	DWN	APVD
P	LTN	DESCRIPTION		
A1		REVISED PER ECR-18-009294	14JUN2018	JS DD



- MATERIAL AND FINISH:
 -HOUSING: LCP, COLOR: NATURAL
 -CONTACTS: COPPER ALLOY, FINISH: Sn OVER Ni
 -BOARD LOCKS: COPPER ALLOY, FINISH: Sn OVER Ni
 - MUST COMPLY WITH DIRECTIVE 2002/95/EC (ROHS)
 - PACKAGE IN TAPE & REEL PER ETA-48I SPECIFICATIONS
 DIAMETER OF REEL TO BE 330mm.
 - THIS PRODUCT HAS NOT COMPLETED VALIDATION TESTING.
- △ VACUUM PICK UP TAPE



ISOMETRIC VIEW
 (P/N: 2154829-3 SHOWN)



SCALE 8:1

YES	8.73	12.04	19.00	18.60	25.30	4	1-2154829-3
NO	8.73	12.04	19.00	18.60	25.30	4	2154829-3
NO	6.75	10.06	15.00	14.64	21.34	3	2154829-2
NO	4.77	8.08	11.00	10.68	17.38	2	2154829-1
△ TAPE	DIM_E	DIM_D	DIM_C	DIM_B	DIM_A	NO. OF POSN.	PART NUMBER

THIS DRAWING IS A CONTROLLED DOCUMENT. DWN: G. PETERS 01FEB2012
 CHK: C. GINGRICH 01FEB2012

STE TE Connectivity

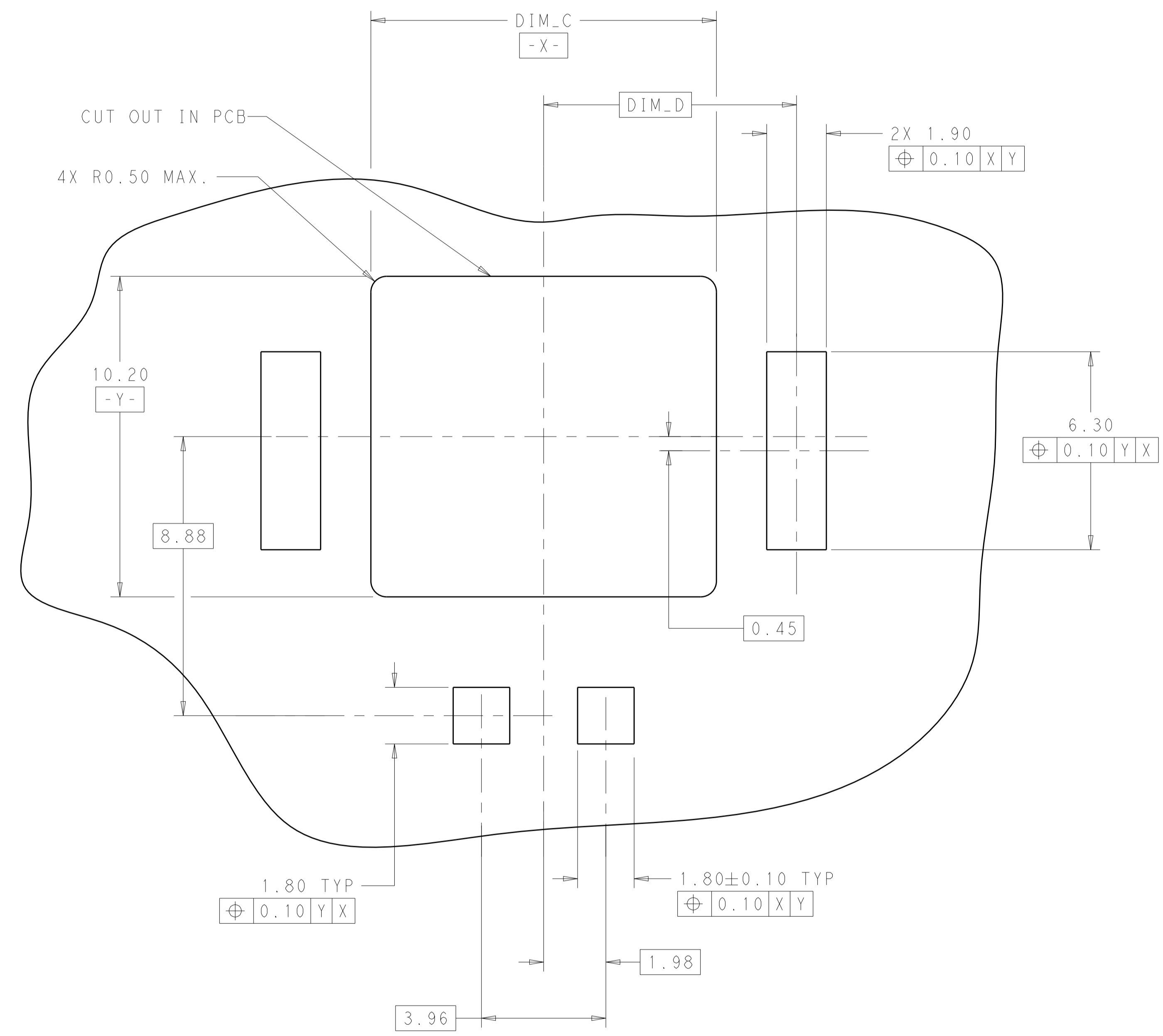
NAME: ASSEMBLY INVERTED THRU BOARD
 2 THRU 4 POSITIONS 3.96 PITCH

PRODUCT SPEC: 108-133000
 APPLICATION SPEC: 114-32030

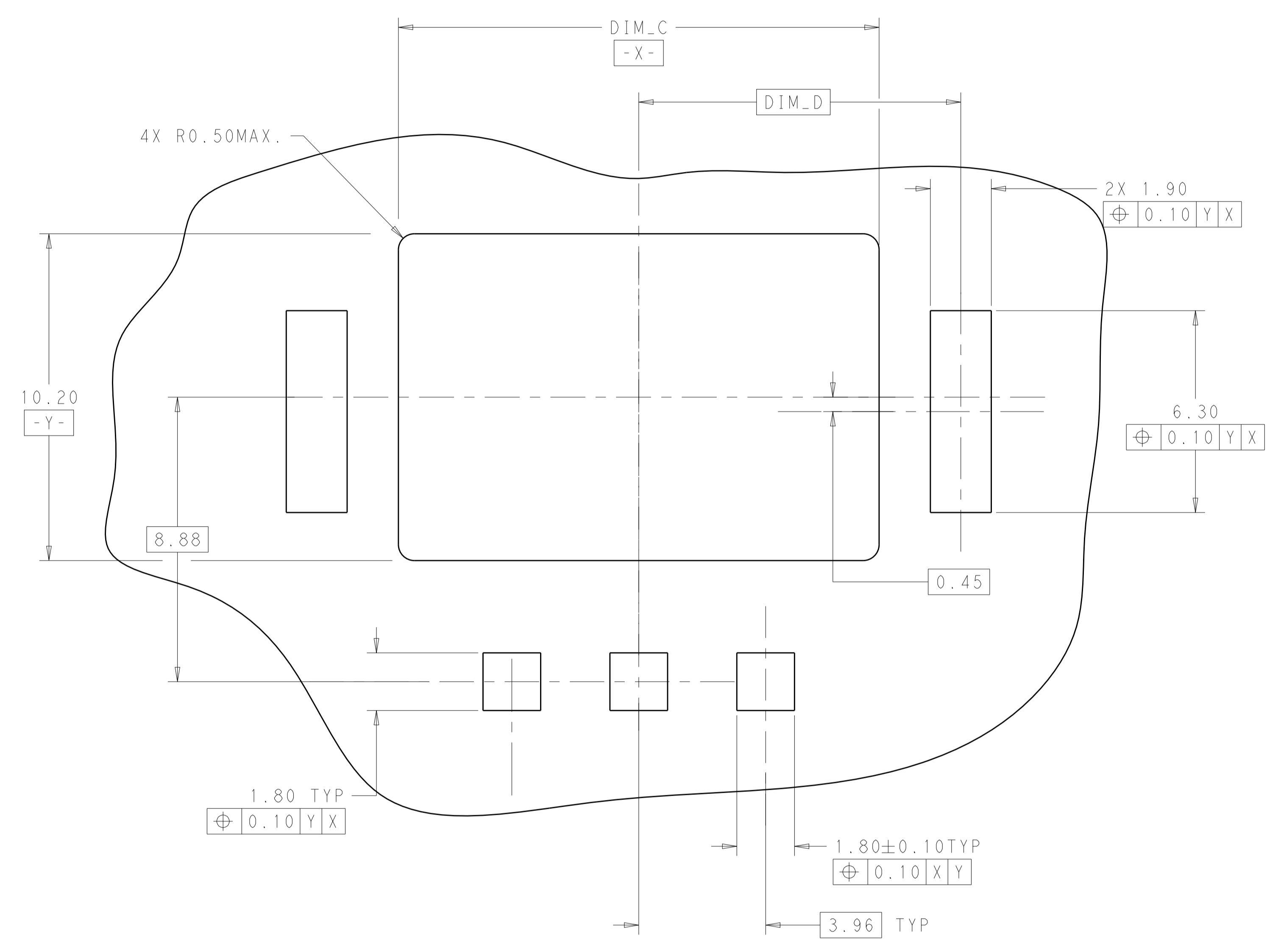
SIZE: A1 CAGE CODE: 00779 DRAWING NO: C=2154829
 WEIGHT: -

Customer Drawing SCALE: 5:1 SHEET 1 OF 3 REV: A1

LOC		DIST		REVISIONS			
P	LTN	DESCRIPTION	DATE	DMN	APVD		
-	-	SEE SHEET 1	-	-	-		



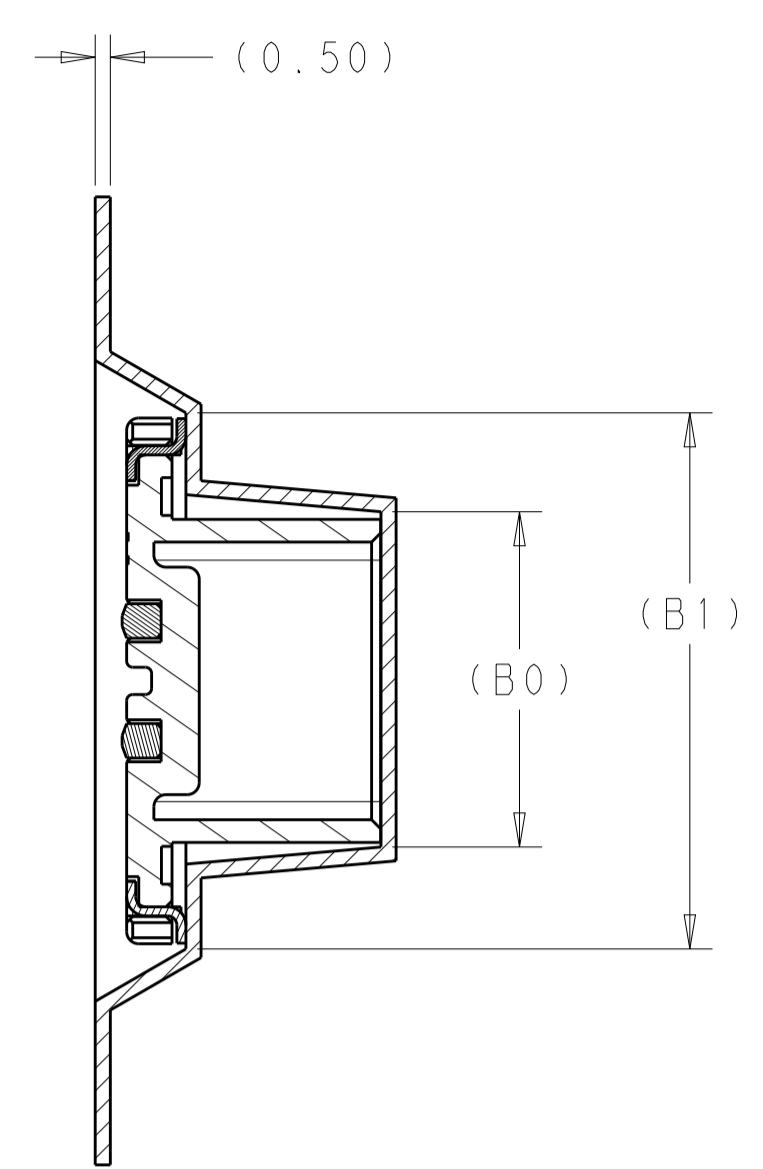
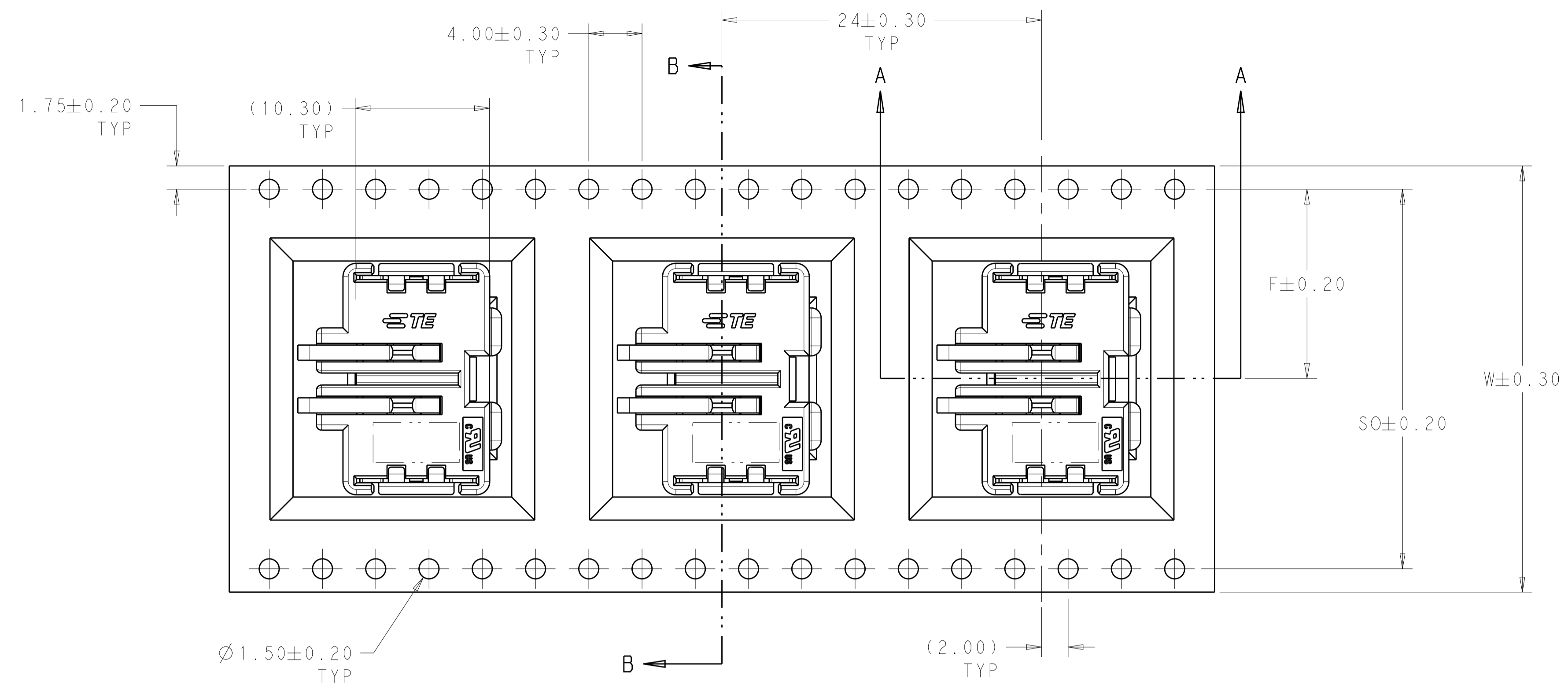
RECOMMENDED PCB LAYOUT
 EVEN NUMBER POSITIONS SHOWN
 SCALE 10:1



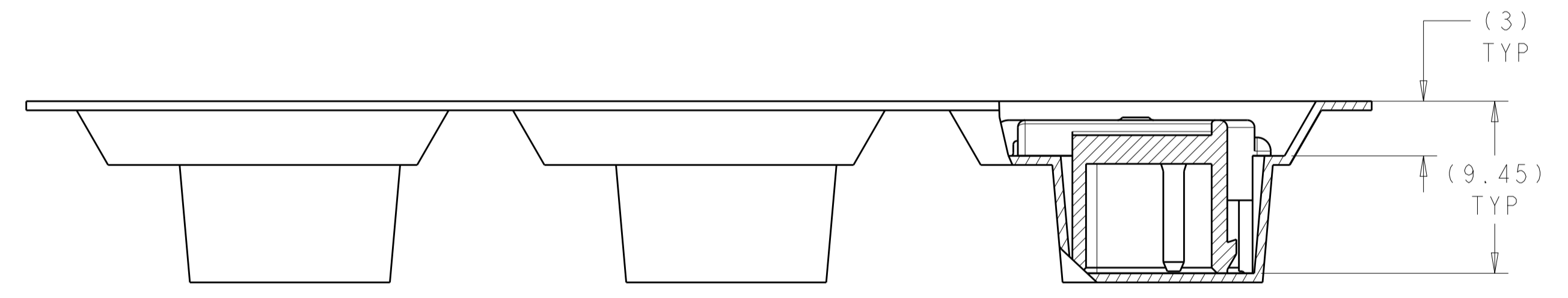
RECOMMENDED PCB LAYOUT
 ODD NUMBER POSITIONS SHOWN
 SCALE 10:1

THIS DRAWING IS A CONTROLLED DOCUMENT.		DMN G. PETERS 01FEB2012	TE Connectivity
DIMENSIONS:		CHK C. GINGRICH 01FEB2012	
mm	TOLERANCES UNLESS OTHERWISE SPECIFIED:	APVD C. GINGRICH	NAME ASSEMBLY INVERTED THRU BOARD
0 PLC ±	1 PLC ±0.13	PRODUCT SPEC 108-133000	2 THRU 4 POSITIONS 3.96 PITCH
2 PLC ±	3 PLC ±	APPLICATION SPEC 114-32030	SIZE CAGE CODE DRAWING NO RESTRICTED TO
4 PLC ±	ANGLES ±	WEIGHT	A100779C=2154829
MATERIAL	FINISH	Customer Drawing	SCALE 1:1 SHEET 2 OF 3 REV A1

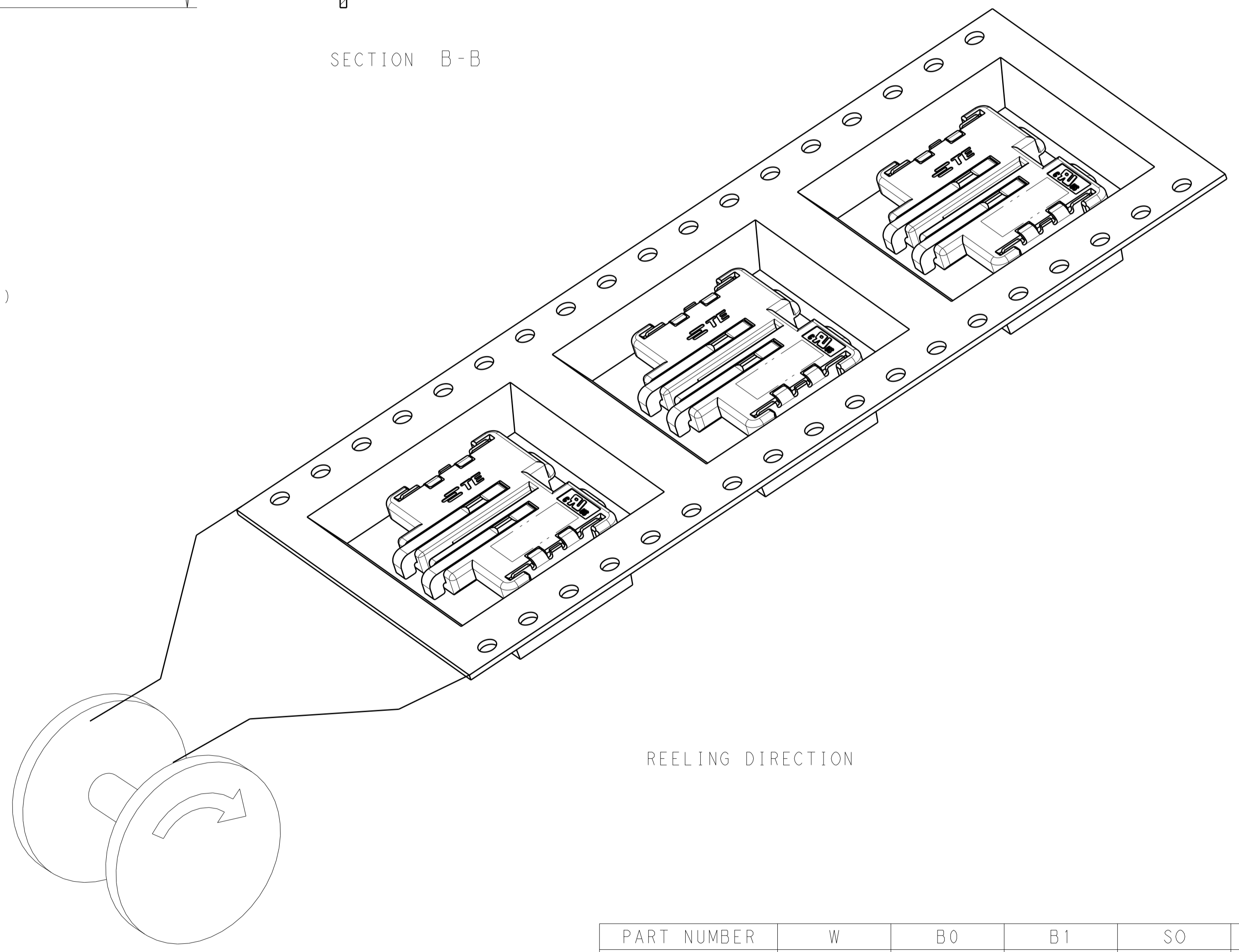
LOC		DIST		REVISIONS			
				DESCRIPTION	DATE	DWN	APVD
				SEE SHEET 1			



SECTION B-B



SECTION A-A



REELING DIRECTION

PART NUMBER	W	B0	B1	SO	F
2154829-1	32.0	11.1	18.3	28.5	14.2
2154829-2	44.0	15.06	22.26	40.5	20.2
2154829-3	44.0	19.02	26.22	40.5	20.2

THIS DRAWING IS A CONTROLLED DOCUMENT.		DWN: G. PETERS 01FEB2012	TE Connectivity
TOLERANCES UNLESS OTHERWISE SPECIFIED:		CHK: C. GINGRICH 01FEB2012	
DIMENSIONS:	mm	APVD: C. GINGRICH	NAME: ASSEMBLY INVERTED THRU BOARD
0 PLC	±	PRODUCT SPEC	2 THRU 4 POSITIONS 3.96 PITCH
1 PLC	±0.13	108-133000	
2 PLC	±	APPLICATION SPEC	
3 PLC	±	114-32030	
4 PLC	±	WEIGHT	
ANGLES	±	Customer Drawing	
MATERIAL		SCALE: 1:1	SHEET 3 OF 3
FINISH		REV: A1	

单击下面可查看定价，库存，交付和生命周期等信息

[>>TE Connectivity\(泰科\)](#)