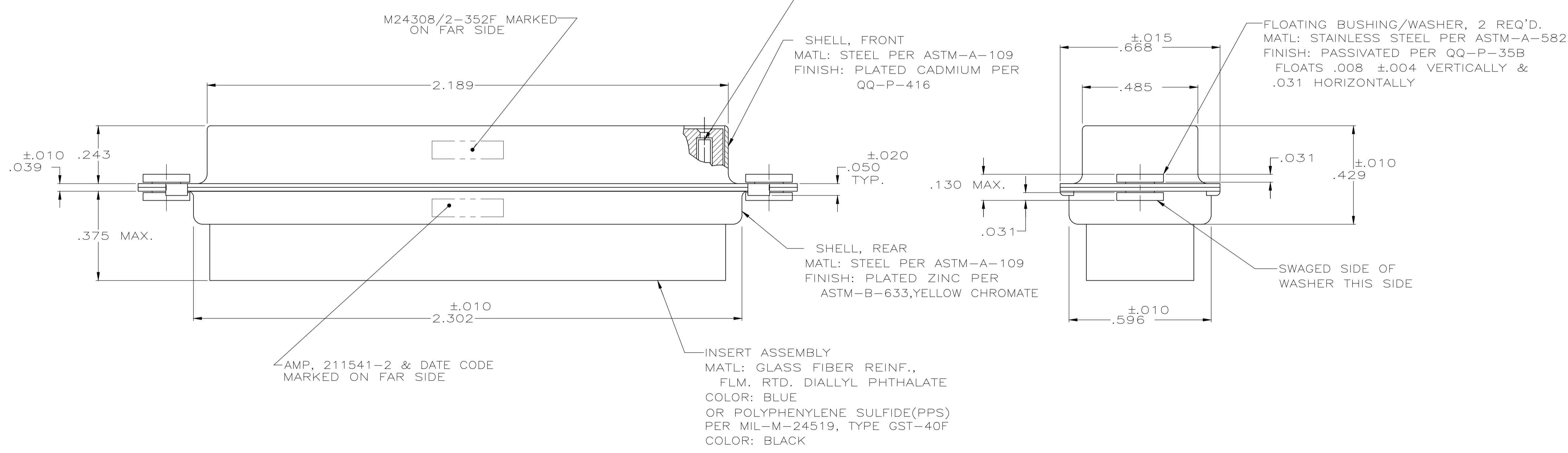
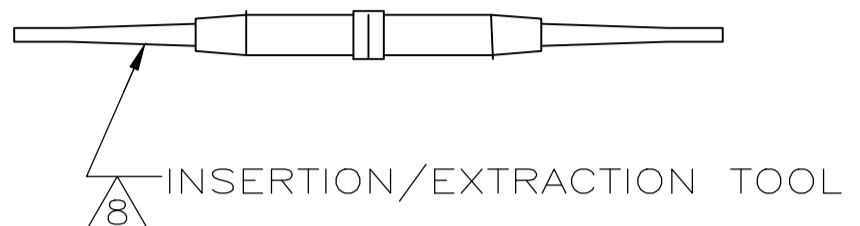
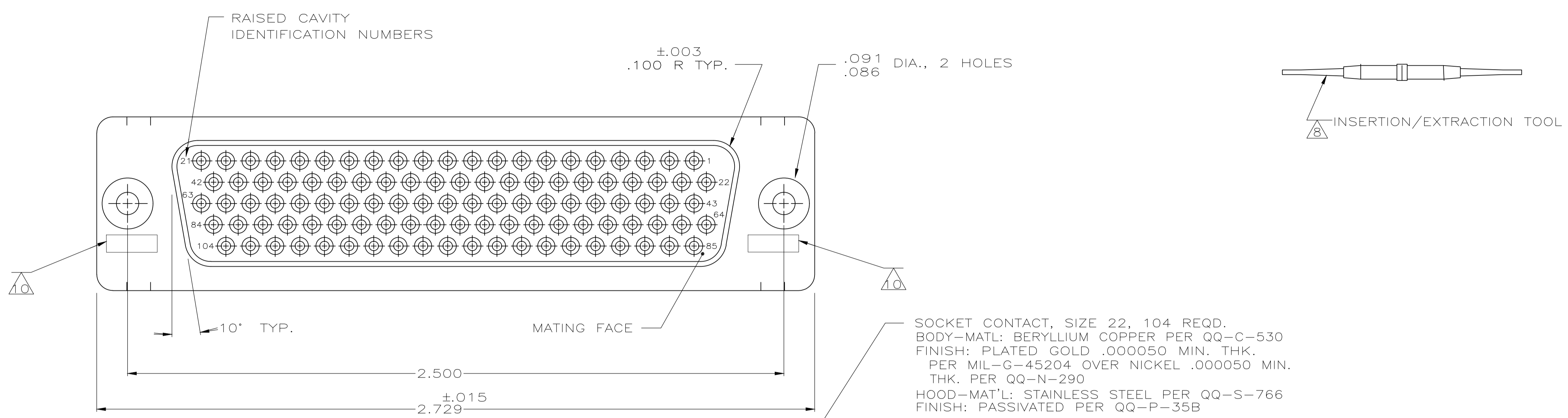


REVISIONS					
P	LTR	DESCRIPTION	DATE	DMN	APVD
G		REVISED PER ECO-19-013888	8-31-20	CT	DM



1. THIS RECEPTACLE WILL MATE WITH ANY 104 POSN., SIZE 6 PLUG IN AMPLIMITE SERIES.
2. MAXIMUM WIRE INSULATION TO BE USED WITH THIS RECEPTACLE IS .054 DIA.
3. SST RETENTION CLIPS ARE INCLUDED IN INSERTS.

- ④ PACKAGE STAMPED M24308/2-492F & AMP P/N 211541-1
- ⑤ PACKAGE STAMPED M24308/2-352F & AMP P/N 211541-2
- ⑥ PACKAGE STAMPED M24308/2-363F & AMP P/N 211541-3
- ⑦ AMP P/N 204351-1; MIL P/N 57-354, INCLUDED IN KIT
- ⑧ AMP P/N 91067-1; MIL P/N M81969/1-04
- ⑨ CONNECTOR SUPPLIED WITHOUT CONTACTS; SHOWN FOR ILLUSTRATION ONLY.
- ⑩ UL/CSA DESIGNATION STAMPED IN THIS AREA, OPTIONAL

SUPSD BY 204546-2 & 91067-1	SAME AS -1 EXCEPT: ⑥ ⑦ ⑧	211541-3
	SAME AS -1 EXCEPT: ⑤ ⑦	211541-2
	AS SHOWN	211541-1
DESCRIPTION		PART NO

THIS DRAWING IS A CONTROLLED DOCUMENT.		DIN D. ERDMAN 7/17/85	TE Connectivity	
DIMENSIONS: INCHES		CHK R. GRZYBOWSKI 9-20-85	NAME L. ROPIER 9-20-85	
TOLERANCES UNLESS OTHERWISE SPECIFIED:		PRODUCT SPEC		
0. PLC ± -		APPLICATION SPEC		
1. PLC ± -		SIZE A1		
2. PLC ± -		WEIGHT 0.000000		
3. PLC ± -.005		CUSTOMER DRAWING		
4. PLC ± -		SCALE NTS		
ANGLES ± 0°30'		SHEET 1 OF 1		
MATERIAL SEE CALLOUT		REV G		
FINISH SEE CALLOUT		DRAWING NO 00779		
		PART NO 211541		

单击下面可查看定价，库存，交付和生命周期等信息

[>>TE Connectivity\(泰科\)](#)